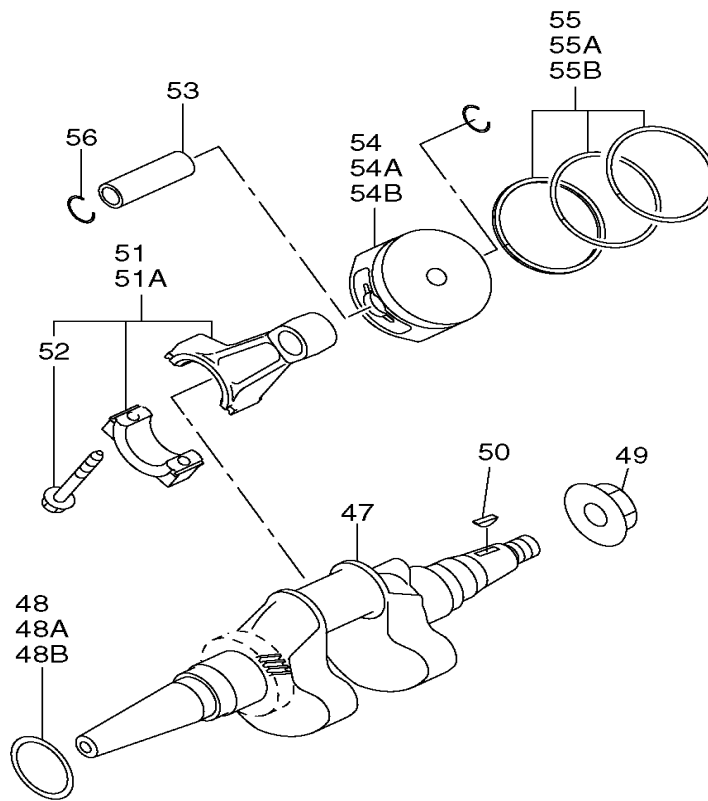
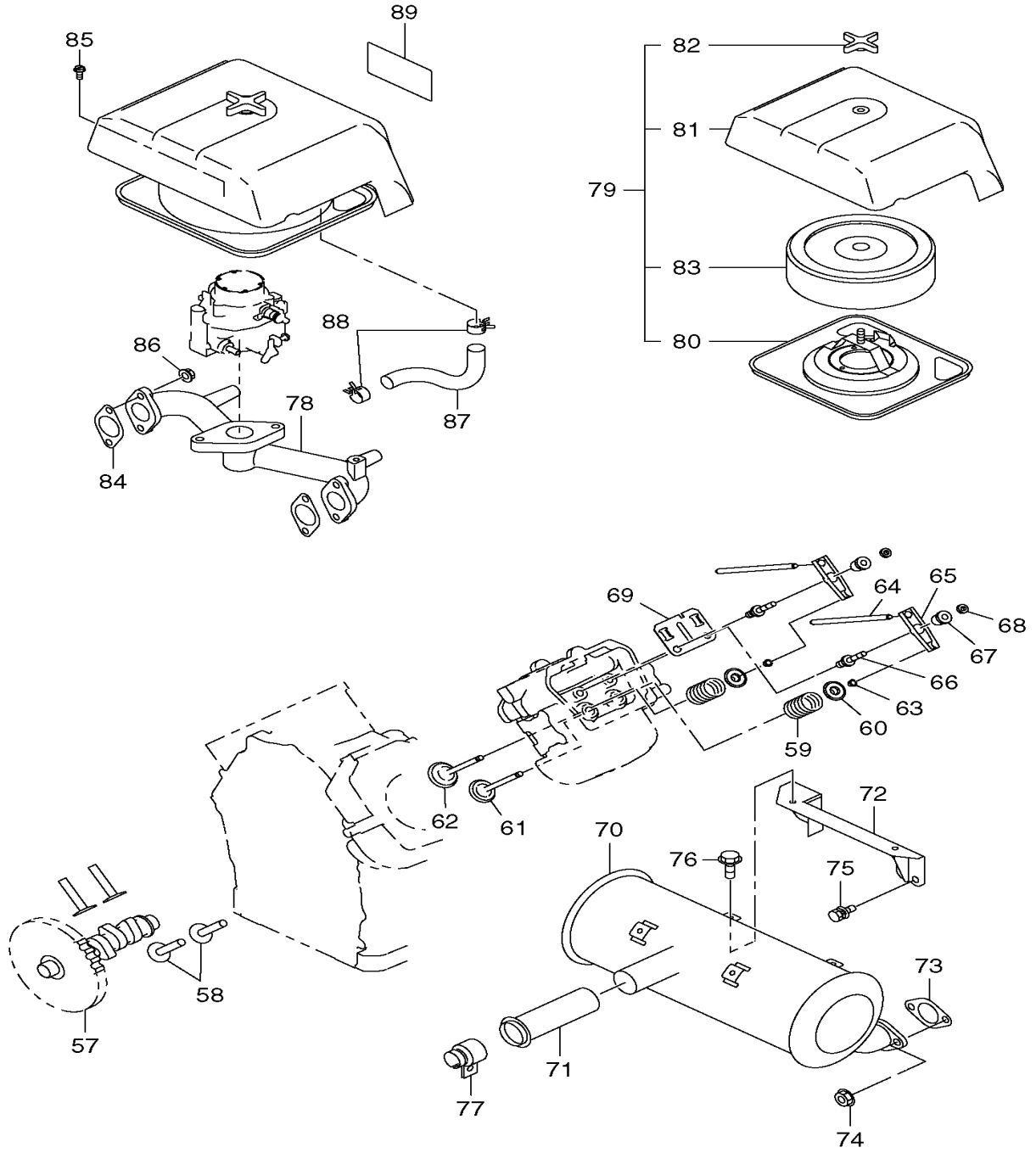
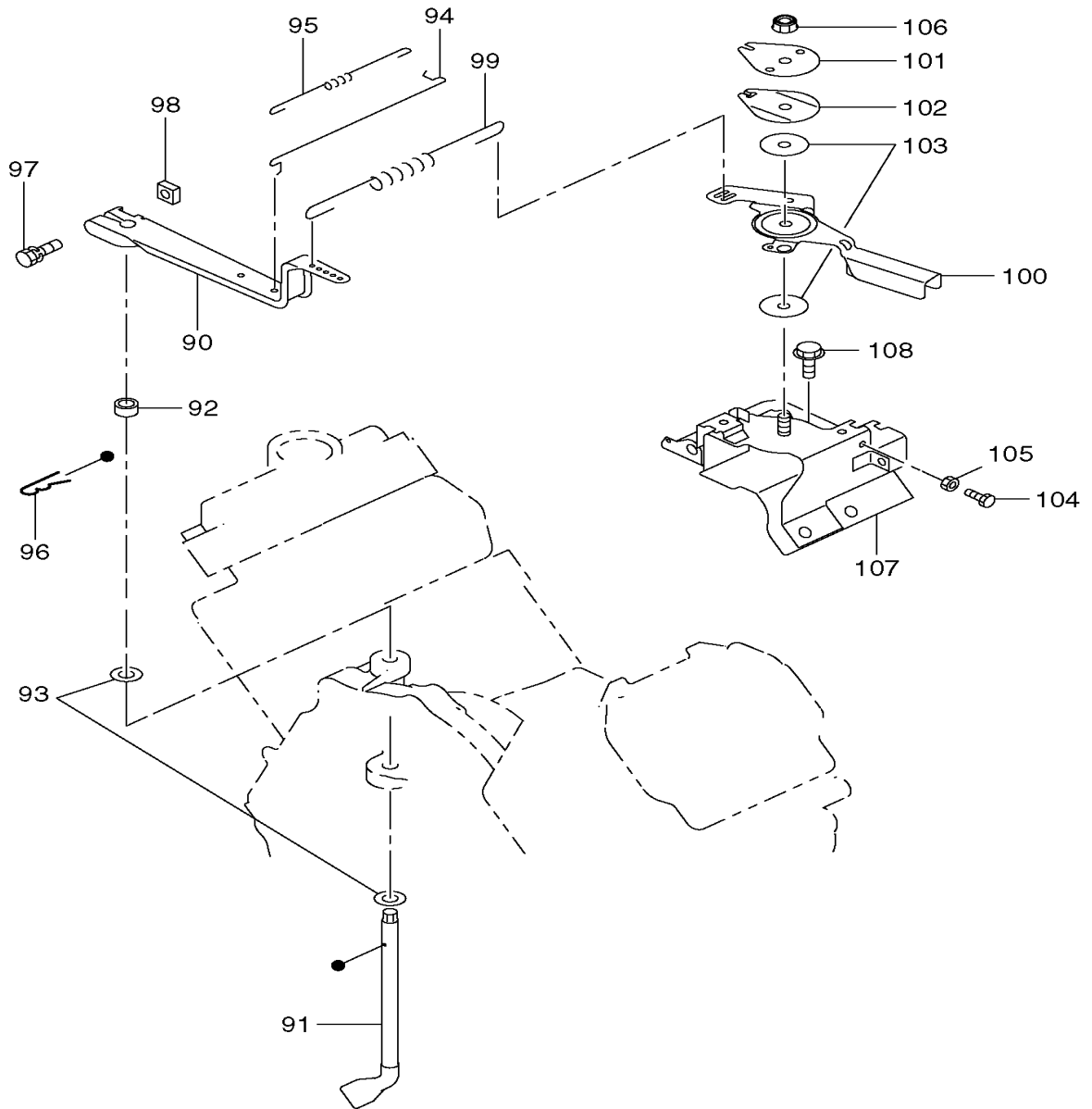
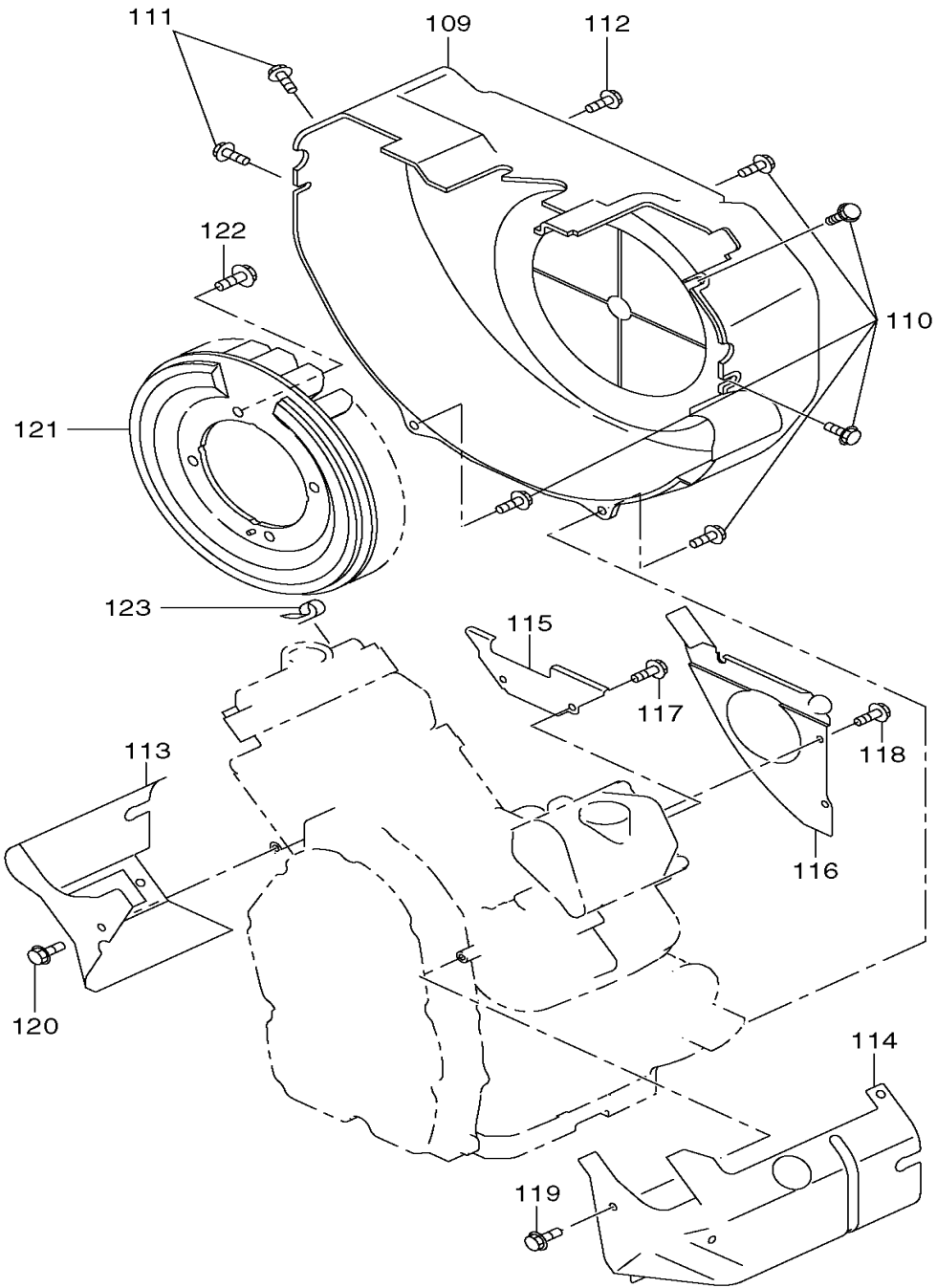


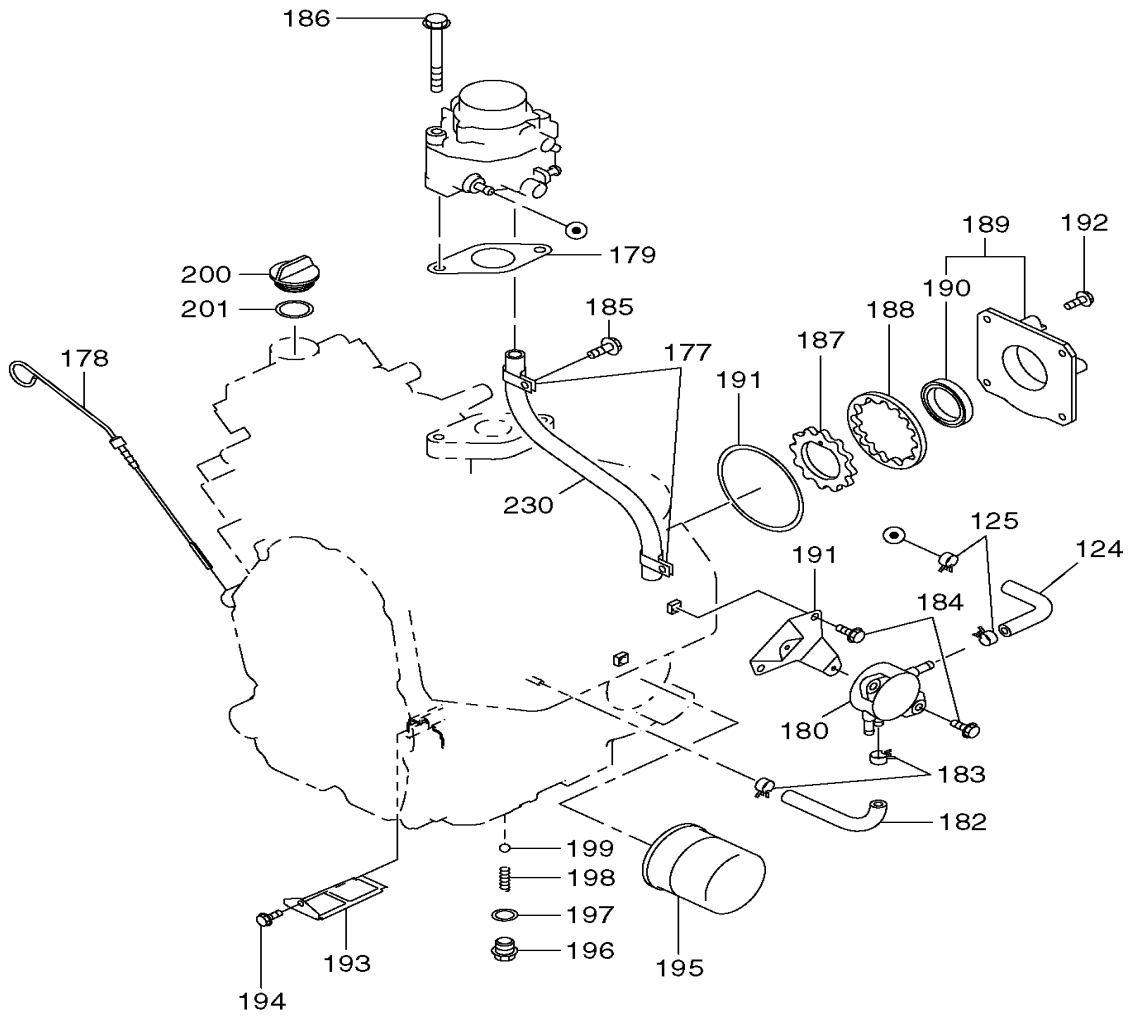
46 - GASKET SET
 INC. 18.29.33.34.38.44.73.
 84.179.197

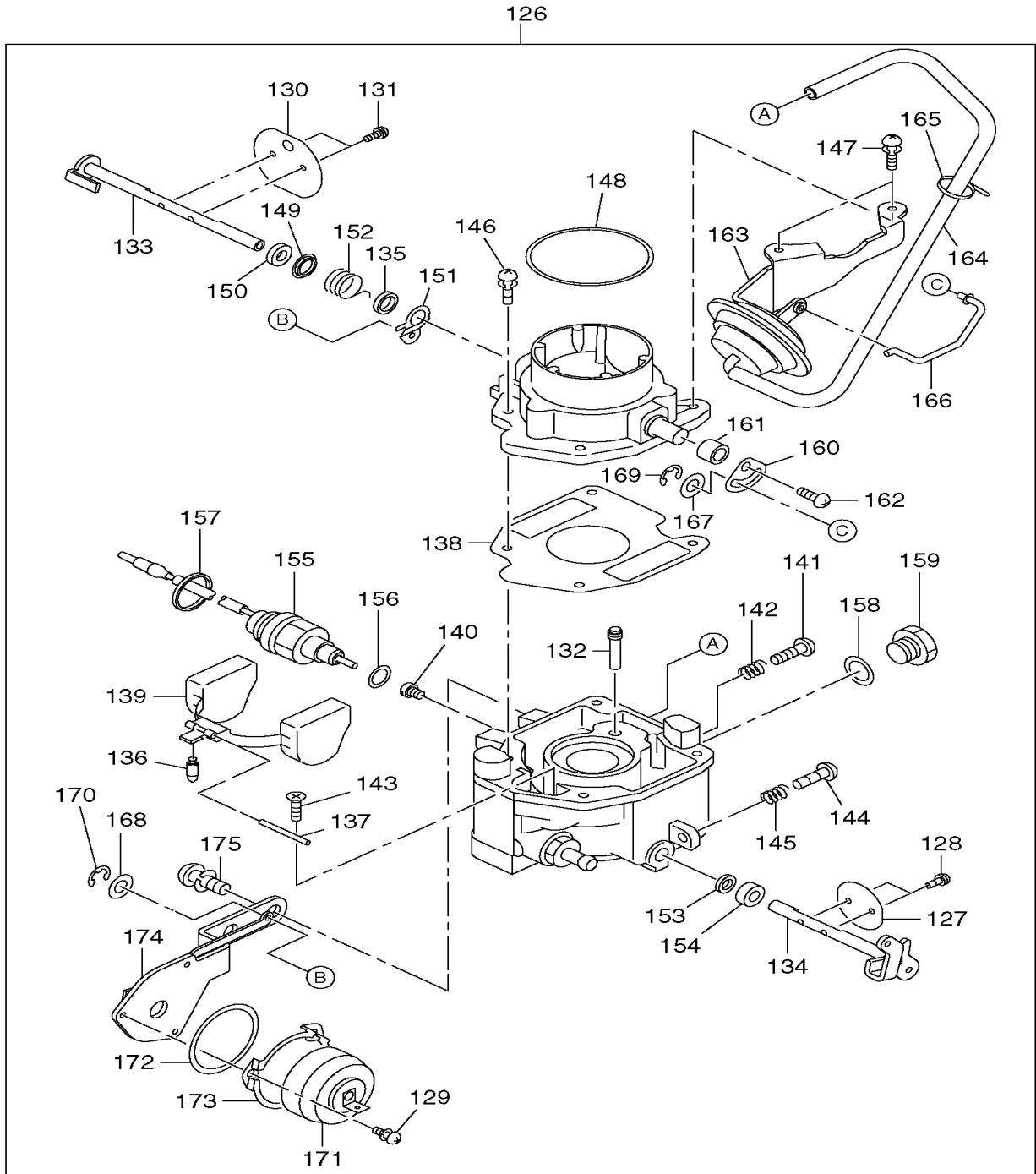


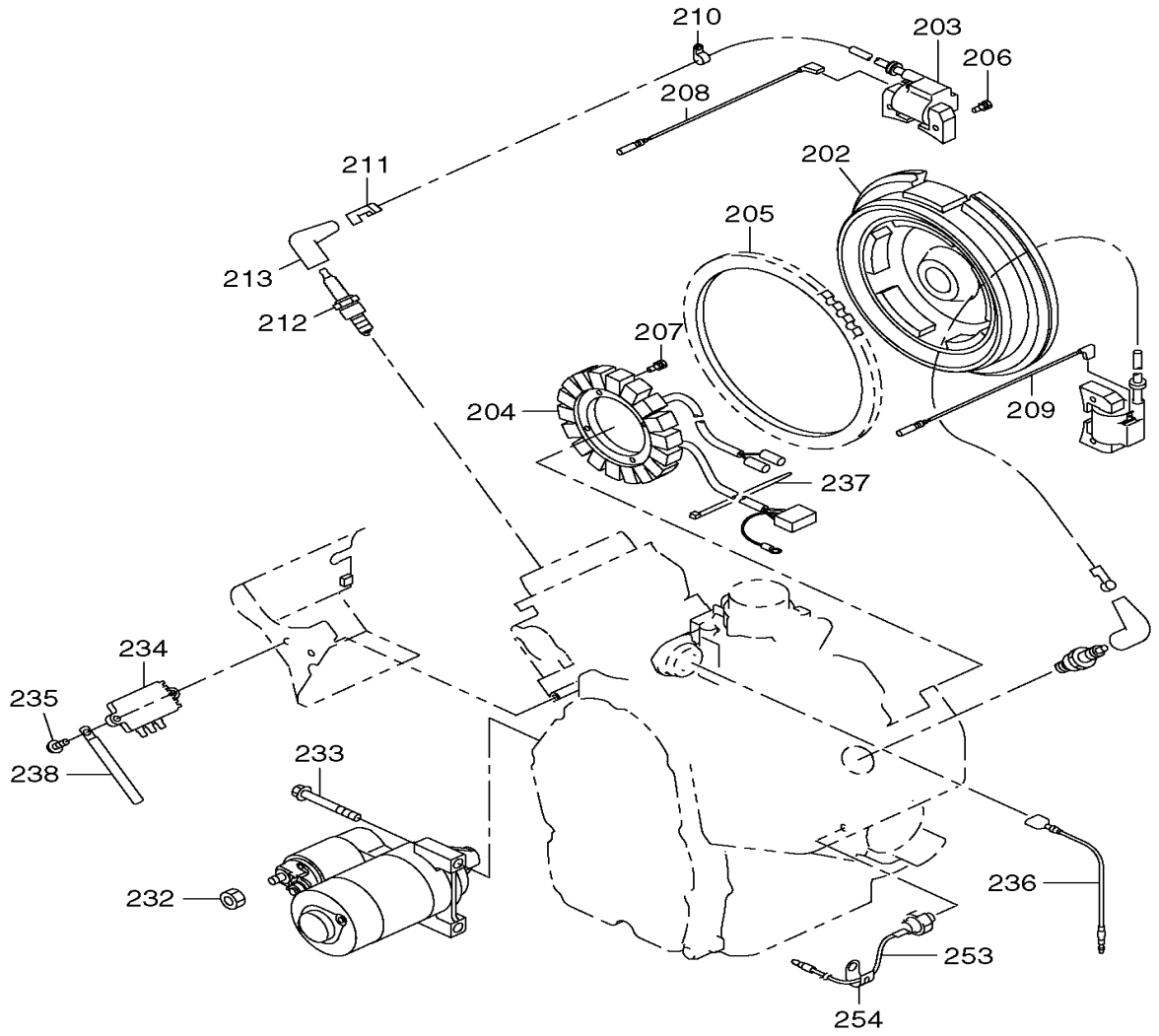


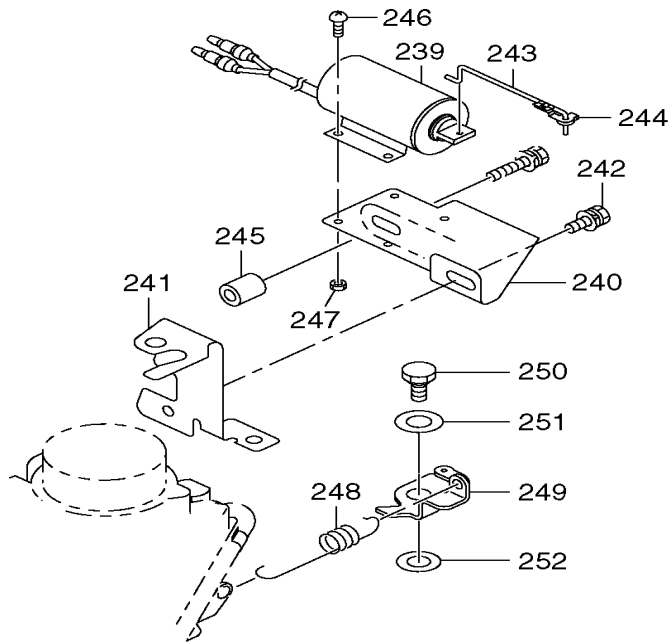
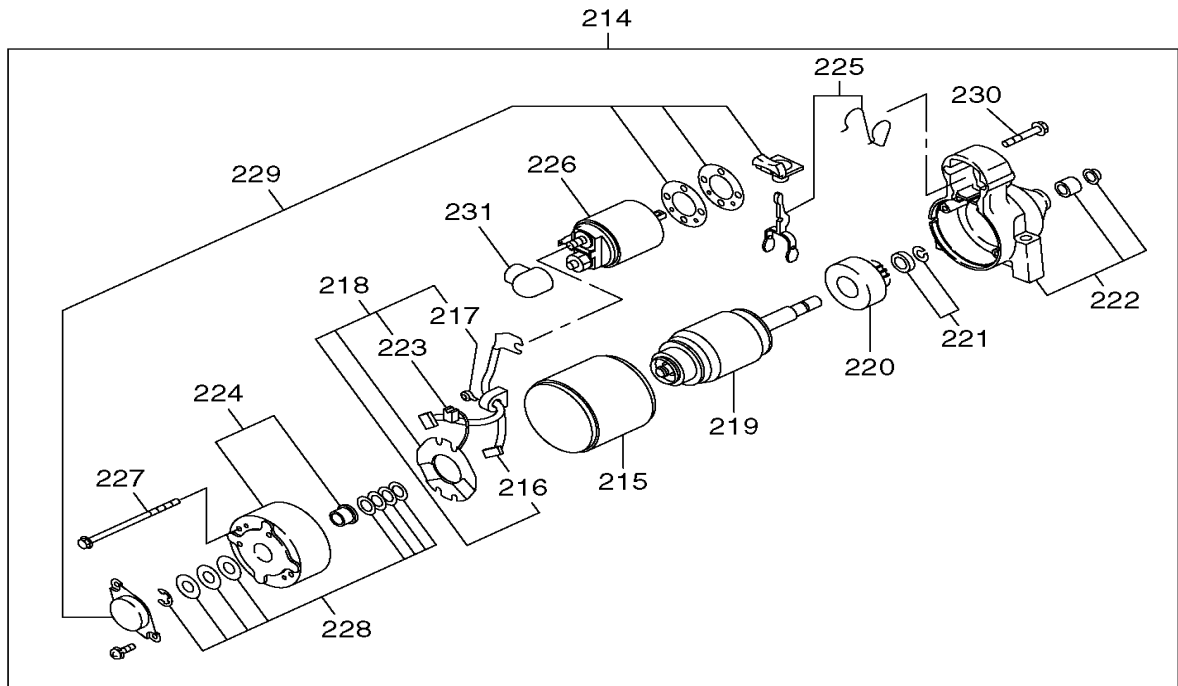


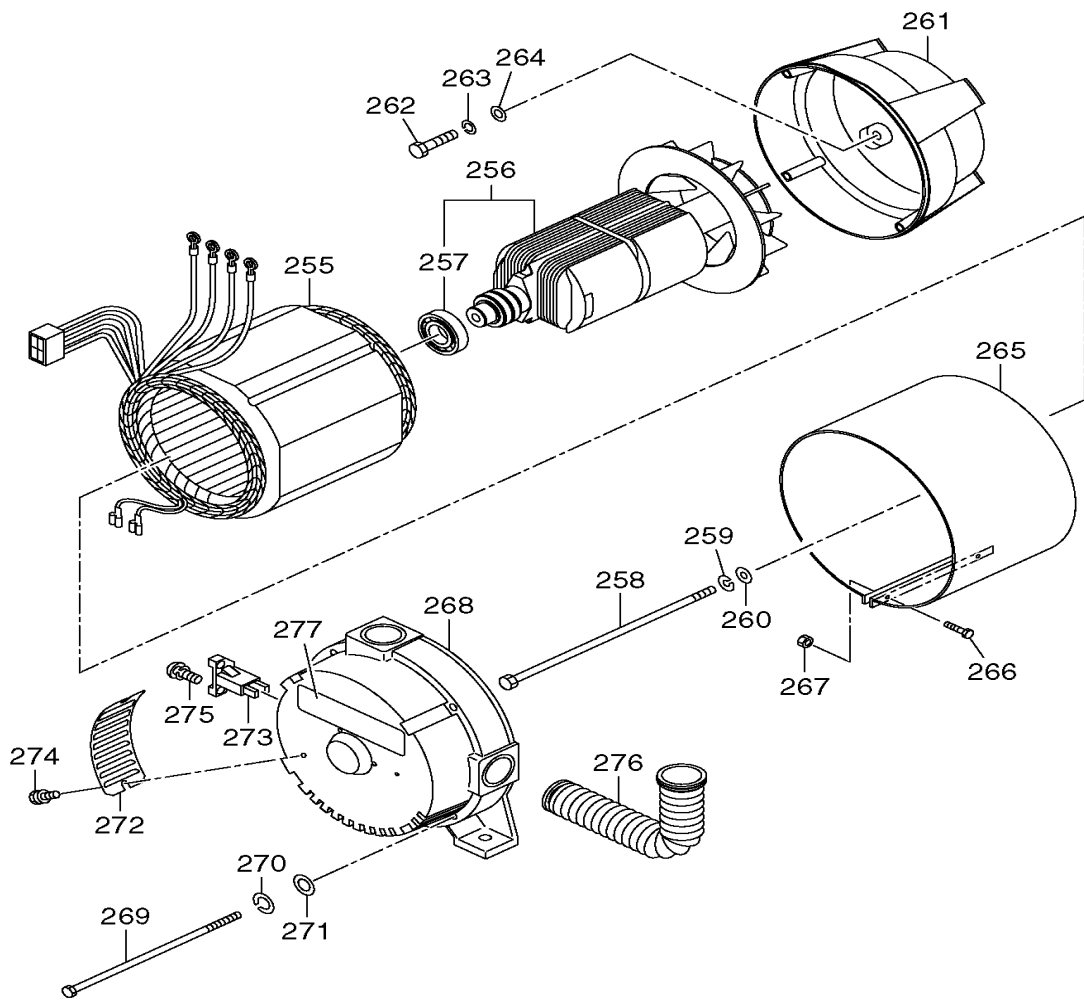


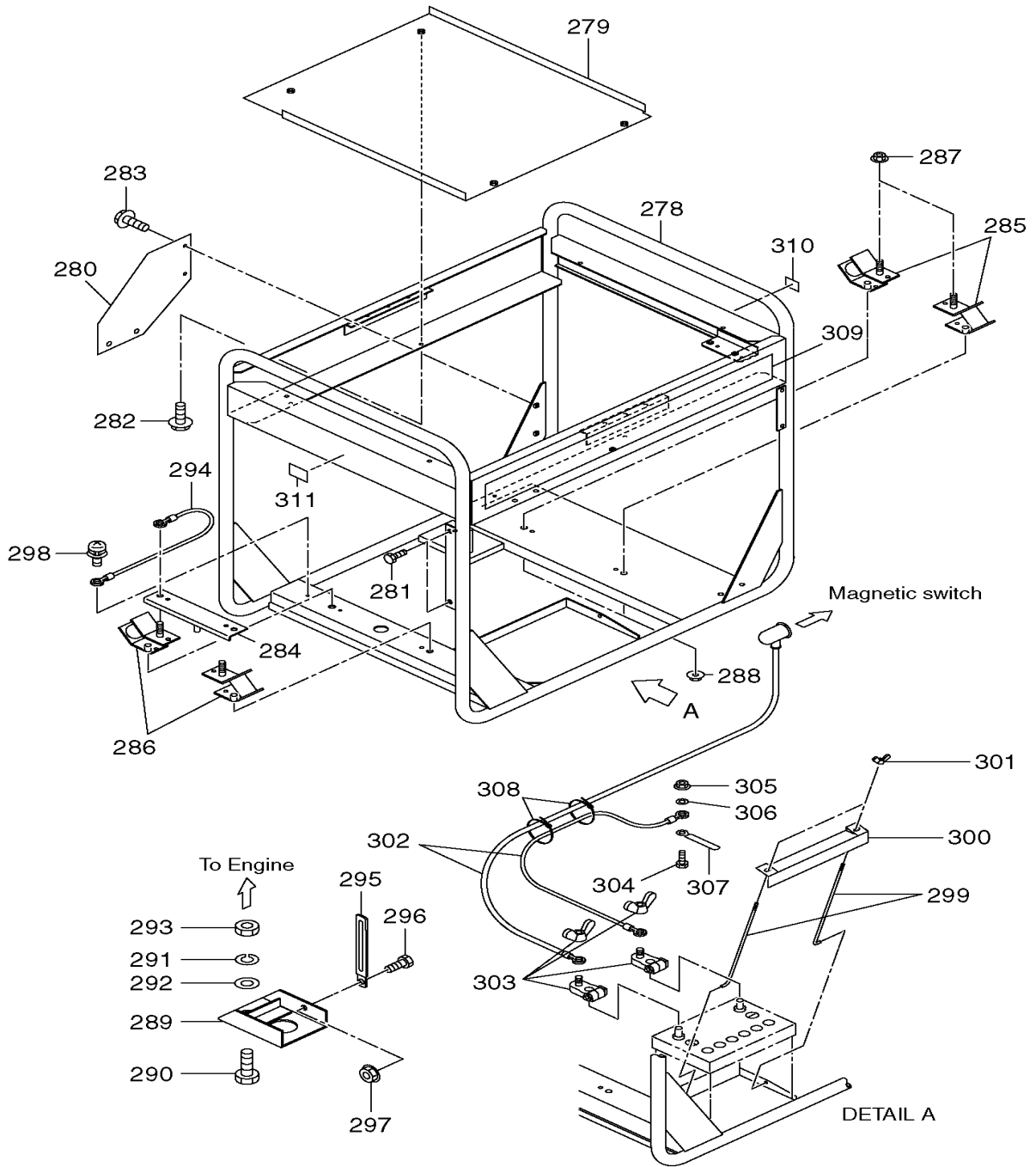


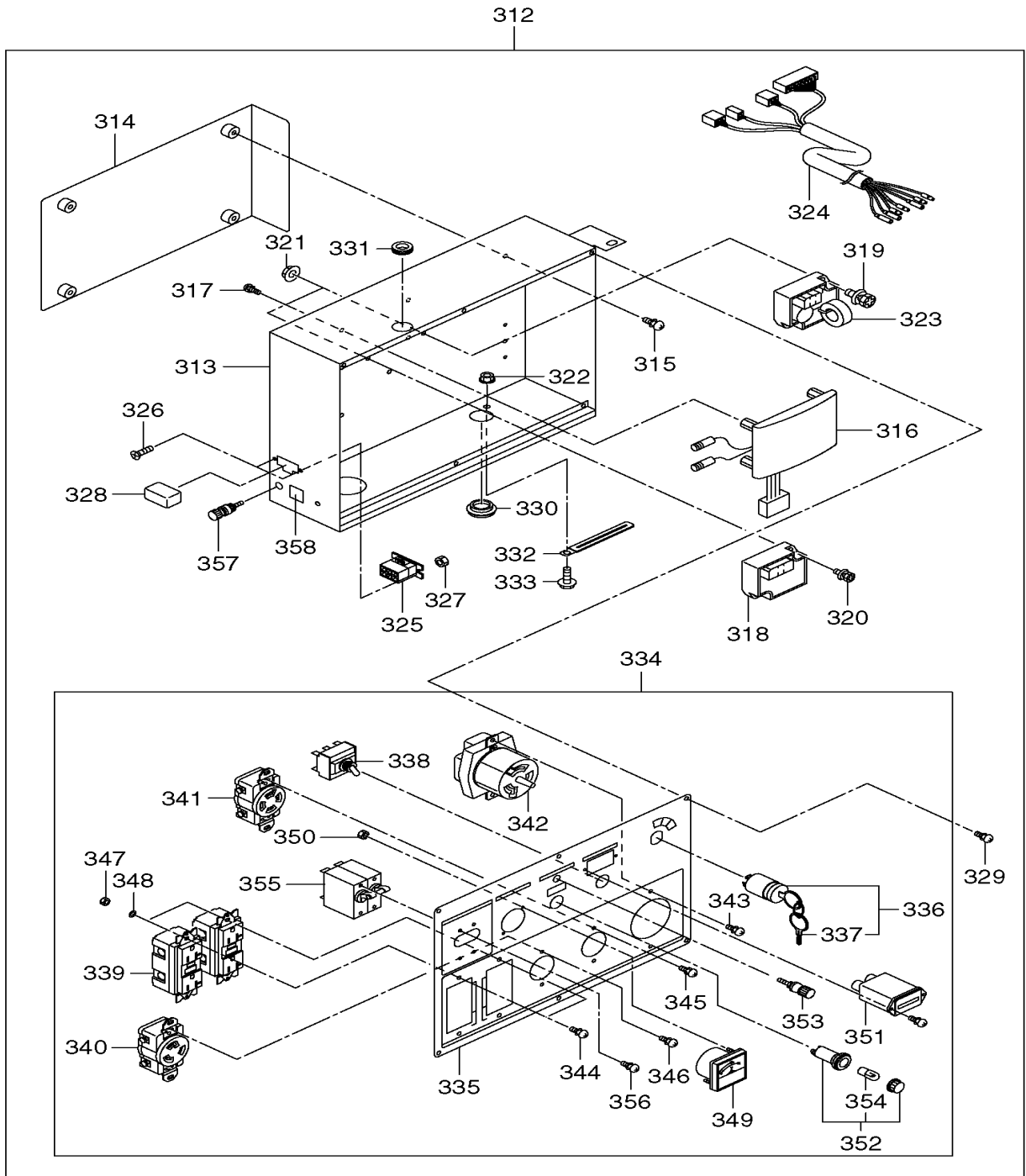


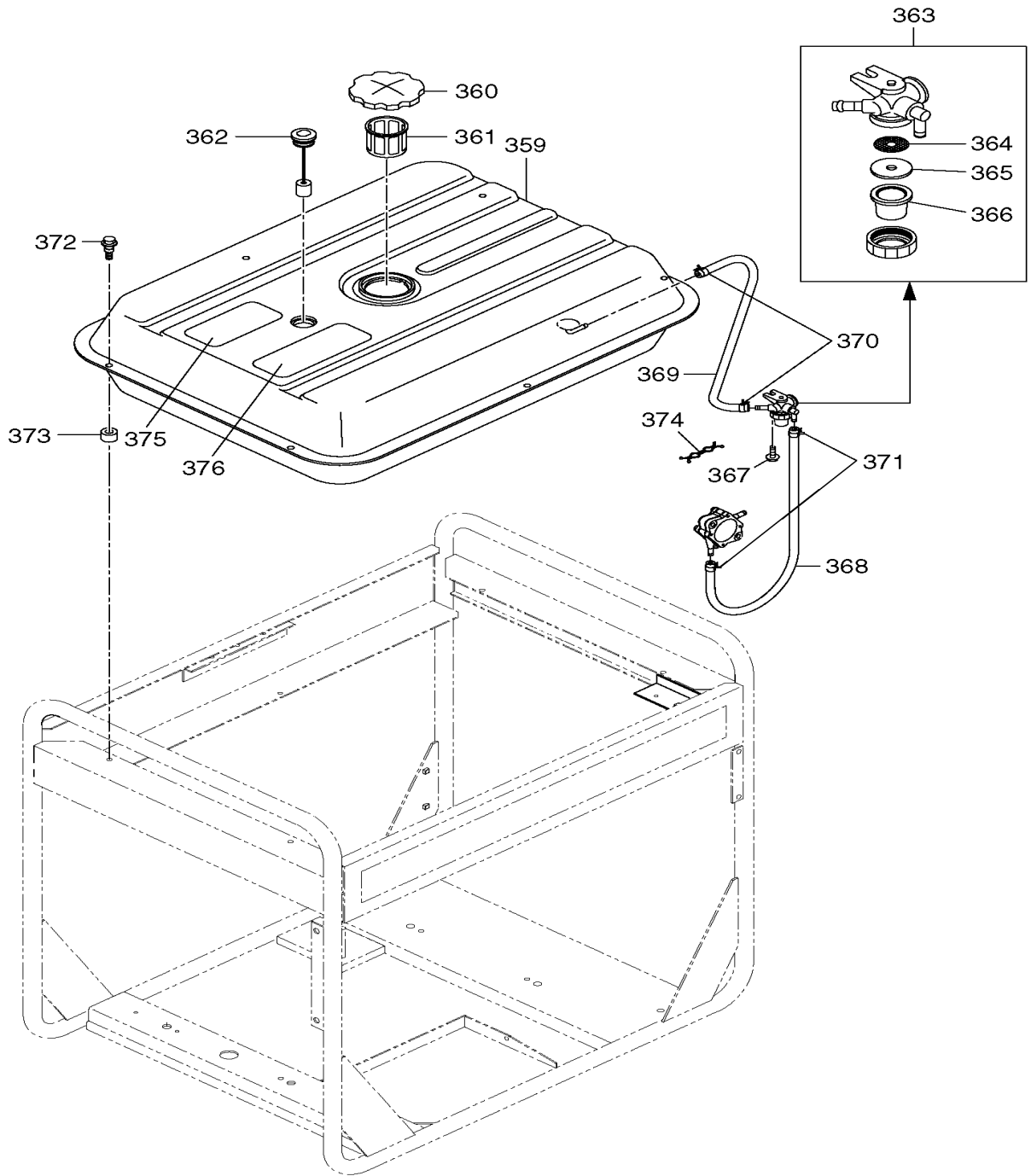


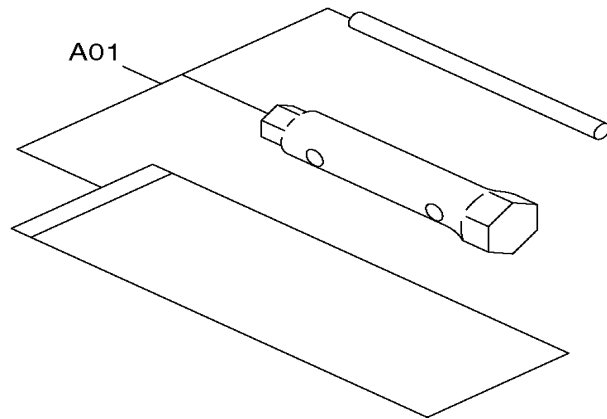














Parts Breakdown

G12010R

Products with multiple versions are listed in subsiding order with the newest version on top not indented

<u>Fig #</u>	<u>Part ID</u>	<u>Part Name</u>	<u>Quantity</u>
1	263-10111-01	CRANKCASE CP, G12010R	1
2	263-14211-03	VLAVE GUIDE, G12010R	2
3	056-51000-50	CLIP, G6100R	1
4	263-14211-03	VLAVE GUIDE, G12010R	2
5	056-51000-50	CLIP, G6100R	1
6	132-07AA0-50	SEAL-INTAKE VALVE, G12000R	1
7	132-07AA0-50	SEAL-INTAKE VALVE, G12000R	1
8	263-35341-03	RETAINER PLATE, G12010R	1
9	263-35341-03	RETAINER PLATE, G12010R	1
10	263-15802-03	MAIN BEARING, G12010R	1
11	005-26081-80	DOWEL PIN, G5501R	2
11	0310080100	N/A	2
12	142-55601-03	PIPE KNOCK, G3511R	2
13	010-50802-90	STUD, G2800R	4
14	010-50802-90	STUD, G2800R	4
15	044-00800-10	OIL SEAL, G12000R	1
16	040-11400-30	PLUG, G2800R	2
17	235-15421-03	BLIND PLUG, G12010R	1
18	021-11400-20	GASKET, G2800R	2
19	159-65401-03	PIPE (PULSE), G12000R	1
20	263-15901-03	UNION, G12000R	1
21	248-76301-01	SWITCH OIL PRESSURE, G12000R	1
22	263-11101-21	MAIN BEARING COVER,G12010R	1
23	044-04200-30	OIL SEAL, G12010R	1
24	263-15802-03	MAIN BEARING, G12010R	1
25	263-45003-01	GOVERNOR GEAR CP.,G12010R	1
26	263-46215-A3	THRUST BEARING, G12010R	1
27	263-46214-A3	WASHER, G12000R	2
28	277-41901-03	GOVERNOR SLEEVE, G2800L	1
29	263-16002-A3	GASKET, G12010R	1
30	011-00802-20	FLANGE BOLT, G12010R	10
31	263-13211-01	CYLINDER HEAD 1, G12010R	1
32	263-13311-01	CYLINDER HEAD 2, G12010R	1
33	263-15021-11	GASKET 1,G12010R	1
34	263-15121-01	GASKET 2, G12010R	1
35	011-01000-70	FLANGE BOLT, G12010R	8
36	280-15501-A3	ROCKER COVER, G12010R	1
37	263-15501-A3	ROCKER COVER, G12010R	1
38	263-16101-A3	GASKET, G12010R	2
39	031-00600-20	DOWEL PIN, G2800R	4
40	011-00601-01	FLANGE BOLT, G1100	8
41	280-19001-A3	HOOK, G12010R	2
42	263-14301-03	BREATHER COVER, G12000R	1
43	280-14401-A1	BREATHER PLATE CP,G12010R	1
44	263-16006-03	GASKET, BREATHER PLATE, G12000R	2
45	011-00600-30	FLANGE BOLT, G2800R	2
46	263-99001-27	GASKET SET, G12010R	1
47	263-21201-11	CRANKSHAFT CP.,G12010R	1
48	263-25012-A3	SPACER 0.8T, G12010R	1
48	263-25013-A3	SPACER 1.0T, G12010R	1
48	263-25014-A3	SPACER 1.2T, G12010R	1
49	018-01800-10	FLANGE NUT, G4300L	1
50	005-32054-01	WOODRUFF KEY, G5710R	1
51	2632260100	N/A	2
51	263-22602-00	CONNECTING ROD AY,G12010R	2
52	001-05084-00	FLANGE BOLT, G12010R	4
53	263-23301-03	PISTON PIN, G12000R	2
54	263-23401-03	PISTON (STD), G12000R	2
54	263-23402-03	PISTON (OVER SIZE 0.25MM),G12000R	2
54	263-23403-03	PISTON (OVER SIZE 0.50MM)G12000R	2
55	263-23501-17	PISTON RING SET(STD),G12010R	2
55	263-23502-17	PISTON RING SET(0.25),G12010R	2
55	263-23503-17	PISTON RING SET(0.50),G12010R	2
56	056-52100-20	CLIP, G5710R	4



Parts Breakdown

G12010R

57	280-31701-13	CAMSHAFT, G12010R	1
58	263-33301-A3	TAPPET, G12010R	4
59	246-33611-03	VALVE SPRING, G5710R	4
60	246-33711-13	SPRING RETAINER, G6100R	4
61	263-33401-03	INTAKE VALVE, G12000R	2
62	263-33502-13	EXHAUST VALVE, G12010R	2
63	246-35501-03	COLLET VALVE, G5710R	8
64	26335321B1	N/A	4
65	267-36101-13	ROCKER ARM, G12010R	4
66	261-35801-13	BOLT (PIVOT),G12010R	4
67	267-35701-03	PIVOT, G12010R	4
68	017-00601-10	NUT, G12010R	4
69	263-37001-A3	GUIDE PLATE, G12010R	2
70	263-30102-A1	MUFFLER ASS'Y, G12000R	1
71	263-37321-A2	SPARK ARRESTER, G12000R	1
72	263-37001-A1	BRACKET MUFFLER, G12000R	1
73	270-35201-01	GASKET CP. G12010R	2
74	018-00800-10	FLANGE NUT, G5711R	4
75	001-14082-00	BOLT & WASHER, G2800R	2
76	011-00600-30	FLANGE BOLT, G2800R	2
77	263-37302-A3	CLAMP ASS'Y G12000R	1
78	280-33001-C3	INTAKE MANIFOLD, G12010R	1
79	280-32601-A0	AIR CLEANER AY,G12010R	1
80	280-32620-A1	CLEANER BASE CP.,G12010R	1
81	263-32630-03	CLEANER COVER, G12000R	1
82	263-32640-01	WING NUT, G12000R	1
83	263-32610-A1	CLEANER ELEMENT CPL, G12000R	1
84	263-35503-A3	GASKET, G12010R	2
85	011-00600-20	FLANGE BOLT, G6100R	3
86	002-38080-00	FLANGE NUT, G6100R	4
87	263-18003-03	RUBBER PIPE, G12010R	1
88	056-12000-20	HOSE CLAMP, G12010R	2
89	073-20050-00	LABEL, G6101R	1
90	263-42301-B3	GOVERNOR LEVER, G12010R	1
91	263-42201-A3	GOVERNOR SHAFT, G12010R	1
92	X23-00801-50	SPACER, G12000R	1
93	003-10080-00	WASHER, G3501R	2
94	263-42701-A3	GOVERNOR ROD, G12010R	1
95	263-42801-03	ROD SPRING, G12000R	1
96	005-11060-01	SNAP PIN, G12000R	1
97	001-14063-00	BOLT & WASHER ASS'Y, G5710R	1
98	018-60600-20	NUT, G2800R .	1
99	263-42505-13	GOVERNOR SPRING, G12010R	1
100	263-43301-A3	SPEED CONTROL LEVER,G12010R	1
101	227-43501-13	STOP PLATE, G2410R	1
102	263-45002-03	SPRING WASHER, G12000R	1
103	021-70600-30	FRICTION WASHER, G12000R	2
104	011-50500-20	BOLT, (M5X35MM), G12000R	1
105	002-27050-00	NUT M5, RBC230	1
106	017-60600-20	SELF-LOCK NUT, MAC6000	1
107	263-45011-02	BRACKET UNIT, SPEED CTRL.,G12000R	1
108	011-00600-20	FLANGE BOLT, G6100R	2
109	263-51121-B2	BLOWER HOUSING UNIT,G12010R	1
110	011-00600-30	FLANGE BOLT, G2800R	5
111	011-00601-40	FLANGE BOLT, G2410R	2
112	001-11063-50	BOLT & WASHER, G3511R	1
113	263-52612-A1	CYLINDER BAFFLE 1, G12010R	1
114	263-52704-A1	CYLINDER BAFFLE 2, G12010R	1
115	263-52801-03	CYLINDER BAFFLE 3, G12000R	1
116	263-52912-A2	CYLINDER BAFFLE 4 UN.,G12010R	1
117	011-00600-20	FLANGE BOLT, G6100R	2
118	011-00600-20	FLANGE BOLT, G6100R	2
119	011-00600-20	FLANGE BOLT, G6100R	2
120	011-00600-20	FLANGE BOLT, G6100R	2
121	263-54101-02	COOLING BLOWER UNIT, G12000R	1
122	001-14061-60	BOLT & WASHER, G2800R	4
123	056-60002-50	CLAMP (ELEC STARTER),G2800R	1



Parts Breakdown

G12010R

124	263-68006-B3	RUBBER PIPE, G12010R	1
125	263-68501-03	HOSE CLAMP, G12000R	2
126	263-62385-00	CARBURETOR AY, G12010R	1
127	263-62535-08	THROTTLE VALVE, G12000R	1
128	261-62352-08	SCREW, VALVE SET, G12000R	2
129	261-62352-08	SCREW, VALVE SET, G12000R	3
130	258-62525-08	CHOKE VALVE, G12000R	1
131	258-62555-08	SCREW, VALVE SET, G12000R	2
132	258-62420-08	JET, SLOW (#60), G12000R	1
133	263-62523-08	SHAFT ASS'Y CHOKE, G12000R	1
134	263-62534-08	THROTTLE SHAFT ASS'Y, G12000R	1
135	258-62551-08	RING, CHOKE LEVER, G12000R	1
136	226-62501-08	VALVE FLOAT, G12000R	1
137	25-862515-08	FLOAT PIN, G12000R	1
138	280-62545-08	GASKET, G12010R	1
139	280-62505-08	FLOAT, G12010R	1
140	263-62400-08	MAIN JET (#132), G12000R	1
141	215-62353-08	SCREW DRAIN, G12000R	1
142	215-62446-08	SPRING DRAIN, G12000R	1
143	258-62556-08	SCREW, FLOAT PIN SET, G12000R	1
144	263-62451-08	SCREW, G12010R	1
145	258-62445-08	SPRING, ADJUST SCREW, G12000R	1
146	258-62450-08	SCREW, AIR HORN SET, G12000R	2
147	263-62584-08	SCREW, G12010R	2
148	263-62560-08	O RING, AIR HORN, G12000R	1
149	280-62551-08	COLLAR(CHOKE), G12010R	1
150	258-62554-08	FILTER, CHOKE SHAFT, G12000R	1
151	263-62527-08	LEVER ASS'Y, CHOKE, G12000R	1
152	263-62447-08	SPRING CHOKE, G12000R	1
153	226-62580-08	FILTER, THROTTLE SHAFT, G12000R	1
154	258-62570-08	COLLAR, THROTTLE SHAFT, G12000R	1
155	263-62556-08	VALVE CP, G12010R	1
156	258-62546-08	GASKET, G12000R	1
157	258-62566-08	CLAMP, SOLENOID WIRE, G12000R	1
158	263-62555-08	GASKET, G12000R	1
159	263-62552-08	PLUG, G12010R	1
160	263-62506-08	ARM CHOKE, G12000R	1
161	263-62591-08	FILTER, AIR, G12000R	1
162	161-62345-08	SCREW, G12000R	1
163	263-62360-08	OPENER AY, G12010R	1
164	263-62566-08	PIPE(RUBBER), G12010R	1
165	2636258308	N/A	1
166	263-62353-08	ROD, CHOKE PISTON, G12000R	1
167	263-62596-08	WASHER, G12000R	1
168	263-62596-08	WASHER, G12000R	1
169	107-62377-08	E-CLIP, G12000R	1
170	107-62377-08	E-CLIP, G12000R	1
171	107-62376-08	COVER ASSY, THERMOSTAT, G12000R	1
172	107-62373-08	GASKET, G12000R	1
173	107-62375-08	PLATE, G12000R	1
174	263-62562-08	HOLDER COMPLETE, G12000R	1
175	263-62589-08	SCREW, HOLDER SET, G12000R	2
176	085-10301-10	RUBBER PIPE, G12010R	1
177	206-75501-01	CLAMP COMP., G2410R	2
178	263-63603-01	OIL GAUGE COMPL., G12000R	1
179	263-66201-A3	GASKET (CARB.), G12010R	1
180	267-62201-10	FUEL PUMP AY, G12010R	1
181	263-65002-A3	BRACKET(FUEL PUMP), G12010R	1
182	263-68008-B3	RUBBER PIPE, G12010R	1
183	263-68501-03	HOSE CLAMP, G12000R	2
184	011-00600-20	FLANGE BOLT, G6100R	3
185	011-00600-20	FLANGE BOLT, G6100R	2
186	011-00801-10	FLANGE BOLT (M8X80MM), G12000R	2
187	263-63901-03	INNER ROTOR, G12000R	1
188	263-63902-03	OUTER ROTER, G12000R	1
189	263-64001-11	OIL PUMP COVER, G12010R	1
190	044-03501-70	OIL SEAL, G12010R	1



Parts Breakdown

G12010R

191	X24-08900-30	O RING, G12010R	1
192	011-00600-30	FLANGE BOLT, G2800R	4
193	263-64302-02	OIL PUMP FILTER UN.,G12010R	1
194	263-65011-A3	FLANGE BOLT, G12010R	1
195	248-65801-00	OIL FILTER ASSY,G12010R	1
196	263-65001-13	PLUG, OIL RELIEF, G12000R	1
197	003-70140-00	GASKET, ALUMINUM,G12000R	1
198	263-66001-03	SPRING, G12010R	1
199	006-90308-00	STEEL BALL, G12000R	1
200	280-63602-A3	OIL FILLER CAP,G12010R	1
201	263-64414-A3	O RING, G12010R	1
202	263-77202-11	FLYWHEEL CP.,G12010R	1
203	263-78202-11	IGNITION COIL, G12000R	2
204	263-79403-D1	CHARGE COIL CP.,G12010R	1
205	263-71001-03	RING GEAR, G12000R	1
206	001-14062-50	BOLT & WASHER, G2800R	4
207	001-17052-00	BOLT ASS'Y M5X20, G12010R	4
208	263-73016-01	WIRE 4, COMPL., G12000R	1
209	263-73017-01	WIRE 5, COMPL., G12000R	1
210	206-75501-01	CLAMP COMP., G2410R	1
211	065-90000-10	PLUG TERMINAL, G5710R	2
212	065-01402-80	SPARK PLUG(BPR5ES),G12010R	2
213	X65-51000-10	SPARK PLUG CAP, G12010R	2
214	263-70502-A0	STARTING MOTOR ASS'Y, G12000R	1
215	255-70580-08	YOKE ASS'Y, G12000R	1
216	255-70551-08	BRUSH SET, G12000R	1
217	228-70516-08	BRUSH SPRING, G12000R	4
218	255-70531-08	BRUSH HOLDER, G12000R	1
219	263-70510-08	ARMATURE ASS'Y, G12000R	1
220	255-70521-08	PINION ASS'Y, G12000R	1
221	210-70534-08	PINION STOPPER SET, G12000R	1
222	263-70500-08	GEAR CASE ASS'Y, G12000R	1
223	228-70514-08	BRUSH, G12000R	2
224	263-70505-08	REAR COVER ASS'Y, G12000R	1
225	243-70525-08	SHIFT LEVER KIT, G12000R	1
226	263-70515-08	MAGNETIC SWITCH ASS'Y, G12000R	1
227	207-70524-08	THROUGH BOLT, G12000R	2
228	263-70550-08	THRUST WASHER KIT, G12000R	1
229	255-70570-08	DUST COVER KIT, G12000R	1
230	263-70551-08	BOLT, G12000R	2
231	207-70526-08	RUBBER CAP, G12000R	1
232	002-38080-00	FLANGE NUT, G6100R	1
233	011-00801-00	FLANGE BOLT, G2800R	2
234	263-71901-01	REGULATOR, G12000R	1
234	26371903A1	N/A	1
235	011-00601-40	FLANGE BOLT, G2410R	2
236	263-73112-01	WIRE 6, COMPL., G12000R	1
237	056-30000-10	WIRE BAND, G12010R	4
238	056-60002-50	CLAMP (ELEC STARTER),G2800R	2
239	263-75301-01	SOLENOID, COMPL., G12000R	1
240	2807540101	N/A	1
241	2807540201	N/A	1
242	001-14061-20	BOLT AND WASHER ASSY, G12000R	1
243	263-75442-03	ROD, G12000R	1
244	235-44701-03	HOLDER ROD, G12000R	1
245	023-00603-50	SPACER, G12000R	1
246	014-00300-20	SCREW (M3X8MM), G12000R	4
247	017-00300-10	NUT, G12000R	4
248	263-75462-03	SPRING, G12000R	1
249	2807542201	N/A	1
250	226-43101-01	LINK PIVOT CP.,G12010R	1
251	021-71000-20	FRICITION WASHER, G12000R	1
252	263-46214-A3	WASHER, G12000R	1
253	263-73102-11	WIRE AY, G12010R	1
254	206-75501-01	CLAMP COMP., G2410R	2
255	31G-52015-01	STATOR COMPL., G12000R	1
256	31G-52001-01	ROTOR COMPL., G12000R	1



Parts Breakdown

G12010R

257	333-58206-08	BEARING, G12000R	1
258	31F-54002-01	THROUGH BOLT(5/16-24X265MM),G12000R	1
259	003-20080-00	SPRING WASHER, G2800R	1
260	003-10080-00	WASHER, G3501R	1
261	31F-53001-03	FRONT BRACKET, G12000R	1
262	31F-54001-01	BOLT (3/8-16X25M) G12000R	4
263	003-20100-00	SPRING WASHER, G3510R	4
264	003-10100-00	WASHER, G12000R	4
265	31F-54003-01	STATOR COVER,G12000R	1
266	31F-54005-01	BOLT (M4X18MM),G12000R	2
267	002-17040-00	NUT, G2800R	2
268	31G-53012-01	REAR COVER, G12000R	1
269	365-58006-08	COVER BOLT (M8X220MM), G12000R	4
270	003-20080-00	SPRING WASHER, G2800R	4
271	003-10080-00	WASHER, G3501R	4
272	31F-54004-01	BRUSH COVER, G12000R	1
273	31G-74001-01	BRUSH HOLDER, COMPL., G12000R	1
273	31H-54002-01	BRUSH HOLDER, G12000R	1
274	356-59953-08	BOLT & WASHER ASSY(M5X12MM)G12000R	2
275	31G-62001-01	SCREW & WASHER ASSY(M5X20MM)G12000R	2
276	353-57506-08	BUSHING, G12000R	1
277	31G-81007-13	LABEL (SPEC), G12010R	1
278	31G-61002-01	PIPE FRAME, COMPL., G12000R	1
279	31F-61024-01	BAFFLE PLATE, G12000R	1
280	31G-61024-01	COVER PLATE,G12000R	1
281	011-00600-80	FLANGE BOLT, G2400R	2
282	011-00600-80	FLANGE BOLT, G2400R	4
283	31G-62002-01	FLANGE BOLT (M6X12MM) G12000R	4
284	31F-61002-01	GENERATOR BASE, G12000R	1
285	31F-35001-01	MOUNT COMPL., G12000R	2
286	31F-35001-01	MOUNT COMPL., G12000R	2
287	002-38100-00	FLANGE NUT, G12010R	4
288	002-38100-00	FLANGE NUT, G12010R	4
289	31F-61022-01	STOPPER PLATE, G12000R	1
290	001-66104-00	BOLT (M10X40MM), G12000R	1
291	003-20100-00	SPRING WASHER, G3510R	1
292	003-10100-00	WASHER, G12000R	1
293	002-17100-00	NUT, G12000R	1
294	31F-62016-01	EARTH CORD, G12000R	1
295	056-60002-50	CLAMP (ELEC STARTER),G2800R	1
296	011-00600-20	FLANGE BOLT, G6100R	1
297	002-38060-00	FLANGE NUT, G6101R	1
298	392-49987-08	SCREW & WASHER ASSY(M5X8MM)G12000R	1
299	978-21611-20	ROD, BATTERY, G12000R	2
300	31F-33001-01	BATTERY STAY COMPL., G12000R	1
301	002-41060-00	WING NUT, G12000R	2
302	31F-74016-01	WIRE CABLE SET, G12000R	1
303	31F-32001-03	BATTERY TERMINAL, G12000R	1
304	001-66084-50	BOLT (M8X45MM), G12000R	1
305	002-38080-00	FLANGE NUT, G6100R	1
306	003-10080-00	WASHER, G3501R	1
307	056-60001-70	CLAMP, G2410R	1
308	056-30000-60	WIRE BAND, G12000R	5
309	31G-81022-13	LABEL(MAKITA), G12010R	1
310	073-20050-80	LABEL, G12010R	1
311	073-20048-60	LABEL(HOT & GAS),G12010R	1
312	31G-71007-00	CONTROL BOX AY, G12010R	1
313	31G-73025-01	CONTROL BOX UNIT, G12000R	1
314	31F-73007-01	PLATE, G12000R	1
315	366-49997-08	SCREW & WASHER ASSY(M5X10MM)G12000R	4
316	31G-74015-01	AVR ASS'Y, G12000R	1
316	31G-74022-01	AVR ASSY, G12000R	1
317	392-49986-08	SCREW & WASHER ASSY (M4X6MM)G12000R	4
318	KU3-11062-01	ECU (0/S&R/C) COMPL., G12000R	1
318	KU3-11062-11	ECU COMPLETE,G12000R	1
318	KU3-11062-21	ECU COMPLETE, G12000R	1
319	004-36062-00	SCREW ASSEMBLY, RBL500	2



Parts Breakdown

G12010R

320	004-36062-00	SCREW ASSEMBLY, RBL500	1
320	004-36062-00	SCREW ASSEMBLY, RBL500	2
321	002-38060-00	FLANGE NUT, G6101R	4
322	002-38060-00	FLANGE NUT, G6101R	1
323	KU3-11055-01	IDLE CONTROL UNIT, G12000R	1
324	31G-76002-03	WIRE COMPL., G12000R	1
325	353-47200-08	CONNECTOR (6P), G12000R	1
326	004-35041-00	SCREW & WASHER, G2800R	2
327	002-17040-00	NUT, G2800R	2
328	31G-49501-03	CONNECTOR CAP, G12000R	1
329	351-49920-08	SCREW & WASHER ASSY(M4X10MM)G12000R	6
330	389-89001-03	GROMMET, G3510R	1
331	024-11500-10	GROMMET, G5500R	1
332	056-60002-50	CLAMP (ELEC STARTER),G2800R	1
333	011-00600-20	FLANGE BOLT, G6100R	1
334	31G-72009-00	CONTROL PANEL AY, G12010R	1
335	31G-73026-01	CONTROL PANEL,G12000R	1
336	066-00003-30	KEY SWITCH, G3511R	1
337	066-00099-80	KEY-103, G6100R	2
338	344-45615-08	SWITCH, G6101R	1
339	33K4995101	N/A	2
339	388-85003-01	AC RECEPTACLE (125V-20A),G6101R	2
340	380-45749-08	AC RECEPTACLE (125V-30A)G12000R	1
341	31G-75017-03	AC RECEPTACLE(125/250V-30A)G12000R	1
342	31G-75018-03	AC RECEPTACLE(125/250V-50A)G12000R	1
343	351-49920-08	SCREW & WASHER ASSY(M4X10MM)G12000R	2
344	351-49920-08	SCREW & WASHER ASSY(M4X10MM)G12000R	4
345	31G-75015-03	SCREW & WASHER ASSY,G12000R	2
346	31G-75015-03	SCREW & WASHER ASSY,G12000R	2
347	002-17040-00	NUT, G2800R	6
348	003-10040-00	WASHER, G6101R	12
349	391-47900-11	AC VOLT METER, G5710R	1
350	002-17030-00	NUT, G2800R	2
351	393-40651-08	HOUR METER, G12000R	1
352	393-43101-01	LAMP (OIL) G12000R	1
353	31F-75016-03	PILOT LAMP, G12000R	1
354	393-45006-01	LAMP, G12010R	1
355	31G-75002-03	NO FUSE BREAKER (2P-39A),G12000R	1
356	31B-79011-03	SCREW & WASHER ASSY(M3X5MM)G12000R	4
357	353-45716-08	TERMINAL BOLT, G12000R	1
358	30G-49106-08	LABEL (EARTH),G12010R	1
359	31G-36103-01	FUEL TANK COMPL., G12000R	1
360	043-05900-11	FUEL TANK CAP COMPL., G2800R	1
361	064-15400-11	FUEL FILTER, G6101R	1
362	064-80015-00	FUEL GAUGE COMPL. G12000R	1
363	064-20036-01	FUEL STRAINER ASS'Y, EW400TR	1
363	064-20107-00	FUEL STRAINER, G12010R	1
364	064-20002-20	FILTER, G2400R	1
365	064-20030-30	RUBBER PACKING, G6100R	1
366	064-20036-10	CAP, G6100R	1
367	011-00600-30	FLANGE BOLT, G2800R	1
368	085-10607-40	RUBBER PIPE, G12010R	1
369	085-10610-40	RUBBER PIPE, G12010R	1
370	056-11100-20	HOSE CLAMP, G2800R	2
371	056-11100-20	HOSE CLAMP, G2800R	2
372	011-00602-20	FLANGE BOLT, G2800R	6
373	391-39000-13	RUBBER WASHER, G2800R	6
374	31F-39002-03	PURSE LOCK, G12000R	1
375	33B-97102-13	LABEL (CAUTION),G2800L	1
376	31G-81023-03	LABEL(CAUTION), G12010R	1
383	31G4950201	N/A	1
384	3914830101	N/A	1
385	0013706035	N/A	1
386	0230060330	N/A	1
1,001	2279030110	WRENCH, EW210R	1