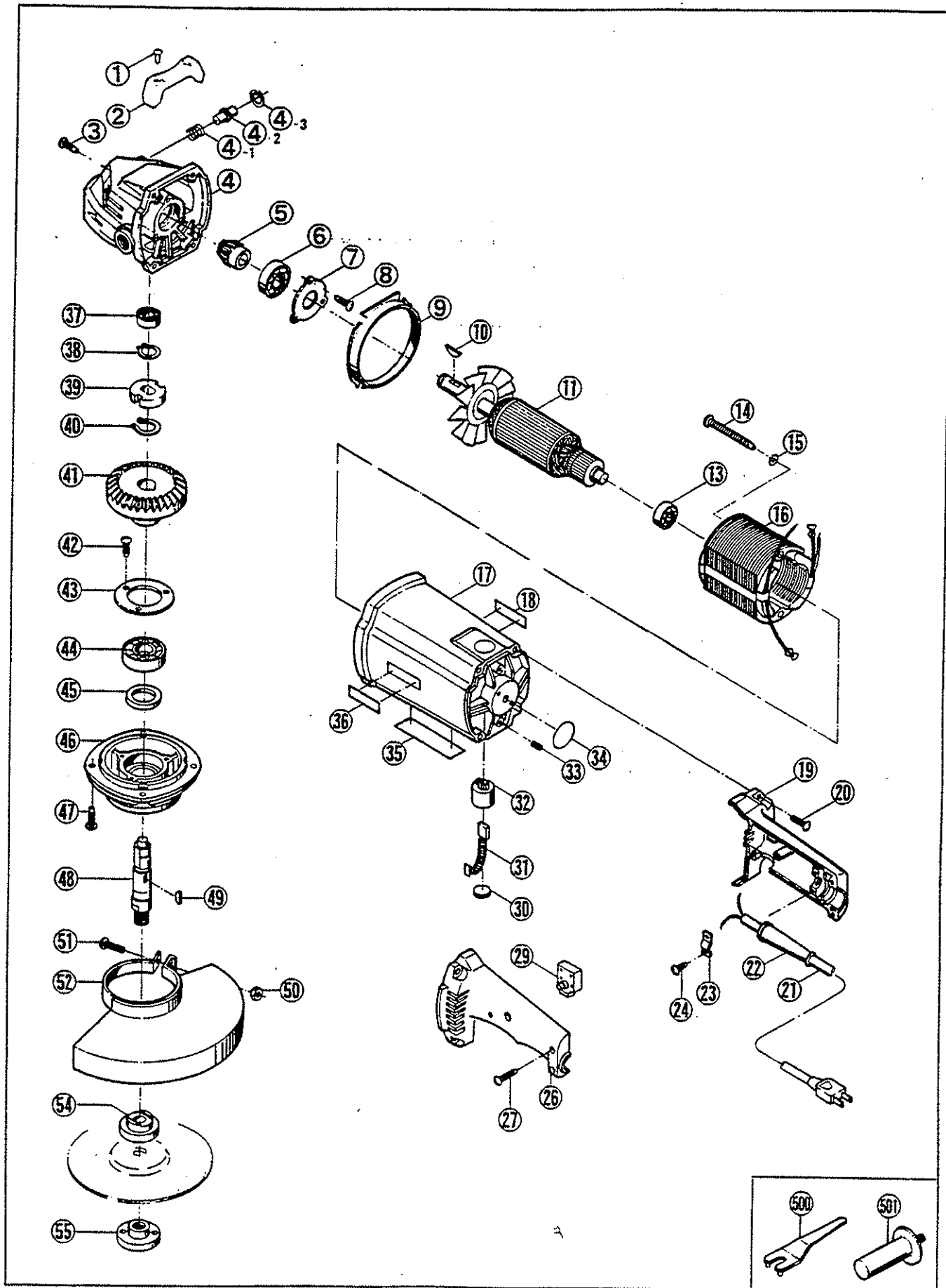


GRINDER

G-1250C



PARTS LIST FOR AFTER SALES SERVICE MODEL G1250C

| REF | PART NO. | DESCRIPTION | QTY | REF | PART NO. | DESCRIPTION | QTY |
|-----------------------------|----------|--------------------------|-----|-----|----------|--------------------------|-----|
| 1 | 9000512 | PHILLIPS PAN SCREW M5X12 | 2 | 31 | 6540123 | CARBON BRUSH SET | 1 |
| 2 | 6370076 | TOOL REST | 1 | 32 | 6570007 | BRUSH HOLDER | 2 |
| 3 | 9060525 | TAPPING SCREW (B) M5X25 | 4 | 33 | 9280508 | CLAMP SCREW M5X8 | 2 |
| 4 | 6080751 | GEAR CASE | 1 | 34 | 6930057 | DUST SEAL | 1 |
| 4-1 | 6180090 | COMPRESSION SPRING | 1 | 35 | 6911034 | NAME PLATE | 1 |
| 4-2 | 6120087 | STOPPER PIN | 1 | 36 | 6920004 | "RYOBI" MARK #9 | 1 |
| 4-3 | 6100079 | RETAINING RING R-13 | 1 | 37 | 9846000 | BALL BEARING #6000LLB | 1 |
| 5 | 6200063 | PINION GEAR | 1 | 38 | 9511400 | RETAINING RING S-14 | 1 |
| 6 | 9856200 | BALL BEARING #6200LLU | 1 | 39 | 6220026 | STOPPER BLOCK | 1 |
| 7 | 6150425 | BEARING CLAMP | 1 | 40 | 9511500 | RETAINING RING S-15 | 1 |
| 8 | 9040410 | TAPPING SCREW (S) M4X10 | 3 | 41 | 6200065 | BEVEL GEAR | 1 |
| 9 | 6490118 | FAN CASING | 1 | 42 | 9040510 | TAPPING SCREW (S) M5X10 | 3 |
| 10 | 6100225 | WOODRUFF KEY | 1 | 43 | 6150641 | BEARING CLAMP | 1 |
| 11 | 6030684 | ARMATURE | 1 | 44 | 9846202 | BALL BEARING #6202LLB | 1 |
| 13 | 9850608 | BALL BEARING #608LLU | 1 | 45 | 6900233 | FELT WASHER | 1 |
| 14 | 9060565 | TAPPING SCREW (B) M5X65 | 2 | 46 | 6820245 | GEAR CASE COVER | 1 |
| 15 | 9610500 | TOOTHED LOCK WASHER M5 | 2 | 47 | 9040516 | TAPPING SCREW (S) M5X16 | 4 |
| 16 | 6500626 | FIELD COIL | 1 | 48 | 6110067 | GEAR SHAFT | 1 |
| 17 | 6800578 | MOTOR HOUSING | 1 | 49 | 6100630 | WOODRUFF KEY | 1 |
| 18 | 6920004 | "RYOBI" MARK #9 | 1 | 50 | 6130023 | SQUARE NUT M5 | 1 |
| 19 | 6830543 | HANDLE (A) | 1 | 51 | 9020520 | PHILLIPS PAN SCREW M5X20 | 1 |
| 20 | 9060525 | TAPPING SCREW (B) M5X25 | 4 | 52 | 6020088 | WHEEL GUARD | 1 |
| 21 | 6520331 | CORD ASS'Y AWG#18X2X2 | 1 | 54 | 6940270 | FLANGE | 1 |
| 22 | 6560047 | CORD HOLDER | 1 | 55 | 6940267 | CLAMP NUT | 1 |
| 23 | 6560067 | CORD CLAMP | 1 | -- | 6560024 | TERMINAL | 4 |
| 24 | 9060416 | TAPPING SCREW (B) M4X16 | 2 | | | | |
| 25 | 6830546 | HANDLE (B) | 1 | | | | |
| 27 | 9060418 | TAPPING SCREW (B) M4X18 | 3 | | | | |
| STANDARD ACCESSORIES | | | | | | | |
| 29 | 6550010 | TRIGGER SWITCH | 1 | 500 | 6240403 | LOCK-NUT WRENCH 35 | 1 |
| 30 | 6570070 | BRUSH CAP | 2 | 501 | 6830536 | SIDE HANDLE | 1 |

SERVICE NOTES: