

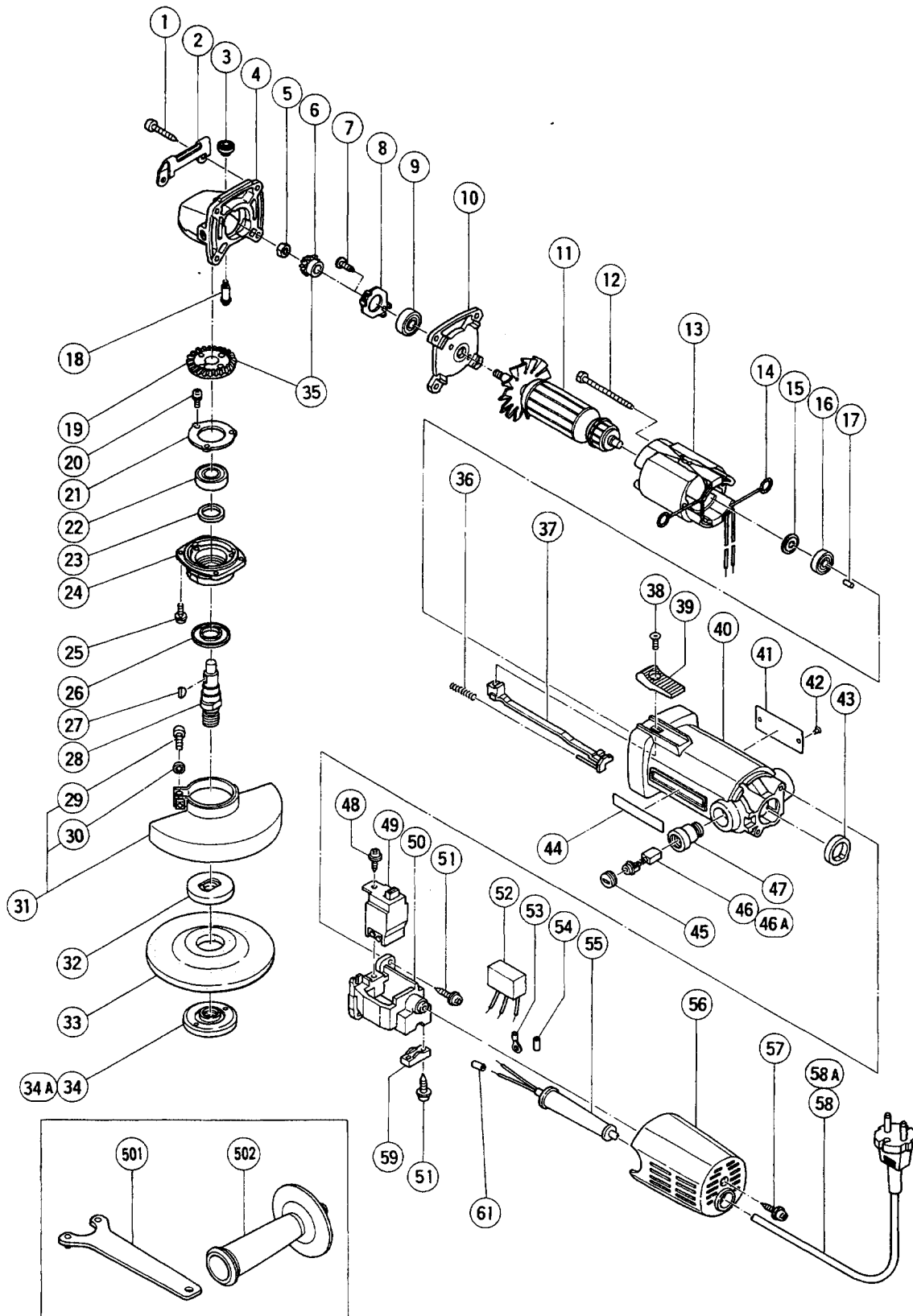
HITACHI

LIST NO. E202

ELECTRIC TOOL PARTS LIST

■ DISC GRINDER
Model G 12S1

1993 · 4 · 2
(E3)



PARTS

G 12S1

ITEM NO.	CODE NO.	DESCRIPTION	NO. USED	REMARKS
1	937-807	TAPPING SCREW D5X25	4	
2	302-149	GUARD PLATE	1	
3	301-944	PUSHING BUTTON	1	
4	302-097	GEAR COVER ASS'Y	1	INCLUD.3,18
5	301-941	SPECIAL NUT M7	1	
6	301-939	PINION	1	
7	301-936	SLOTTED HD. SCREW (SEAL LOCK) M4X10	2	
8	301-937	BEARING COVER	1	
9	608-VVM	BALL BEARING 608VVMC2EPS2L	1	
10	301-935	INNER COVER	1	
* 11	360-163C	ARMATURE 110V - 115V	1	
* 11	360-163D	ARMATURE 120V - 127V	1	
* 11	360-163E	ARMATURE 220V - 230V	1	
* 11	360-163F	ARMATURE 230V - 240V	1	FOR SIN,KUW,SAU,AUS,GBR,SAF
12	982-021	HEX. HD. TAPPING SCREW D4X70	2	
* 13	340-187C	STATOR ASS'Y 110V - 115V	1	INCLUD.14
* 13	340-187D	STATOR ASS'Y 120V - 127V	1	INCLUD.14
* 13	340-187E	STATOR ASS'Y 220V	1	INCLUD.14
* 13	340-187F	STATOR ASS'Y 230V - 240V	1	INCLUD.14
* 13	340-187H	STATOR ASS'Y 220V - 230V	1	INCLUD.14 FOR ITA,FRG,FRA,HOL,DEN,FIN, SWE,AUT
* 13	340-187L	STATOR ASS'Y 220V	1	INCLUD.14 FOR NOR,SUI
* 13	340-187M	STATOR ASS'Y 230V - 240V	2	INCLUD.14 FOR SAF
* 13	340-187J	STATOR ASS'Y 230V - 240V	1	INCLUD.14 FOR GBR
* 13	340-187G	STATOR ASS'Y 110V	1	INCLUD.14 FOR GBR
* 13	340-187K	STATOR ASS'Y 115V	1	INCLUD.14 FOR USA,CAN
14	931-867	BRUSH TERMINAL	2	
15	980-865	WASHER (A)	1	
16	626-VVM	BALL BEARING 626VVMC2ERPS2S	1	
17	931-701	BEARING LOCK	1	
18	301-943	LOCK PIN	1	
19	301-940	GEAR	1	
20	987-201	SEAL LOCK SCREW (W/SP. WASHER) M4X10	3	
21	938-058	BEARING COVER (B)	1	
22	600-1VV	BALL BEARING 6001VVCMP2L	1	
23	301-946	FELT PACKING	1	
24	302-286	PACKING GLAND	1	
25	987-203	SEAL LOCK SCREW (W/SP. WASHER) M4X12	4	
26	301-945	FRINGER	1	
27	940-220	WOODRUFF KEY 2.5X8	1	
* 28	302-059	SPINDLE	1	
* 28	302-060	SPINDLE	1	FOR USA
29	949-241	MACHINE SCREW M5X20 (10 PCS.)	1	
30	949-454	SPRING WASHER M5 (10 PCS.)	1	
31	937-816Z	WHEEL GUARD (A) ASS'Y	1	INCLUD.29,30
* 32	937-817Z	WHEEL WASHER	1	
* 32	937-922P	WHEEL WASHER (B) FOR D5/8" HOLE	1	FOR USA
* 33	937-819Z	D. C. WHEELS 115MM A36Q (10 PCS.)	1	EXCEPT FOR ITA
* 34	937-923P	WHEEL NUT 5/8" - 11UNC	1	FOR USA
* 34A	994-324	WHEEL NUT M14	1	
35	301-938	GEAR PINION ASS'Y	1	INCLUD.6,19

*: ALTERNATIVE PARTS

PARTS

ITEM NO.	CODE NO.	DESCRIPTION	NO. USED	REMARKS
36	938-299	SPRING	1	
37	982-033	SLIDE BAR	1	
38	949-323	FLAT HD. SCREW M4X12 (10 PCS.)	1	
39	994-298	SLIDE KNOB (C)	1	
40	982-020	HOUSING ASS'Y	1	INCLUD.47
41		NAME PLATE	1	
42	932-642	RIVET D2.5X2.8	2	
43	982-023	BEARING BUSHING	1	
44	957-561	HITACHI LABEL	1	
45	937-847	BRUSH CAP	2	
* 46	999-021	CARBON BRUSH (1 PAIR)	2	
* 46A	999-084	CARBON BRUSH (AUTO STOP TYPE) (1 PAIR)	2	FOR DEN
47	937-846	BRUSH HOLDER	2	
48	982-034	TAPPING SCREW (W/WASHER) D4X12	1	
49	980-778	SLIDE SWITCH (2P PILLAR TYPE)	1	
* 50	982-044	SWITCH HOLDER	1	
* 50	982-045Z	SWITCH HOLDER	1	FOR SUI
51	984-750	TAPPING SCREW (W/FLANGE) D4X16	4	
* 52	994-273	NOISE SUPPRESSOR	1	FOR SAF,ITA,FRG,FRA,HOL,DEN,FIN,SWE, AUT,NOR,SUI,GBR
* 53	980-083	TERMINAL	1	
* 53	959-144	TERMINAL 50051 (10 PCS.)	1	FOR SUI
* 54	981-373	TUBE (D)	2	FOR NOISE SUPPRESSOR
* 55	953-327	CORD ARMOR D8.8	1	
* 55	938-051	CORD ARMOR D10.1	1	
56	982-035	TAIL COVER	1	
57	930-446	TAPPING SCREW (W/WASHER) D4X16	1	
* 58	500-201Z	CORD	1	(CORD ARMOR D10.1)
* 58	500-409Z	CORD	1	(CORD ARMOR D8.8) FOR INA,SUR,ITA,FRG, FRA,HOL,DEN,FIN,SWE,AUT,NOR
* 58	500-245Z	CORD	1	(CORD ARMOR D10.1) FOR SYR
* 58	938-310P	CORD	1	(CORD ARMOR D8.8) FOR USA,CAN
* 58	500-395Z	CORD	1	(CORD ARMOR D8.8) FOR SUI
* 58	971-675Z	CORD	1	(CORD ARMOR D8.8) FOR SAF,GBR (110V)
* 58	500-223Z	CORD	1	(CORD ARMOR D10.1) FOR SIN,KUW
* 58	500-226Z	CORD	1	(CORD ARMOR D8.8) FOR NGU
* 58A	500-436Z	CORD	1	(CORD ARMOR D8.8) FOR GBR (240V)
59	960-266	CORD CLIP	1	
* 61	981-373	TUBE (D)	2	EXCEPT FOR NGU,SAF

* : ALTERNATIVE PARTS

STANDARD ACCESSORIES

G 12S1

ITEM NO.	CODE NO.	DESCRIPTION	NO. USED	REMARKS
501	938-332Z	WRENCH	1	
* 502	302-142	SIDE HANDLE	1	
* 502	302-739	SIDE HANDLE (C)	1	FOR USA,CAN

OPTIONAL ACCESSORIES

ITEM NO.	CODE NO.	DESCRIPTION	NO. USED	REMARKS
* 601	994-312	WHEEL WASHER (C) FOR D20 HOLE	1	FOR USA
* 602	994-313	WHEEL WASHER (C) FOR D22.2 HOLE	1	FOR USA
* 603	303-058	DIAMOND WHEEL (SEGMENT) 105MM - D20 HOLE	1	FOR USA
* 604	303-059	DIAMOND WHEEL 105MM - D20 HOLE	1	FOR USA
* 605	303-681	WASHER (FOR DIAMOND WHEEL)	1	FOR USA
606	994-314	DIAMOND WHEEL (SEGMENT) 115MM - D22.2 HOLE	1	FOR CONCRETE
607	994-315	DIAMOND WHEEL 115MM - D22.2 HOLE	1	WAVE SHAPE TYPE FOR CONCRETE
608	994-316	DIAMOND WHEEL (SEGMENT) 115MM - D22.2 HOLE	1	FOR ABRASIVE MATERIALS
* 609	937-817Z	WHEEL WASHER	1	FOR DIAMOND WHEEL FOR AUS
* 610	994-312	WHEEL WASHER (C) FOR D20 HOLE	1	FOR DIAMOND WHEEL HOLE 20MM FOR USA
* 611	994-313	WHEEL WASHER (C) FOR D22.2 HOLE	1	FOR DIAMOND WHEEL HOLE 7/8" FOR USA
612	994-317	DIAMOND WHEEL (MORTAR RAKING) 115MM - D22.2	1	
613	994-318	DIAMOND WHEEL (MORTAR RAKING) 115MM - D22.2	1	
* 614	307-006	DIAMOND WHEEL (SEGMENT) 115MM - D22.2 HOLE	1	FOR EUROPE

* : ALTERNATIVE PARTS