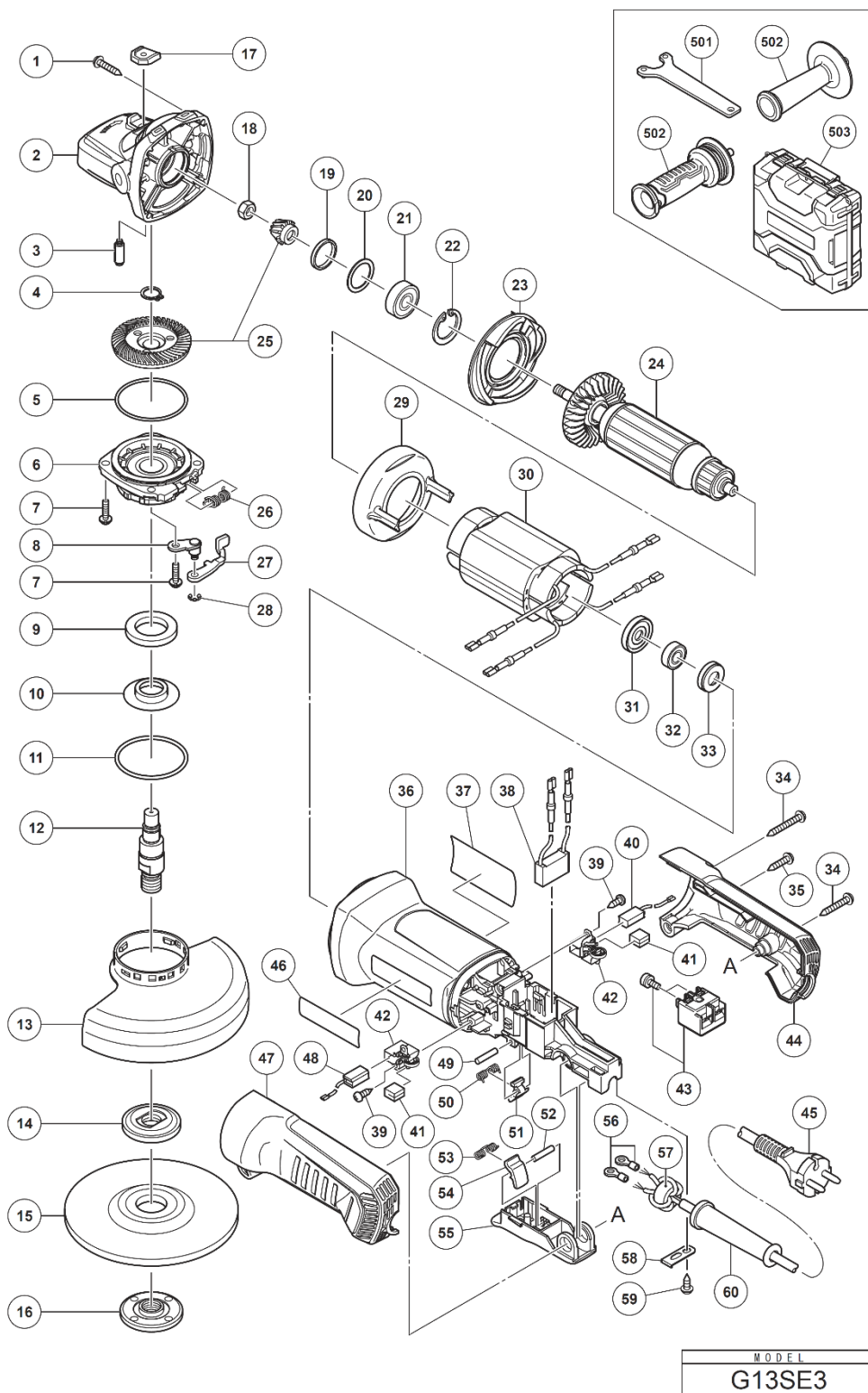


ELECTRIC TOOL PARTS LIST

■ GRINDER
Model G 13SE3

2020 • 12 • 01
(E1)



PARTS

G13SE3

ITEM NO.	CODE NO.	DESCRIPTION	NO. USED	REMARKS
1	307028	TAPPING SCREW (W/FLANGE) D4X25 (BLACK)	4	
2	375889	GEAR COVER	1	
3	301943	LOCK PIN	1	
4	939542	RETAINING RING FOR D12 SHAFT (10 PCS.)	1	
5	375899	O-RING	1	
6	375887	PACKING GLAND	1	
7	376226	SEAL LOCK SCREW (W/SP. WASHER) M4X14	4	
8	375894	LEVER HOLDER	1	
9	376227	FELT PACKING	1	
10	376228	FRINGER	1	
11	375900	O-RING	1	
*12	375896	SPINDLE	1	FOR USA.CAN
13	375904	WHEEL GUARD	1	
*14	319373	WHEEL WASHER	1	FOR USA.CAN
15	316822	D. C. WHEELS 125MM A36Q (25 PCS.)	1	
*16	937923P	WHEEL NUT 5/8"-11UNC	1	FOR USA.CAN
17	336535	PUSHING BUTTON	1	
18	301941	SPECIAL NUT M7	1	
19	308543	SEAL RING (A)	1	
20	980866	WASHER (C)	1	
21	629VVM	BALL BEARING 629VV	1	
22	939554	RETAINING RING FOR D26 HOLE (10 PCS.)	1	
23	336542	DIFFUSER	1	
*24	361131U	ARMATURE ASS'Y 120V	1	INCLUD. 21.31.32
25	375888	GEAR AND PINION SET	1	
26	376229	SPRING	1	
27	375892	LEVER	1	
28	6685336	RETAINING RING D4	1	
29	336530	FAN GUIDE	1	
*30	341071D	STATOR 120V	1	
31	336536	DUST SEAL	1	
32	336871	BALL BEARING 698SS	1	
33	309929	RUBBER BUSHING	1	
34	303694	TAPPING SCREW (W/FLANGE) D4X35 (BLACK)	2	
35	301653	TAPPING SCREW (W/FLANGE) D4X20 (BLACK)	1	
36	375879	HOUSING	1	
37		NAME PLATE	1	
39	328210	TAPPING SCREW D3X8	4	
*40	999076	CARBON BRUSH (AUTO STOP TYPE) (1 PAIR)	1	
41	336872	CUSHION SPONGE	2	
42	336537	BRUSH HOLDER	2	
*43	376231	PUSHING BUTTON SWITCH	1	FOR GBR(110V).USA.CAN
44	375881	TAIL COVER (B)	1	
*45	500407Z	CORD	1	FOR USA.CAN
46		BRAND LABEL	1	
47	375880	TAIL COVER (A)	1	
48	999088	CARBON BRUSH (1 PAIR)	1	
49	375902	PIN	1	FOR RUS.U.S.A.CAN.EUROPE(S)
50	375901	SPRING	1	FOR RUS.U.S.A.CAN.EUROPE(S)
51	375885	ON LOCK LEVER	1	FOR RUS.U.S.A.CAN.EUROPE(S)
52	375902	PIN	1	
53	375901	SPRING	1	
54	375886	OFF LOCK LEVER	1	
*55	375883	SWITCH LEVER	1	FOR W/ON LOCK LEVER
56	980063	TERMINAL	2	
58	937631	CORD CLIP	1	
59	305720	TAPPING SCREW (W/FLANGE) D4X12	1	
60	953327	CORD ARMOR D8.8	1	

STANDARD ACCESSORIES

G13SE3

ITEM NO.	CODE NO.	DESCRIPTION	NO. USED	REMARKS
501	938332Z	WRENCH	1	
*502	994322	SIDE HANDLE	1	

OPTIONAL ACCESSORIES

ITEM NO.	CODE NO.	DESCRIPTION	NO. USED	REMARKS

