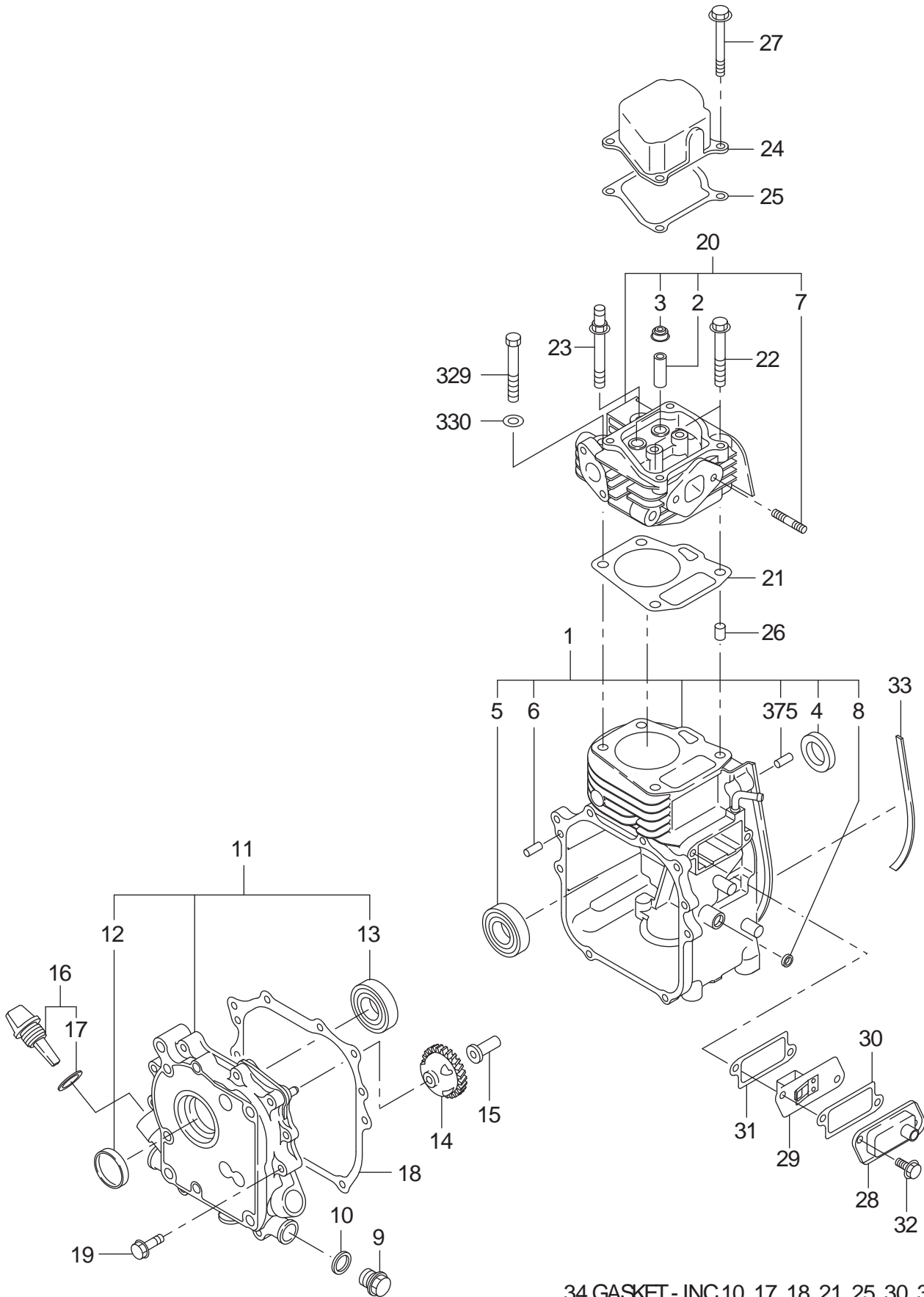
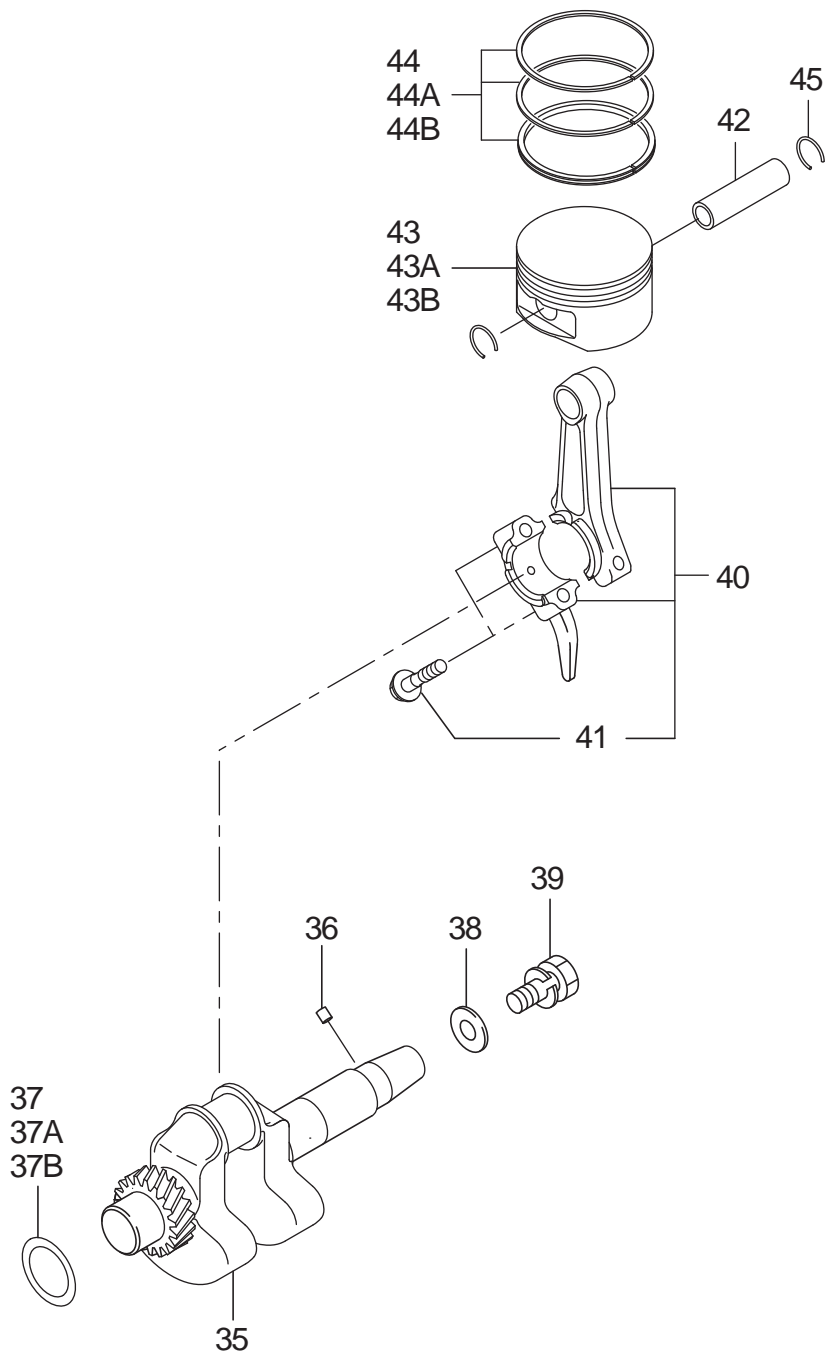


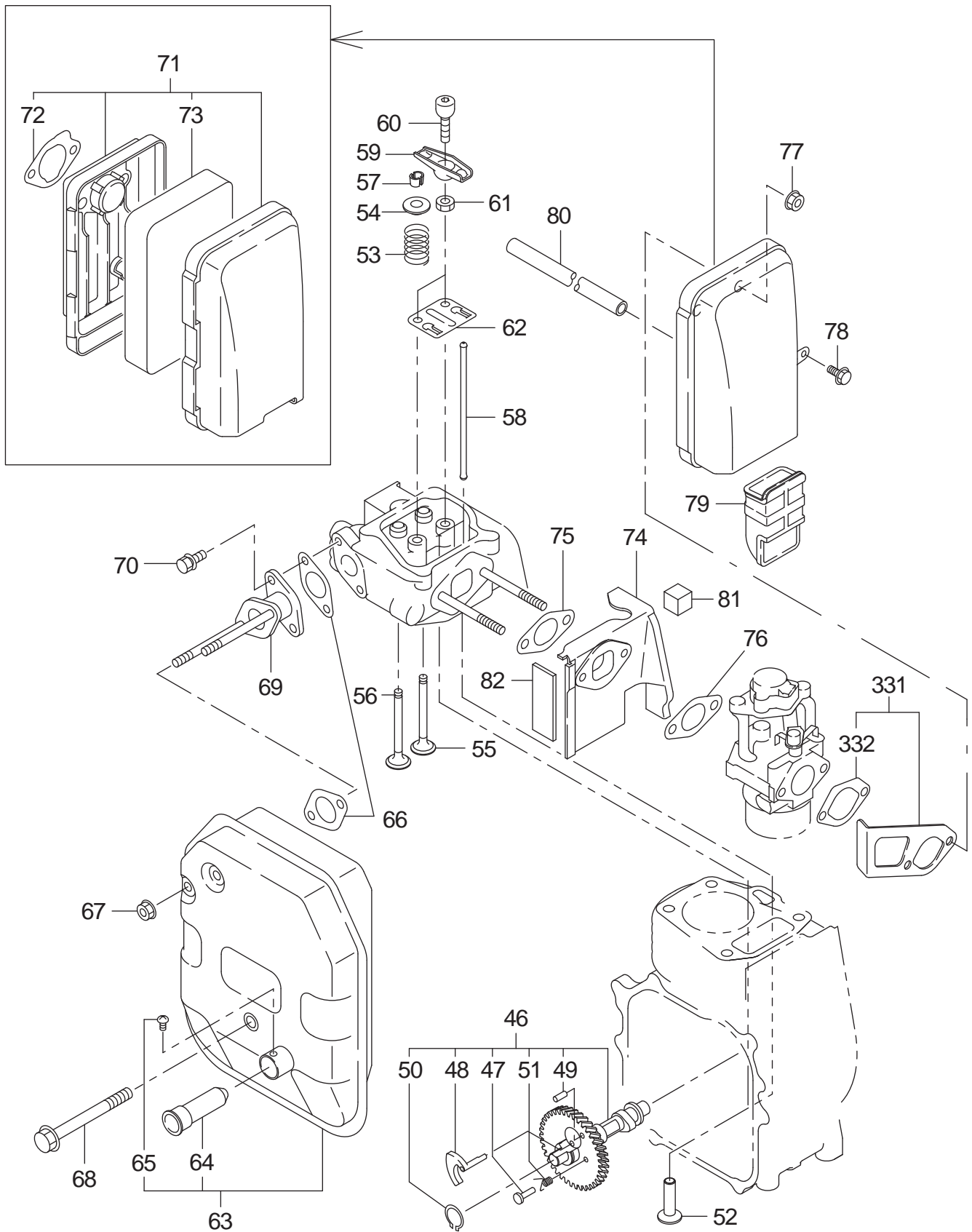


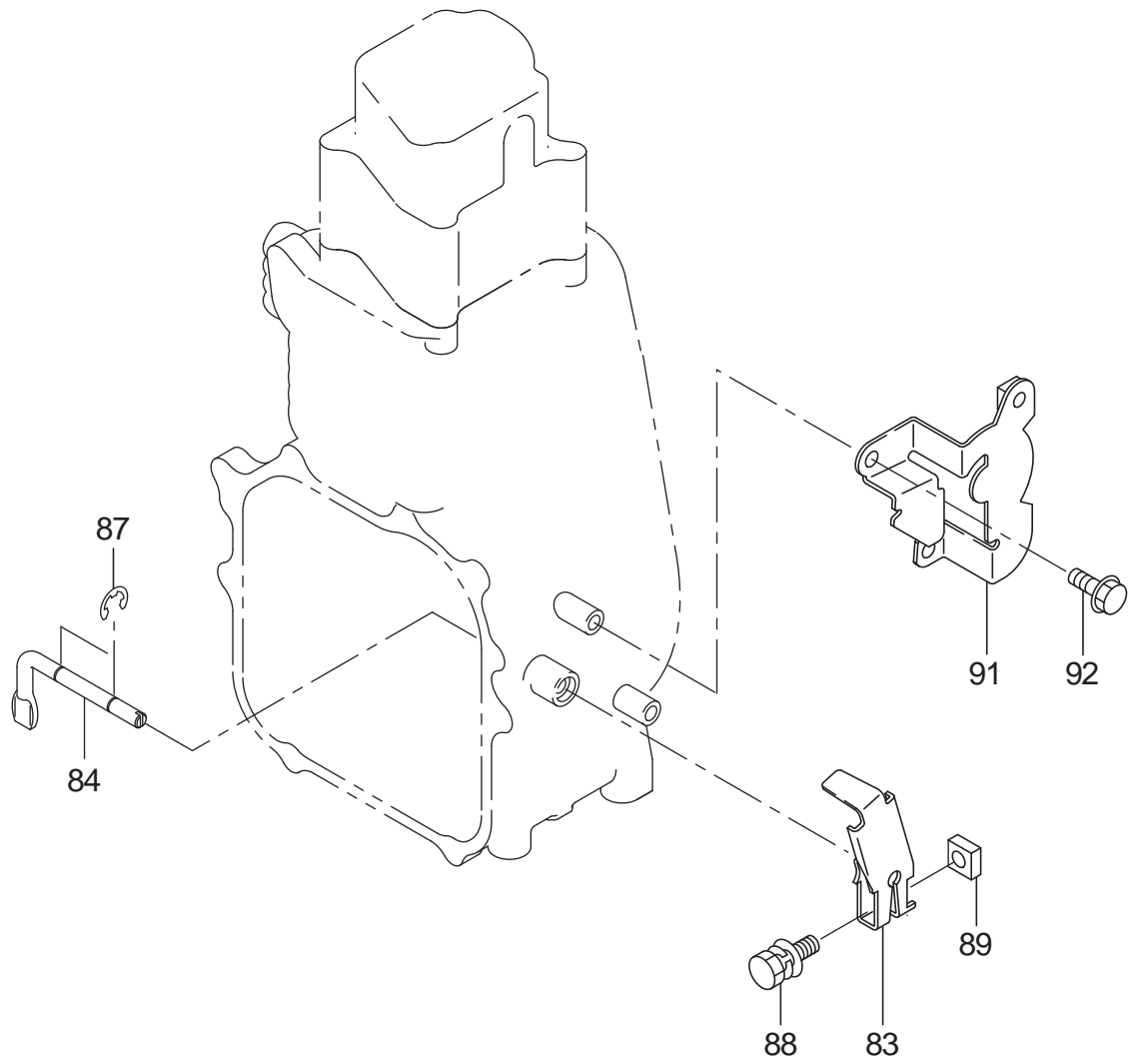
07- 2010
G1700I
INVERTER GENERATOR 1700WATT

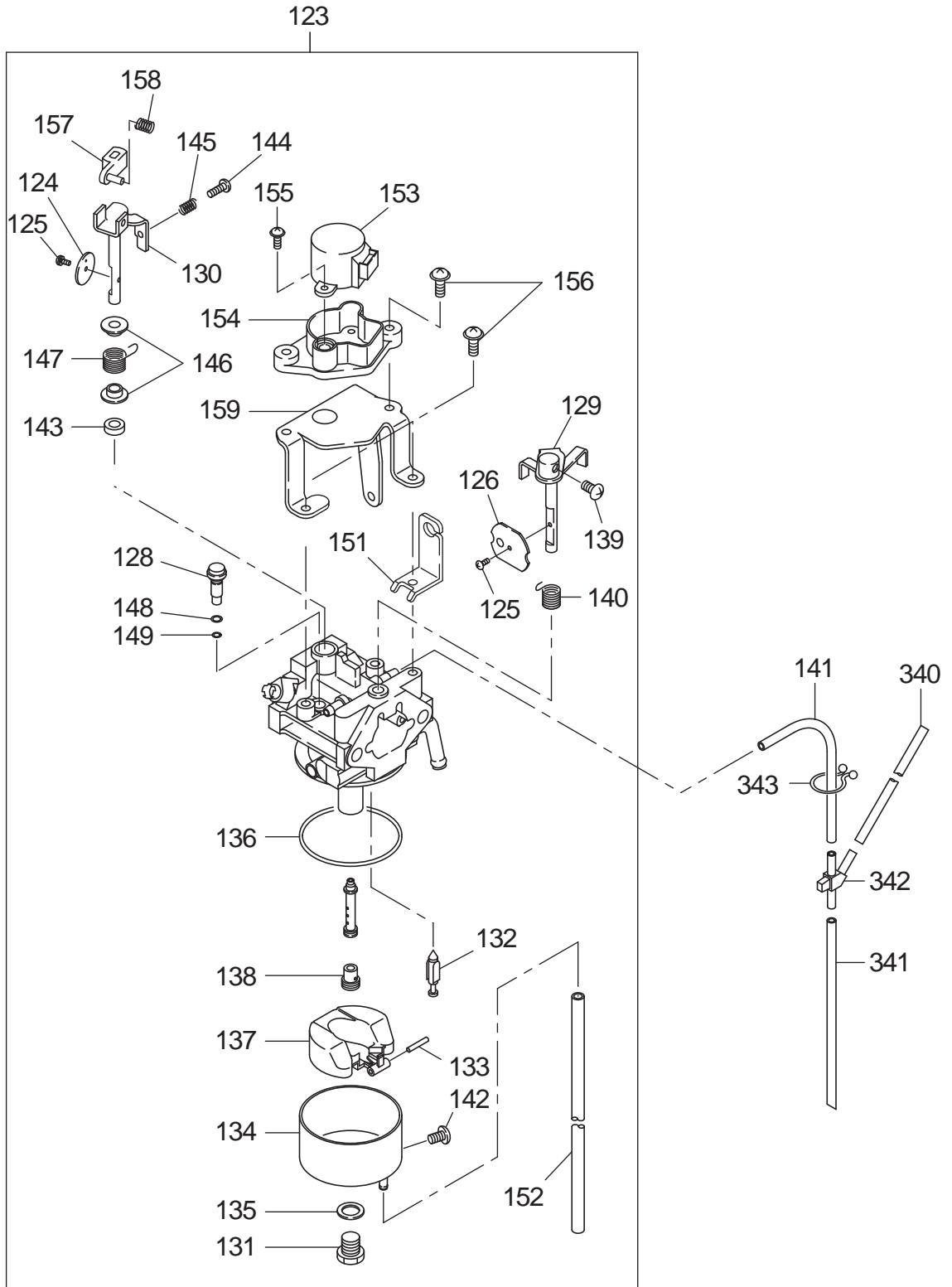


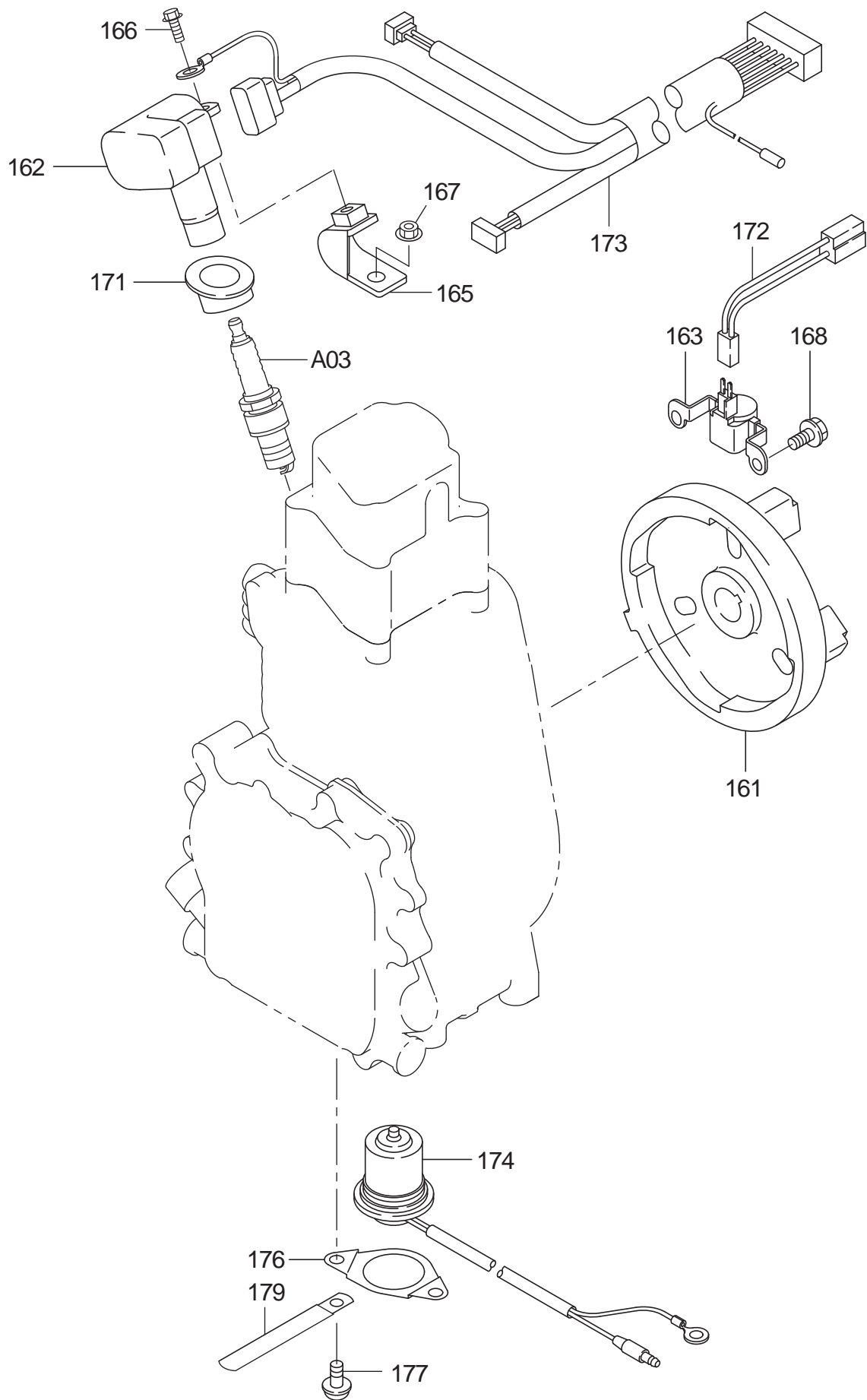
34 GASKET - INC.10, 17, 18, 21, 25, 30, 31, 66, 75, 76

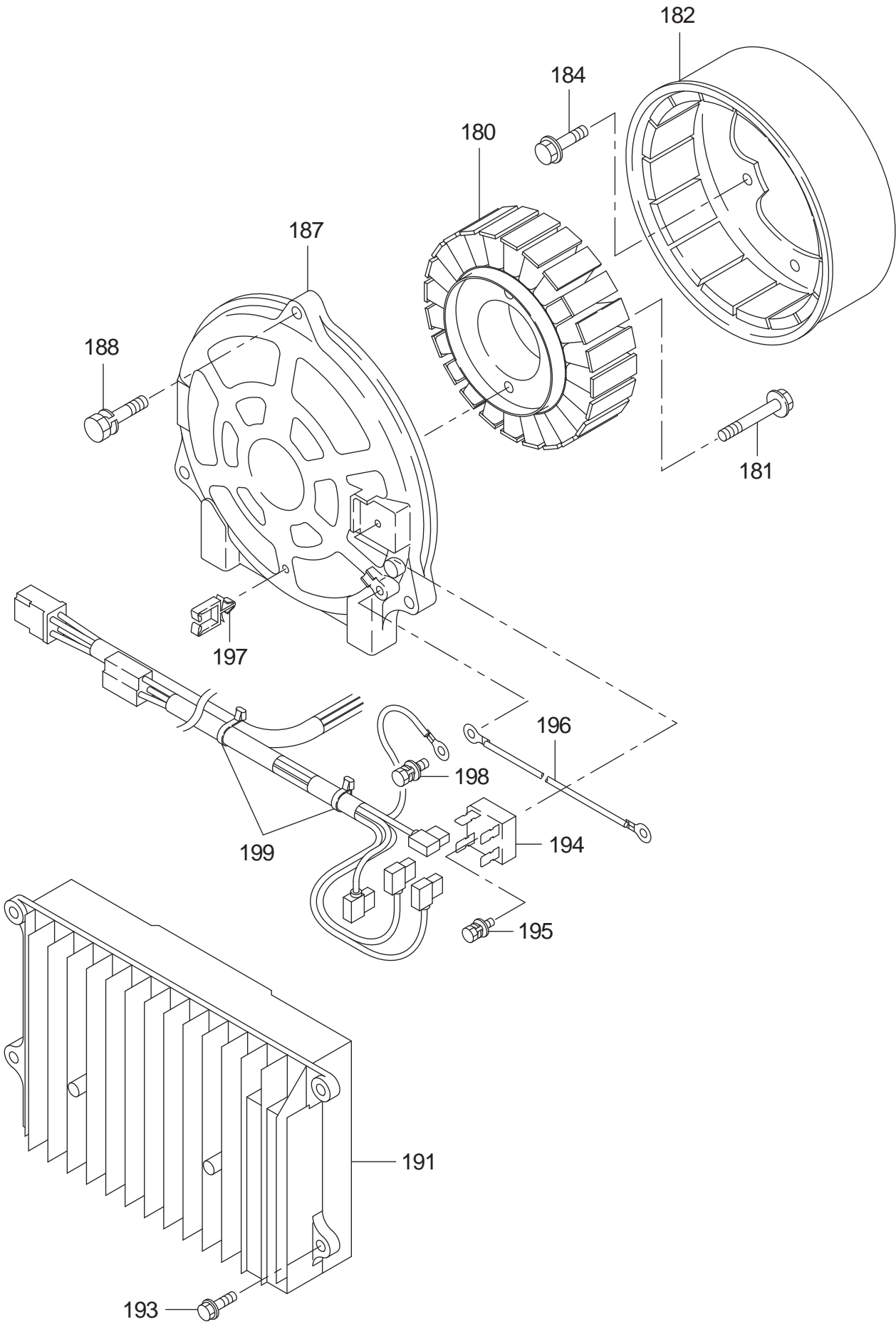


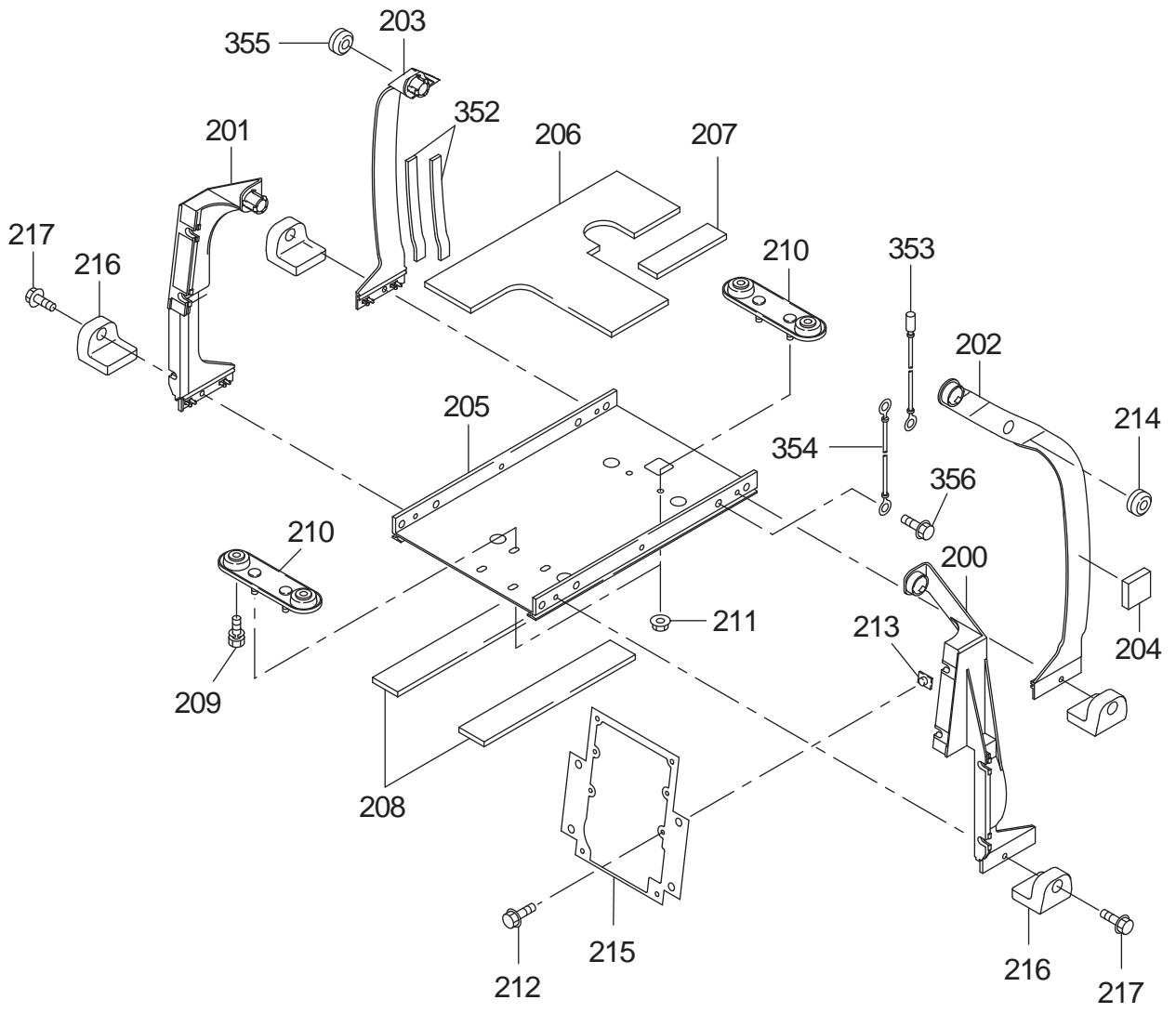




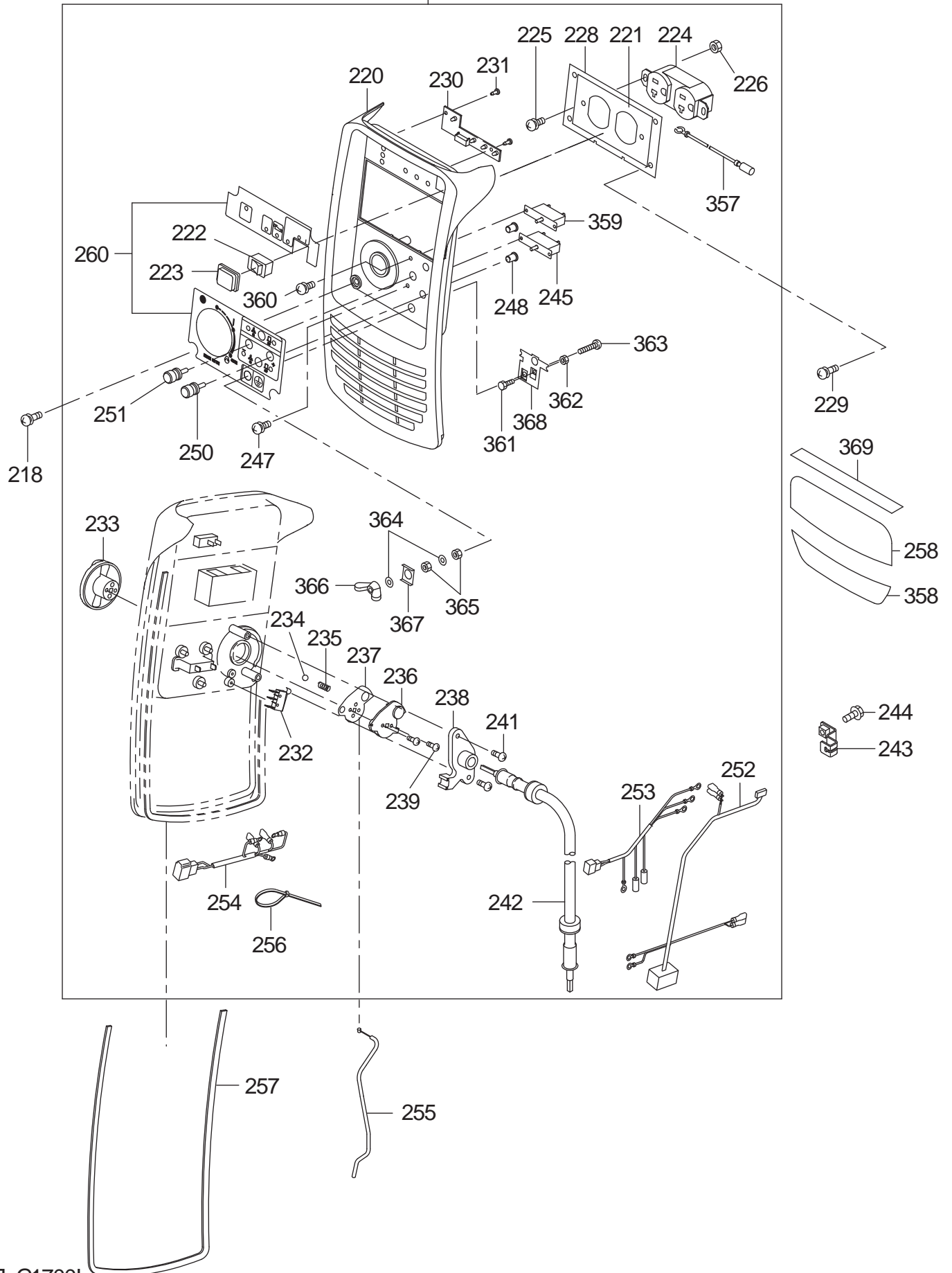


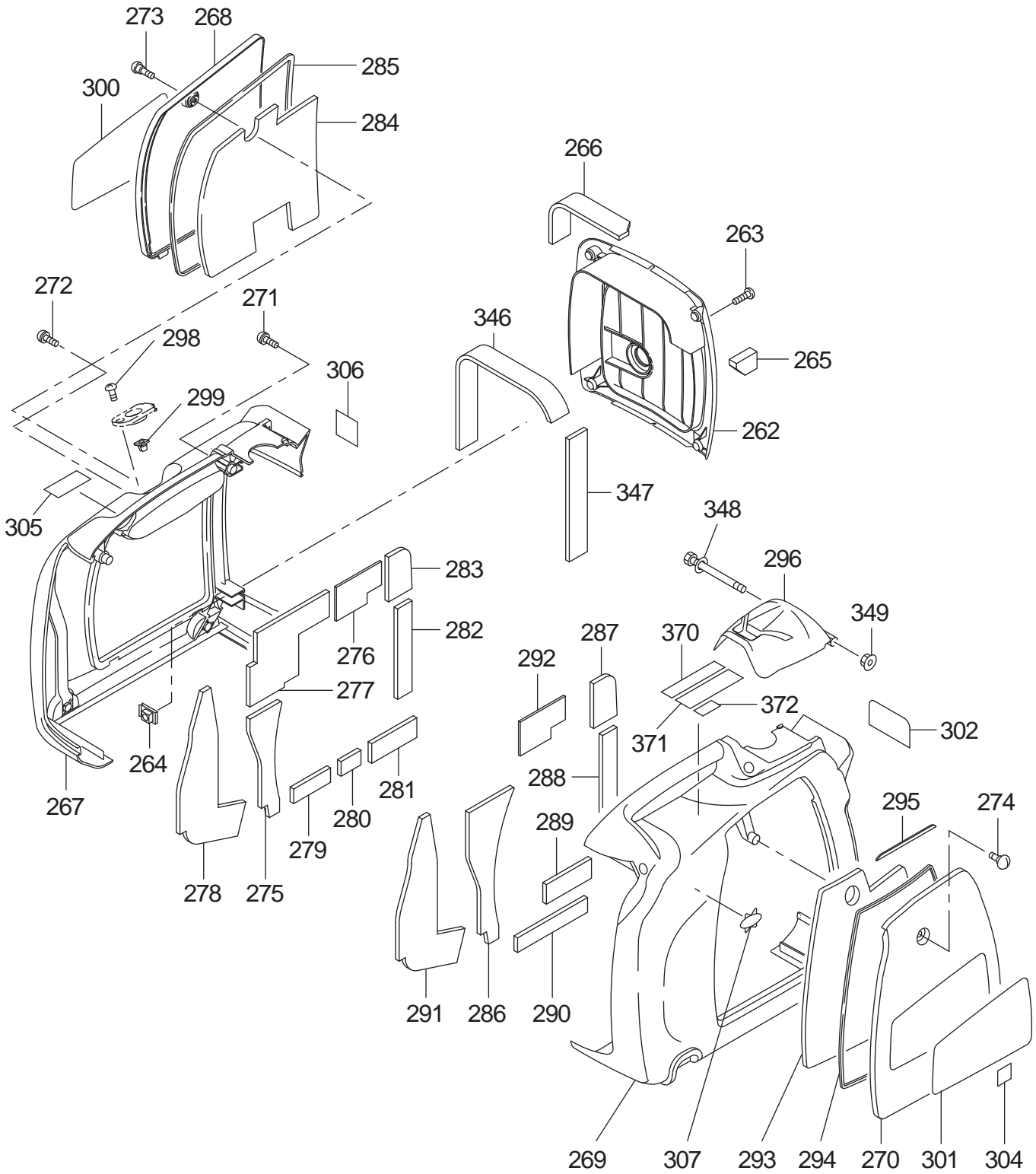


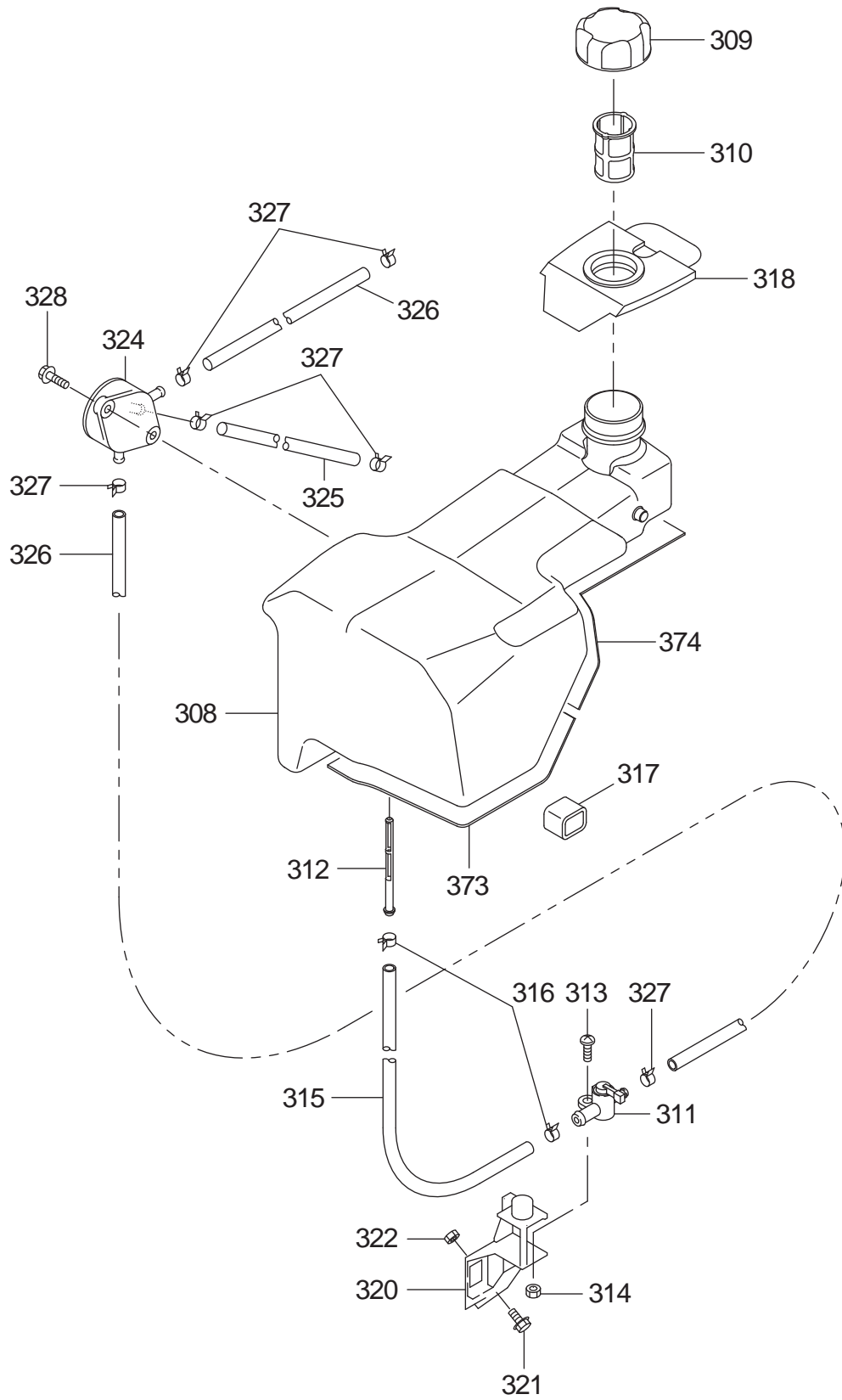




219







Item No	Type	Ref	Part No	Description	Qty	Unit
1			284-10103-01	CRANKCASE COMPLETE	1	PC.
		INC.		Item No.4-6, 8,375		
2			237-14202-03	VALVE GUIDE	2	PC.
3			277-16010-01	STEM SEAL	1	PC.
4			044-02000-70	OIL SEAL 20X32X6	1	PC.
5			060-02001-40	BALL BEARING	1	PC.
6			031-00600-20	DOWEL PIN	2	PC.
7			010-50604-20	STUD	2	PC.
8			044-00600-20	OIL SEAL 6DX10DX2.5B	1	PC.
9			040-11400-30	PLUG	1	PC.
10			021-11400-20	GASKET	1	PC.
11			284-11201-11	MAIN BEARING COVER COMPLETE	1	PC.
		INC.		Item No.12-13		
12			230-17102-03	PLUG(RUBBER)	1	PC.
13			060-02001-40	BALL BEARING	1	PC.
14			284-45003-01	GOVERNOR GEAR COMPLETE	1	PC.
15			205-41901-03	GOVERNOR SLEEVE	1	PC.
16	1		230-63601-01	OIL GAUGE COMPLETE	1	PC.
		INC.		Item No.17		
	2		230-63601-11	OIL GAUGE COMPLETE	1	PC.
		INC.		Item No.17		
	3		20F-63601-11	OIL GAUGE COMPLETE	1	PC.
		INC.		Item No.17		
17	1		021-31600-20	GASKET 16DX23X1.2T	1	PC.
	2		X21-31600-20	GASKET 16DX23X1.2T	1	PC.
	3		277-63601-08	GASKET	1	PC.
18			284-16003-03	GASKET(BEARING COVER)	1	PC.
19			011-00601-01	FLANGE BOLT	8	PC.
	3		20F-13003-21	* CYLINDER HEAD COM	1	PC.
		INC.		* Item No.2,3,7		
21			284-15001-13	GASKET(HEAD)	1	PC.
22			011-00802-10	FLANGE BOLT	2	PC.
23			011-00803-01	FLANGE BOLT	1	PC.
24			284-15501-03	ROCKER COVER	1	PC.
25	1		284-16004-03	GASKET(ROCKER COVER) - N/L/A	1	PC.
	2		284-16007-03	GASKET(ROCKER COVER)	1	PC.
26			277-15011-03	PIPE KNOCK 10.3DX8.5DX14L	2	PC.
27			011-00604-20	FLANGE BOLT	4	PC.
28			284-14301-01	BREATHER COVER COMPLETE	1	PC.
29			284-14401-01	BREATHER PLATE COMPLETE	1	PC.
30	1		230-16006-13	GASKET(TAPPET COVER)	1	PC.
	2		284-16008-03	GASKET(TAPPET COVER)	1	PC.
31			230-16007-03	GASKET	1	PC.
32			011-00600-20	FLANGE BOLT M6X1.0X14DX12L	2	PC.
33			33K-58317-03	SPONGE CRANK	1	PC.
34	1		284-99002-17	GASKET SET	1	PC.
		INC.		Item No.10,17,18,21,25,30,31,66,75,76		
	2		284-99002-27	GASKET SET	1	PC.
		INC.		Item No.10,17,18,21,25,30,31,66,75,76		
35	3		20F-20601-01	* CRANKSHAFT CP	1	PC.
36	2		005-32031-01	* WOODRUFF KEY	1	PC.
37			023-02001-00	SPACER T=0.8	1	PC.
37A			023-02001-10	SPACER T=1.0	1	PC.
37B			023-02001-20	SPACER T=1.2	1	PC.
38	2		020-01500-40	* WASHER	1	PC.
39	2		002-18140-00	* NUT	1	PC.

Item No	Type	Ref	Part No	Description	Qty	Unit
40	1		284-22501-20	CONNECTING ROD ASSY	1	PC.
		INC.		Item No. 41		
	2		284-22501-30	CONNECTING ROD ASSY	1	PC.
		INC.		Item No. 41		
	3		20F-22501-30	CONNECTING ROD ASSY	1	PC.
		INC.		Item No. 41		
41			284-23001-03	CONNECTING ROD BOLT	2	PC.
42	1		230-23301-03	PISTON PIN	1	PC.
	2		20F-23301-03	PISTON PIN 8DX11D	1	PC.
43	1		274-23401-03	PISTON STANDARD	1	PC.
	3		20F-23401-H3	PISTON	1	PC.
43A	1		274-23402-03	PISTON 0.25 OVER SIZE	1	PC.
	3		20F-23402-H3	PISTON 0.25 OVER SIZE	1	PC.
43B	1		274-23403-03	PISTON 0.50 OVER SIZE	1	PC.
	3		20F-23403-H3	PISTON 0.50 OVER SIZE	1	PC.
44	1		284-23501-07	PISTON RING SET STANDARD	1	PC.
	2		274-23501-07	PISTON RING SET STANDARD	1	PC.
044A			274-23502-07	PISTON RING SET 0.25 OVER SIZE	1	PC.
044B			274-23503-07	PISTON RING SET 0.50 OVER SIZE	1	PC.
45			056-51100-10	CLIP	2	PC.
46	1		284-31701-21	CAMSHAFT CP	1	PC.
		INC.		Item No.48-51		
	2		20F-31702-11	CAMSHAFT CP	1	PC.
		INC.		Item No.47-51		
47			227-38601-23	PIN 3.8DX7.5DX14L	1	PC.
48			284-36401-03	RELEASE LEVER	1	PC.
49			005-19041-00	SPRING PIN	1	PC.
50			003-15170-00	OUTER SNAP RING	1	PC.
51			274-38701-23	RETURN SPRING	1	PC.
52			274-33301-03	TAPPET	2	PC.
53			274-33601-03	VALVE SPRING	2	PC.
54			274-33702-03	SPRING RETAINER	2	PC.
55	1		274-33401-03	* INTAKE VALVE	1	PC.
	2		284-33401-H3	* INTAKE VALVE	1	PC.
	3		20F-33401-03	* INTAKE VALVE	1	PC.
56	1		274-33501-03	* EXHAUST VALVE	1	PC.
	2		284-33501-H3	* EXHAUST VALVE	1	PC.
	3		20F-33502-03	* EXHAUST VALVE	1	PC.
57			132-10KA0-31	COLLET VALVE	4	PC.
58			274-35301-03	PUSH ROD	2	PC.
59	2		284-36001-13	ROCKER ARM	2	PC.
	3		20F-36001-13	ROCKER ARM	2	PC.
60			269-35801-03	BOLT (PIVOT)	2	PC.
61			017-00600-90	NUT	2	PC.
62			274-36501-03	GUIDE PLATE	1	PC.
63			284-30201-20	MUFFLER ASSY	1	PC.
		INC.		Item No.64,65		
64			269-37601-01	SPARK ARRESTOR COMPLETE	1	PC.
65			015-00400-60	TAPPING SCREW M4X6L	1	PC.
66			230-35204-01	GASKET COMPLETE(EXHAUST)	2	PC.
67			018-00600-30	FLANGE NUT M6	2	PC.
68			011-00801-10	FLANGE BOLT M8X1.25X80L	1	PC.
69			284-34101-13	EXHAUST PIPE	1	PC.
70			001-14061-60	BOLT & WASHER ASS'Y	2	PC.
71			284-32630-00	AIR CLEANER ASS'Y	1	PC.
		INC.		Item No.72,73		
72			227-36004-13	GASKET	1	PC.
73			284-32631-08	ELEMENT	1	PC.

Item No	Type	Ref	Part No	Description	Qty	Unit
74			284-32903-03	INSULATOR	1	PC.
75			227-35902-03	GASKET 2 INSULATOR	1	PC.
76	2		157-35001-03	GASKET(INSULATOR)	1	PC.
77			002-38060-00	FLANGE NUT M6	2	PC.
78	2		011-00601-40	FLANGE BOLT	1	PC.
79			284-32101-03	DUCT	1	PC.
80	2		085-10800-00	RUBBER PIPE (8DX11D)	1	PC.
81			33K-58315-13	SPONGE INS	1	PC.
82			33K-58321-13	SPONGE INS 2	1	PC.
83			284-42305-03	GOVERNOR LEVER	1	PC.
84			230-42201-01	GOVERNOR SHAFT CP	1	PC.
87			003-13050-00	CLIP	2	PC.
88			001-14062-50	BOLT & WASHER ASS'Y	1	PC.
89			018-60600-20	NUT M6X1.0X4.9H	1	PC.
91			284-46003-03	CONTROL BRACKET	1	PC.
92			011-00600-10	FLANGE BOLT M6X1.0X14DX8L	2	PC.
95			284-51201-03	BLOWER HOUSING	1	PC.
96			284-55501-03	GROMMET	1	PC.
97			011-00801-60	FLANGE BOLT	1	PC.
98			011-00803-02	FLANGE BOLT	3	PC.
99			284-53601-01	CYLINDER BAFFLE COMPLETE	1	PC.
100			011-00801-50	FLANGE BOLT M8X12L	3	PC.
101			011-00600-20	FLANGE BOLT M6X1.0X14DX12L	1	PC.
102			284-54201-13	COOLING FAN	1	PC.
103			056-60002-60	CLAMP	1	PC.
104	1		284-50221-10	RECOIL ASSY	1	PC.
		INC.		Item No.105-106,A02,108-117		
	2		284-50221-20	RECOIL ASSY (With Mark)	1	PC.
		INC.		Item No.105-106,A02,108-117		
105			284-50224-08	SPIRAL SPRING	1	PC.
106			284-50222-08	REEL	1	PC.
108	1		530-50021-10	STARTER KNOB	1	PC.
	2		20F-50100-18	STARTER KNOB	1	PC.
109			284-50223-08	RACHET	1	PC.
110			284-50226-08	FRICTION SPRING	1	PC.
111			284-50227-08	RETURN SPRING	1	PC.
112			284-50225-18	FRICTION PLATE	1	PC.
113			284-50231-08	RETAINING RING C TYPE	1	PC.
114			284-56101-03	ROPE GUIDE	1	PC.
115			33K-53001-03	GUIDE COMPLETE	1	PC.
116			284-50229-08	RETAINING RING E TYPE	1	PC.
117			284-50228-08	RACHET GUIDE	1	PC.
118			011-00601-40	FLANGE BOLT M6X18L	3	PC.
120			284-51203-03	SEAL, SPONGE B/H	1	PC.
121			284-53606-23	INSULATION SEAT B1	1	PC.
122			284-53605-03	SEAL, RUBBER	1	PC.
123	1		284-62302-20	CARBURETOR ASSY - N/L/A	1	PC.
		INC.		Item No.124-126,128-140,142-149,151-159		
	2		284-62302-30	CARBURETOR ASSY	1	PC.
		INC.		Item No.124-126,128-140,142-149,151-159		
	3		284-62302-40	CARBURETOR ASSY	1	PC.
		INC.		Item No.124-126,128-140,142-149,151-159		
124			284-62535-08	THROTTLE VALVE	1	PC.
125			284-62455-08	SCREW	2	PC.
126	2		284-62527-08	CHOKE VALVE - N/L/A for individual sale due to difficulty of repair	1	PC.
128			284-62420-08	SLOW JET	1	PC.
129			284-62520-08	CHOKE LEVER	1	PC.

Item No	Type	Ref	Part No	Description	Qty	Unit
130			284-62531-08	THROTTLE SHAFT ASSY	1	PC.
131			284-62355-08	BOLT	1	PC.
132			279-62500-08	VALVE ASSEMBLY, NEEDLE	1	PC.
133			284-62515-08	PIN	1	PC.
134			284-62550-08	FLOAT BODY	1	PC.
135			251-62350-08	GASKET	1	PC.
136			284-62540-08	CHAMBER PACKING	1	PC.
137			284-62505-08	FLOAT ASSY	1	PC.
138			284-62400-08	MAIN JET	1	PC.
139			284-62456-08	SCREW	1	PC.
140			284-62445-08	SPRING(CHOKE)	1	PC.
141	1		085-00300-40	VINYL PIPE - N/L/A	1	PC.
	2		085-09300-00	VINYL PIPE	1	PC.
	3		284-67001-11	* OVERFLOW PIPE CP	1	PC.
		INC.		Item No.342		
142			251-62661-08	SCREW(DRAIN)	1	PC.
143			251-62559-08	BUSH	1	PC.
144			284-62353-08	AJUST SCREW	1	PC.
145			279-62445-08	SPRING	1	PC.
146			284-62561-08	COLLAR	2	PC.
147			284-62315-08	SPRING(THROTTLE)	1	PC.
148			284-62451-08	O RING	1	PC.
149			284-62450-08	O RING	1	PC.
151			284-62570-18	BRACKET, WIRE	1	PC.
152			284-62566-18	PIPE	1	PC.
153			284-62580-08	MOTOR	1	PC.
154			284-62576-08	BRACKET(MOTOR)	1	PC.
155			284-62458-08	SCREW	2	PC.
156			284-62457-08	SCREW	5	PC.
157			284-62555-08	JOINT LEVER	1	PC.
158			284-62446-08	SPRING	1	PC.
159			284-62575-08	BRACKET	1	PC.
161	2		284-79350-31	* FLYWHEEL	1	PC.
162			284-79530-01	IGNITION COIL COMPLETE	1	PC.
163			284-79540-01	PULSER COIL COMPLETE	1	PC.
165			284-79561-01	IGNITION COIL BRACKET	1	PC.
166			011-00600-30	FLANGE BOLT M6X1.0X14DX14L	1	PC.
167			002-38080-00	FLANGE NUT	1	PC.
168			011-00600-10	FLANGE BOLT M6X1.0X14DX8L	2	PC.
171			284-75501-03	GROMMET (PLUG)	1	PC.
172			284-79581-03	PULSER COIL HARNESS	1	PC.
173	2		34K-21101-13	ENGINE HARNESS	1	PC.
	3		34K-21101-23	ENGINE HARNESS	1	PC.
174			230-76301-11	OIL SENSOR	1	PC.
176			230-75801-03	SENSOR RETAINER	1	PC.
177			004-35061-00	SCREW & WASHER ASS'Y	2	PC.
179			226-75101-03	CLAMP	1	PC.
180	1		34K-20051-01	STATER COMPLETE	1	PC.
	2		34K-20051-11	STATER COMPLETE	1	PC.
181			34K-20902-08	FLANGE BOLT	2	PC.
182			34K-20061-01	ROTOR COMPLETE	1	PC.
184			001-04061-20	FLANGE BOLT	3	PC.
187			34K-20901-08	REAR COVER	1	PC.
188			011-00601-01	FLANGE BOLT	3	PC.
191	5		KU5-12032-01	INV&E/G C/U COMPLETE	1	PC.
193			011-00601-40	FLANGE BOLT M6X18L	4	PC.
194			34K-20903-08	RECTIFIER	1	PC.
195			34K-20904-08	SCREW	1	PC.

Item No	Type	Ref	Part No	Description	Qty	Unit
196			34K-42003-01	EARTH WIRE CP	1	PC.
197			34K-20906-08	CLAMP	1	PC.
198			34K-20905-08	SCREW	1	PC.
199			34K-20907-08	BAND	2	PC.
200			33K-37101-03	FRONT FRAME(R)	1	PC.
201			33K-37201-03	FRONT FRAME(L)	1	PC.
202			33K-37301-03	REAR FRAME(R)	1	PC.
203			33K-37401-03	REAR FRAME(L)	1	PC.
204			33K-58413-03	SPONGE REAR FRAME 35X35X10	1	PC.
205			34K-30602-03	BASE INV	1	PC.
206			33K-58310-03	SPONGE BASE	1	PC.
207			33K-58311-03	SPONGE BASE 2 30X110X20	1	PC.
208			33K-58320-03	SPONGE BASE 3 40X240X1.5	2	PC.
209			001-14082-00	BOLT & WASHER ASS'Y	4	PC.
210			33K-30101-01	MOUNT BASE COMPLETE	2	PC.
211			002-38060-00	FLANGE NUT M6	4	PC.
212			011-00600-20	FLANGE BOLT M6X1.0X14DX12L	4	PC.
213			33K-38001-03	NUT	8	PC.
214			33K-38005-03	GROMMET(REAR FRAME)	1	PC.
215			33K-37601-03	BACK PANEL COMPLETE	1	PC.
216			33K-36101-01	MOUNT COMPLETE	4	PC.
217	2		011-00601-40	FLANGE BOLT	4	PC.
218			014-00501-00	SCREW	4	PC.
219	4		34K-46820-10	* CONTROL PANEL ASSY	1	PC.
		INC.		* Item No.220-226,228,230-237,239		
		INC.		* Item No.241,245,250-254,256,260		
		INC.		* Item No.357,359,361-368,376-379		
220	2		33K-40102-03	* FRONT PANEL	1	PC.
221	2		34K-48905-13	* FILM CONCENT	1	PC.
222	1		34K-41812-03	ROCKER SWITCH	1	PC.
	2		33B-40007-08	ROCKER SWITCH	1	PC.
223			34K-41813-03	SWITCH COVER	1	PC.
224	2		33K-49950-01	AC RECEPTACLE	1	PC.
225			351-49920-08	SCREW AND WASHER ASSY M4X10L	2	PC.
226			002-17040-00	NUT	2	PC.
228			33K-40700-03	CONSENT BRACKET	1	PC.
229			013-10400-60	SCREW AND WASHER ASS'Y	4	PC.
230	2		KD3-11001-11	* LED INDICATOR COM	1	PC.
231			015-00300-20	TAPPING SCREW	2	PC.
232	1		33K-41811-03	MICRO SWITCH	1	PC.
	2		33K-41812-03	MICRO SWITCH	1	PC.
233			33K-42010-03	CONTROL DIAL	1	PC.
234			33K-42071-03	BALL(DIAL)	1	PC.
235			33K-42074-03	SPRING(DIAL)	1	PC.
236			33K-42020-03	CHOKE REEL	1	PC.
237			33K-42030-23	PLATE	1	PC.
238			33K-42040-03	* WIRE PLATE (Old, Type 1 ~ 2)	1	PC.
239			015-00400-70	TAPPING SCREW	2	PC.
241	1		33K-41814-08	TAPPING SCREW M3X16L	2	PC.
	2		33B-40001-08	TAPPING SCREW	2	PC.
242			33K-42050-11	* ROLLING WIRE COM (Old, Type 1 ~ 2)	1	PC.
243			33K-42080-03	CHOKE BRACKET	1	PC.
244			011-00600-10	FLANGE BOLT M6X1.0X14DX8L	1	PC.
245	4		32B-43402-01	* CIRCUIT BREAKER (10A)	1	PC.
247			013-10300-10	* SCREW AND WASHER ASS'Y (Old, Type 1 ~ 3) - N/L/A	2	PC.
248			33K-41817-03	* BREAKER CAP (Old, Type 1 ~ 3) - N/L/A	2	PC.
250			363-45701-08	TERMINAL BOLT (RED)	1	PC.
251			363-45700-08	TERMINAL BOLT (BLACK)	1	PC.

Item No	Type	Ref	Part No	Description	Qty	Unit
252			34K-41817-13	PANEL HARNESS	1	PC.
	4		34K-42001-11	* CONCENT HARNESS CP	1	PC.
	4		34K-42002-11	* DC OUT HARNESS	1	PC.
255			33K-42060-21	CHOKE WIRE COMPLETE	1	PC.
256			056-30000-20	WIRE BAND	2	PC.
257			33K-58411-03	SEAL, SPONGE F 4.5X650X2.5	1	PC.
258			34K-92106-13	LABEL(FRONT)	1	PC.
	2		34K-40304-03	* FILM INV	1	PC.
262			33K-50201-03	REAR COVER	1	PC.
	2		33K-50201-10	REAR COVER COMPLETE	1	PC.
		INC.		Item No. 265,266,346,347		
263			013-10600-30	SCREW AND WASHER ASS'Y	4	PC.
264			33K-50205-01	NUT COMPLETE	4	PC.
265			33K-58318-13	REAR COVER SPONGE 1 (N/A individually)	2	PC.
266			33K-58319-13	REAR COVER SPONGE 2 (N/A individually)	1	PC.
267	1		33K-51301-13	CASE BODY L	1	PC.
	2		33K-51302-21	CASE BODY L COMPLETE	1	PC.
		INC.		Item No. 275-283		
268	1		33K-51311-03	SIDE PANEL L	1	PC.
	2		33K-51311-01	SIDE PANEL L COMPLETE	1	PC.
		INC.		Item No. 284, 285		
269	1		33K-51401-13	CASE BODY R	1	PC.
	2		33K-51402-21	CASE BODY R COMPLETE	1	PC.
		INC.		Item No. 286-292		
270	1		33K-51411-03	SIDE PANEL R	1	PC.
	2		33K-51411-01	SIDE PANEL R COMPLETE	1	PC.
		INC.		Item No. 293-295		
271			004-36062-50	SCREW AND WASHER ASS'Y	2	PC.
272			004-36062-00	SCREW M6X20	1	PC.
273			33K-50501-03	BOLT(PANEL)	1	PC.
274			33K-50501-03	BOLT(PANEL)	1	PC.
275			33K-58301-03	SPONGE CASE L (N/A individually)	1	PC.
276			33K-58307-03	SPONGE CASE L 5 (N/A individually)	1	PC.
277	1		33K-58305-03	SPONGE CASE L 3 (H:167mm W:220mm)	1	PC.
	2		33K-58305-13	SPONGE CASE L 3 (H:180mm W:220mm) (N/A individually)	1	PC.
278			33K-58304-03	SPONGE CASE L 2 (N/A individually)	1	PC.
279			33K-58308-03	SPONGE CASE L 6 35X102X20 (N/A individually)	1	PC.
280			33K-58309-03	SPONGE CASE L 7 35X55X20 (N/A individually)	1	PC.
281			33K-58408-03	SPONGE CASE R 6 125X47X10 (N/A individually)	1	PC.
282			33K-58409-03	SPONGE CASE R 7 217X40X10 (N/A individually)	1	PC.
283			33K-58306-03	SPONGE CASE L 4 (N/A individually)	1	PC.
284			33K-58302-03	SPONGE PANEL L (N/A individually)	1	PC.
285			33K-58303-03	SEAL SPONGE L 2.5X5X920 (N/A individually)	1	PC.
286			33K-58401-03	SPONGE CASE R (N/A individually)	1	PC.
287			33K-58406-03	SPONGE CASE R 4 (N/A individually)	1	PC.
288			33K-58409-03	SPONGE CASE R 7 217X40X10 (N/A individually)	1	PC.
289			33K-58408-03	SPONGE CASE R 6 125X47X10 (N/A individually)	1	PC.
290			33K-58407-03	SPONGE CASE R 5 35X194X20 (N/A individually)	1	PC.
291			33K-58404-03	SPONGE CASE R 2 (N/A individually)	1	PC.
292	1		33K-58405-03	SPONGE CASE R 3 (H:102mm W:156mm)	1	PC.
	2		33K-58405-13	SPONGE CASE R 3 (H:112mm W:205mm) (N/A individually)	1	PC.
293			33K-58402-03	SPONGE PANEL R (N/A individually)	1	PC.
294			33K-58403-03	SEAL SPONGE R 2.5X5X860 (N/A individually)	1	PC.
295			33K-58410-03	SEAL SPONGE R 2 (N/A individually)	1	PC.
296			33K-55101-13	TANK CAP COVER	1	PC.
298			015-00400-90	TAPPING SCREW 4X10	1	PC.

Item No	Type	Ref	Part No	Description	Qty	Unit
299			33K-53002-03	SCREW GROMMET	1	PC.
300	1		34K-92105-13	LABEL(MODEL)L - N/L/A	1	PC.
	2		34K-92105-23	LABEL(MODEL)L	1	PC.
301	1		34K-92104-13	LABEL(MODEL)R - N/L/A	1	PC.
	2		34K-92104-23	LABEL(MODEL)R	1	PC.
302	1		34K-91616-03	LABEL, SPEC	1	PC.
	2		34K-91616-13	LABEL, SPEC	1	PC.
304			073-20045-20	OIL CAUTION LABEL	1	PC.
305			33K-94004-13	LABEL(CAUTION)	1	PC.
306			073-20045-00	LABEL(HOT&GAS)	1	PC.
307			34K-92110-13	LABEL, E-CON	1	PC.
308	3		33K-61101-32	FUEL TANK UNIT	1	PC.
309			33K-65010-00	FUEL TANK CAP COMPLETE	1	PC.
310			33K-61201-J1	FUEL FILTER COMPLETE	1	PC.
311			33K-63001-10	FUEL COCK ASS'Y	1	PC.
312	1		33K-61401-01	FUEL STRAINER	1	PC.
	2		33K-61402-01	FUEL STRAINER	1	PC.
313			004-36051-20	SCREW ASS'Y M5X12	1	PC.

Item No	Type	Ref	Part No	Description	Qty	Unit
314	1		002-18050-00	NUT M5	1	PC.
	2		264035-7	HEX. NUT M5	1	PC.
315			33K-62250-03	RUBBER PIPE	1	PC.
316			056-11300-10	HOSE CLAMP 13D	2	PC.
317			33K-64101-03	TANK MOUNT	2	PC.
318			33K-64001-13	NECK RUBBER	1	PC.
320			33K-63002-03	FUEL COCK BRACKET	1	PC.
321			011-00600-30	FLANGE BOLT M6X1.0X14DX14L	1	PC.
322			002-17060-00	NUT M6	1	PC.
324			33K-62201-00	FUEL PUMP COMPLETE	1	PC.
325	2		085-19600-00	RUBBER PIPE	1	PC.
326	2		085-19600-00	RUBBER PIPE	2	PC.
327			056-11100-20	HOSE CLAMP 11D	6	PC.
328			015-00600-20	TAPPING SCREW	2	PC.
329			010-00804-20	BOLT	1	PC.
330			020-00802-10	WASHER	1	PC.
331			284-32904-01	STAY BAFFLE COMPLETE	1	PC.
		INC.		Item No.332		
332			277-46701-03	GASKET(CHOKE)	1	PC.
334			284-53603-03	CYLINDER BAFFLE (E/G)	1	PC.
335			284-53609-03	SEAL, SPONGE BAFFLE 2	1	PC.
336			284-53610-03	SEAL, SPONGE BAFFLE 3	2	PC.
337			33K-58323-03	SPONGE BAFFLE 4	1	PC.
338			284-53608-03	SEAL, SPONGE BAFFLE	1	PC.
340	2		085-09300-00	* VINYL PIPE (Component of No. 141 Type 3 284-67001-11)	1	PC.
341	2		085-09300-00	* VINYL PIPE (Component of No. 141 Type 3 284-67001-11)	1	PC.
342			284-67101-03	* Y CONNECTOR (Component of No. 141 Type 3 284-67001-11)	1	PC.
343			056-90000-20	PURSE LOCK ASS'Y	1	PC.
346			33K-58322-03	REAR COVER SPONGE 3 (N/A individually)	1	PC.
347			33K-58324-03	REAR COVER SPONGE 4 (N/A individually)	1	PC.
348			013-10400-91	SCREW WASHER AY	1	PC.
349			018-00400-00	FLANGE NUT	1	PC.
352			33K-58414-03	SPONGE R-FRAME 2	2	PC.
353			33K-41835-01	NEUTRAL HARNESS 2 CP	1	PC.
354			34K-42004-01	EARTH WIRE CP	1	PC.
355			33K-38005-03	GROMMET(REAR FRAME)	1	PC.
356			011-00600-10	FLANGE BOLT M6X1.0X14DX8L	1	PC.
357			33K-41834-01	NEUTRAL HARNESS 1 CP	1	PC.
358			34K-95102-03	LABEL(FRONT) 2	1	PC.
359	4		32B-43403-01	* CIRCUIT BREAKER(12A)	1	PC.
360			33K-42106-03	* SCREW AND WASHER ASSY (Old, Type 1 ~ 3) - N/L/A	2	PC.
361			33K-42103-03	BOLT	1	PC.
362			33K-42102-03	NUT	1	PC.
363			33K-42104-03	SCREW	1	PC.
364			353-49903-08	WASHER	2	PC.
365			353-49902-08	NUT	2	PC.
366			353-49901-08	WING NUT	1	PC.
367			33K-42101-03	PLATE	1	PC.
368	4		33K-42100-13	* EARTH PLATE	1	PC.
369			33K-94007-03	LABEL(WARNING)	1	PC.
370			377-92500-03	CAUTION LABEL (ENGLISH)	1	PC.
371			377-92502-03	CAUTION LABEL (FRENCH)	1	PC.
372			31G-81027-03	LABEL(NOISE)	1	PC.
373			33K-64002-03	TANK SEAT 1	1	PC.
374			33K-64003-03	TANK SEAT 2	1	PC.
375			277-15011-03	PIPE KNOCK	2	PC.
376	4		33K-40407-03	* FILM UNDER (Type 4)	1	PC.

Item No	Type	Ref	Part No	Description	Qty	Unit
377	3		064-20117-00	* FUEL STRAINER ASS'Y (Added, Type 3 ~)	1	PC.
378	3		011-00600-20	* FLANGE BOLT (Added, Type 3 ~)	1	PC.
379	3		33K-43010-03	* BRACKET(COCK)COM (Added, Type 3 ~)	1	PC.
393			073-20059-90	LABEL (CAUTION CO GAS) (Added)	1	PC.
<u>ACCESSORIES</u>		- See catalogue or visit www.makita.ca for more optional accessories -				
A01	1		33K-99001-00	ACCESSORY TOOL KIT	1	PC.
	2		33K-99001-H0	ACCESSORY TOOL KIT	1	PC.
A02			284-50233-08	STARTER ROPE	1	PC.
A03			065-01403-80	SPARK PLUG NGK BMR4A	1	PC.

SERVICE CHANGES

1. Changes on Crankshaft CP, Flywheel Complete, Dowel Pin, Bolt, Washer Assy and Washer

Item No.	Description	Type 1	Type 2	Type 3
35	Crankshaft CP	284-20501-11 (N/L/A)	284-20601-01	20F-20601-01
36	Dowel Pin/Woodruff Key	031-00400-10 (N/L/A)		005-32031-01
38	Washer	020-00801-40 (N/L/A)		020-01500-40
39	Bolt & Washer Assy	001-14082-50 (N/L/A)		002-18140-00
161	Flywheel Com	284-79350-21 (N/L/A)		284-79350-31

Above parts are completely interchangeable as a set.

2. Changes on Control Panel Assy

Item No.	Description	Type 1	Type 2	Type 3	Type 4
219	Control Panel Assy	34K-48090-30 Material:Lexan Thickness 0.18mm	34K-48090-40 (N/A) Material:Polyester Thickness 0.20mm	34K-46820-00 (N/A)	34K-46820-10 CSA Standard
220	Front Panel		33K-40101-03		33K-40102-03
221	Film Concent	34K-48905-03		34K-48905-13 (N/A)	
230	LED Indicator Com	KD3-11001-01		KD3-11001-11 (N/A)	
238	Wire Plate		33K-42040-03	-----	-----
242	Rolling Wire Com		33K-42050-11	-----	-----
245	Circuit Breaker(DC)10A		33K-41833-03		32B-43402-01
247	Screw & Washer Assy		013-10300-10 (N/L/A)		-----
248	Breaker Cap		33K-41817-03 (N/L/A)		-----
253	Control Harness CP		34K-42001-01 (N/L/A)		34K-42001-11
254	DC Out Harness		34K-42002-01 (N/L/A)		34K-42002-11
260	Film INV	34K-41885-03		34K-40304-03 (N/A)	
359	Circuit Breaker (DC) 12A		34K-41831-03		32B-43403-01
360	Screw & Washer Assy		33K-42106-03		-----
368	Earth Plate		33K-42100-03 (N/L/A)		33K-42100-13
376	Film AVR2/Film Under	-----	33K-40402-03 (N/A)		33K-40407-03
377	Fuel Strainer Assy	-----	-----	064-20117-00	
378	Flange Bolt	-----	-----	011-00600-20	
379	Bracket Com.	-----	-----	33K-43010-03	

Type 1 - 3: Parts are interchangeable.

Type 3 and 4: Parts are completely interchangeable as a set.

Item No. 221, 230 and 260: Parts are interchangeable each other.

3. Changes on Cylinder Head Complete, Exhaust valve, Intake valve.

(T/I# Y06726, Y06459)

Item No.	Description	Type 1	Type 2	Type 3	Type 4	Type 5
20	Cylinder Head Com.	284-13003-01	284-13003-11	20F-13003-11		20F-13003-21
56	Exhaust Valve	274-33501-03		284-33501-H3		20F-33502-03
55	Intake Valve	274-33401-03		284-33401-H3		20F-33401-03

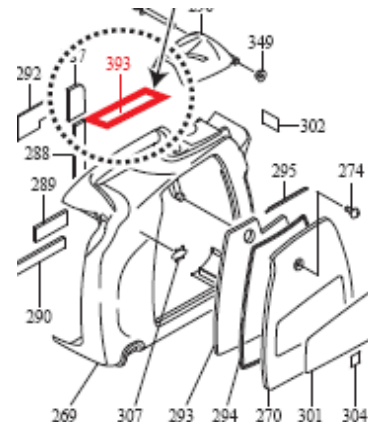
Above parts are completely interchangeable as a set.

(T/I# Y05196)

4. Addition of Label (Caution CO GAS)

Item No.	Description	Type 1	Type 2
393	Label (Caution CO GAS)	----	073-20059-90

(T/I# Y06036)



5. Change on Supplying way for Vinyl pipes and Y connector

Item No.	Description	Type 1	Type 2
141	Vinyl pipe (3.5Dx5.5D) > Overflow pipe CP	085-09300-00	284-67001-11
340	Vinyl pipe (3.5Dx5.5D)	085-09300-00	-----
341	Vinyl pipe (3.5Dx5.5D)	085-09300-00	-----
342	Y Connector	284-67101-03	Included in Item No. 141

(T/I# Y06709)

