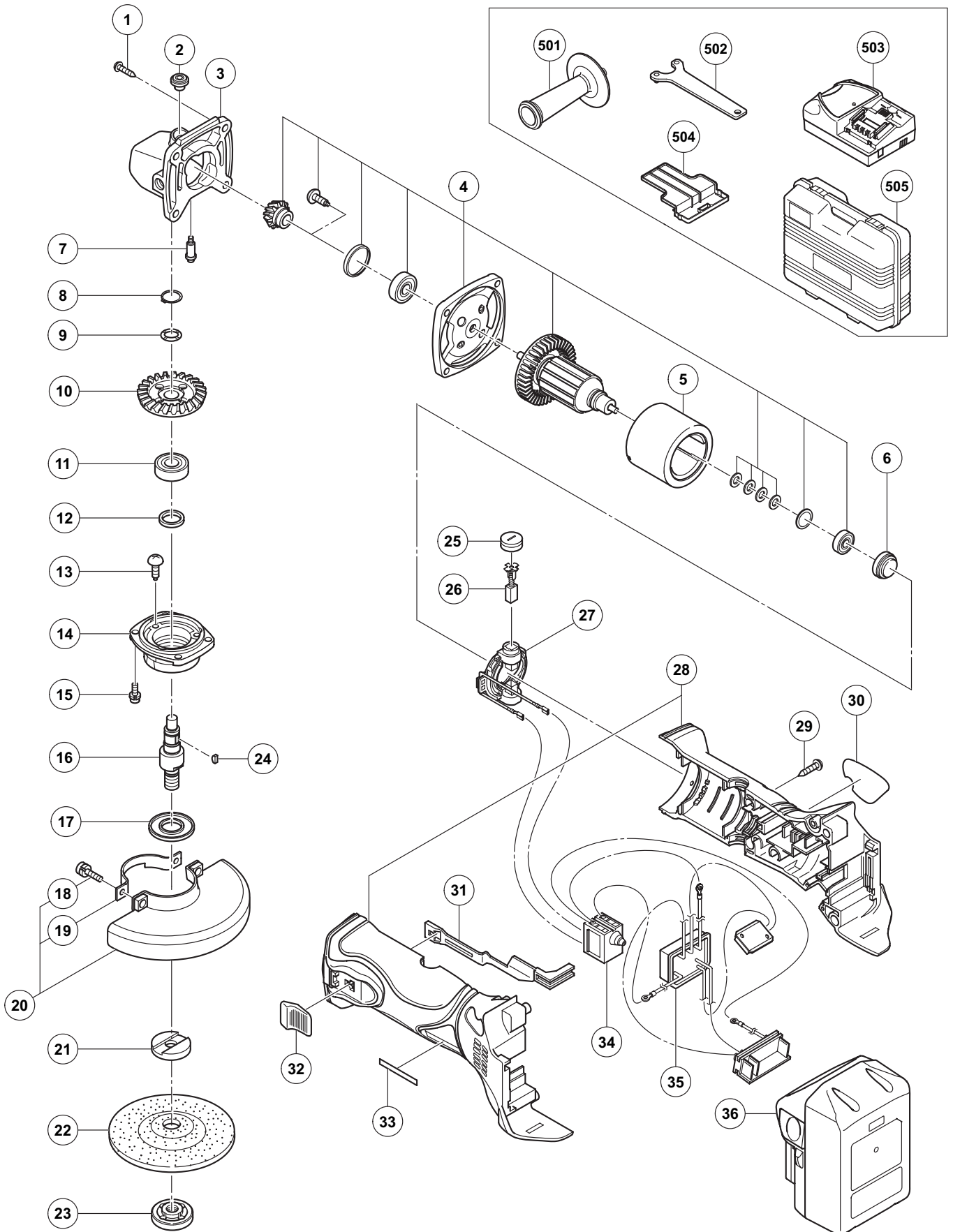


ELECTRIC TOOL PARTS LIST

CORDLESS DISC GRINDER Model G 18DSL

2008·7·9
(E1)



STANDARD ACCESSORIES

G 18DSL

ITEM NO.	CODE NO.	DESCRIPTION	NO. USED	REMARKS
501	318-312	SIDE HANDLE	1	
502	938-332Z	WRENCH	1	
503		CHARGER (MODEL UC 18YRSL)	1	
* 504	329-897	BATTERY COVER	1	FOR EUROPE, AUS, NZL
505	328-206	CASE	1	

OPTIONAL ACCESSORIES

ITEM NO.	CODE NO.	DESCRIPTION	NO. USED	REMARKS
* 601	937-826Z	WASHER NUT	1	
* 601	938-318	WASHER NUT	1	FOR USA, CAN
* 602	937-825Z	RUBBER PAD	1	
* 602	938-317	RUBBER PAD	1	FOR USA, CAN
* 603	310-338	SUPER WASHER	1	EXCEPT FOR USA, CAN
* 604	314-095	SANDING DISCS 115MM C-P16 (10 PCS.)	1	
* 604	314-062	SANDING DISCS 125MM C-P16 (10 PCS.)	1	
* 605	314-096	SANDING DISCS 115MM C-P20 (10 PCS.)	1	
* 605	314-063	SANDING DISCS 125MM C-P20 (10 PCS.)	1	
* 606	314-097	SANDING DISCS 115MM C-P24 (10 PCS.)	1	
* 606	314-064	SANDING DISCS 125MM C-P24 (10 PCS.)	1	
* 607	314-098	SANDING DISCS 115MM C-P30 (10 PCS.)	1	
* 607	314-065	SANDING DISCS 125MM C-P30 (10 PCS.)	1	
* 608	314-099	SANDING DISCS 115MM C-P36 (10 PCS.)	1	
* 608	314-066	SANDING DISCS 125MM C-P36 (10 PCS.)	1	
* 609	314-100	SANDING DISCS 115MM C-P40 (10 PCS.)	1	
* 609	314-067	SANDING DISCS 125MM C-P40 (10 PCS.)	1	
* 610	314-101	SANDING DISCS 115MM C-P50 (10 PCS.)	1	
* 610	314-068	SANDING DISCS 125MM C-P50 (10 PCS.)	1	
* 611	314-102	SANDING DISCS 115MM C-P60 (10 PCS.)	1	
* 611	314-069	SANDING DISCS 125MM C-P60 (10 PCS.)	1	
* 612	314-103	SANDING DISCS 115MM C-P80 (10 PCS.)	1	
* 612	314-070	SANDING DISCS 125MM C-P80 (10 PCS.)	1	
* 613	314-104	SANDING DISCS 115MM C-P100 (10 PCS.)	1	
* 613	314-071	SANDING DISCS 125MM C-P100 (10 PCS.)	1	
* 614	314-105	SANDING DISCS 115MM C-P120 (10 PCS.)	1	
* 614	314-072	SANDING DISCS 125MM C-P120 (10 PCS.)	1	

