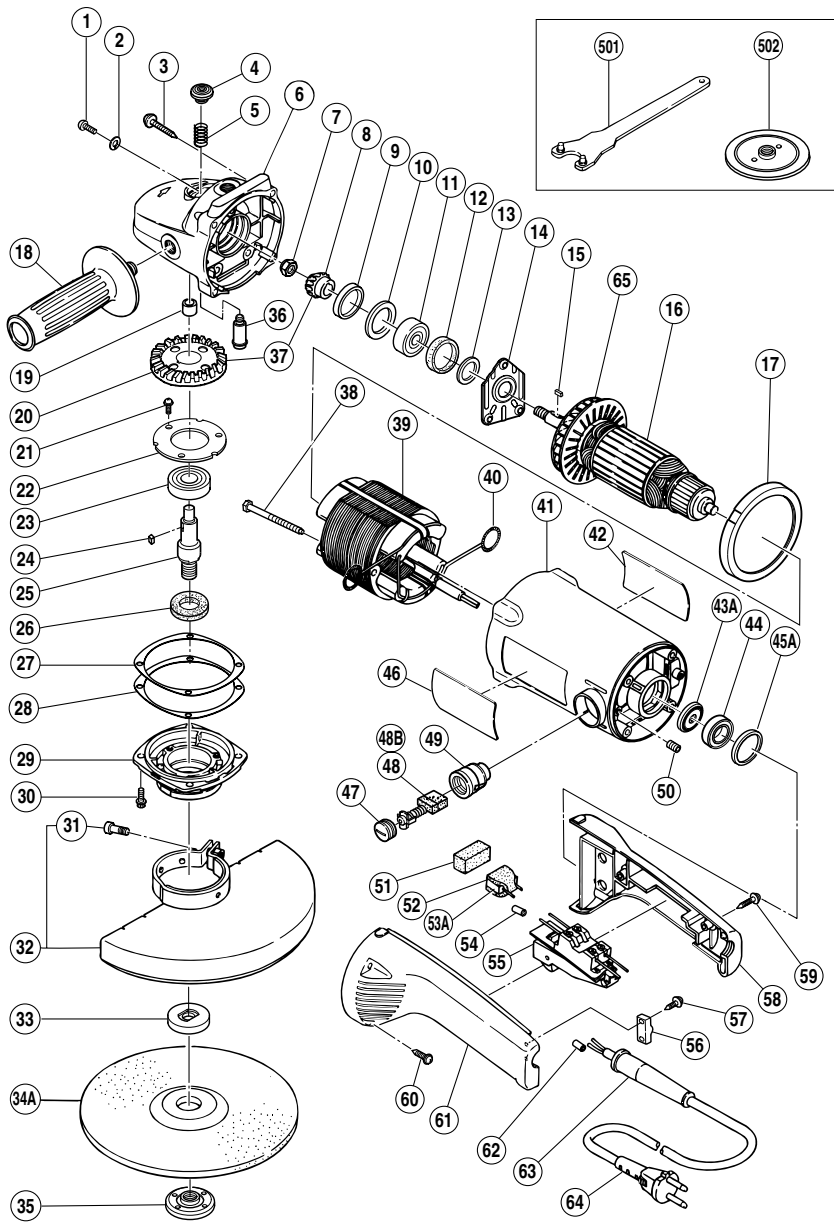


G18SH



A	B	C	D	A	B	C	D
1	949-238	3	M5×14	39 2	340-262F	1	240V "40"
2	949-454	3	M5	39 3	340-262G	1	220V-230V "40" "NZL, SAF, ITA, FRG, FRA, HOL, ESP"
3	301-654	4	D5×35	39 4	340-262H	1	240V "40" "GBR 230V"
4	306-888	1		39 5	340-263G	1	110V "40" "GBR 110V"
5	306-889	1		40	958-032	2	
6	306-105	1	"4, 5, 19, 36"	41	306-812	1	"49, 50"
7	946-228	1	M8	42		1	
8	306-123	1		43A	310-998	1	
9	306-107	1		44	620-0VV	1	6200VVCMP2S
10	306-113	1		45A	313-485	1	
11	630-1DD	1	6301DDUCMPS2S	46		1	
12	994-208	1		47	940-540	2	
13	990-864	1		48	999-044	2	
14	306-106	1		48B	999-074	2	"ESP"
15	940-533	1	3×3×10	49	980-487	2	
16	360-288E	1	220V-240V	50	938-477	2	M5×8
17	306-103	1		51	306-117	1	
18	937-981	1		52	306-114	1	
19	673-002	1	HK1212	53A	930-039	1	
20	306-122	1		54	961-820	2	
21	992-038	3	M5×10	55 1	306-116	1	
22	937-035	1		55 2	306-115	1	"AUS, GBR, ITA, FRA,"
23	630-2DD	1	6302DDUCMPS2S	56	960-266	1	
24	980-809	1	4×4×8	57	984-750	2	D4×16
25	990-857	1		58	306-119	1	
26	990-852	1		59	304-035	2	D4×25
27	306-112	1		60	305-558	4	D5×25
28	306-981	1		61	306-118	1	
29	306-111	1		62	981-373	2	
30	994-192	4	M5×16	63 1	958-049	1	D8.2
31	306-887	1	M8×22	63 2	940-778	1	D10.7
32	306-124	1	"31"	64 1	500-214Z	1	
33 1	937-907Z	1		64 2	500-247Z	1	"ITA, FRG, FRA, HOL, ESP"
33 2	937-908Z	1	"AUS, NZL"	64 3	500-246Z	1	"GBR"
34A	316-824	1	180MM A24R	64 4	500-411Z	1	"AUS, NZL"
35	937-909Z	1	M14×2	64 5	938-333Z	1	"SAF"
36	306-890	1		65	319-657	1	
37	306-121	1	"8, 20"	501	937-913Z	1	
38	961-501	2	D5×60	502	937-917Z	1	"AUS, NZL"
39 1	340-262E	1	220V-230V "40"				