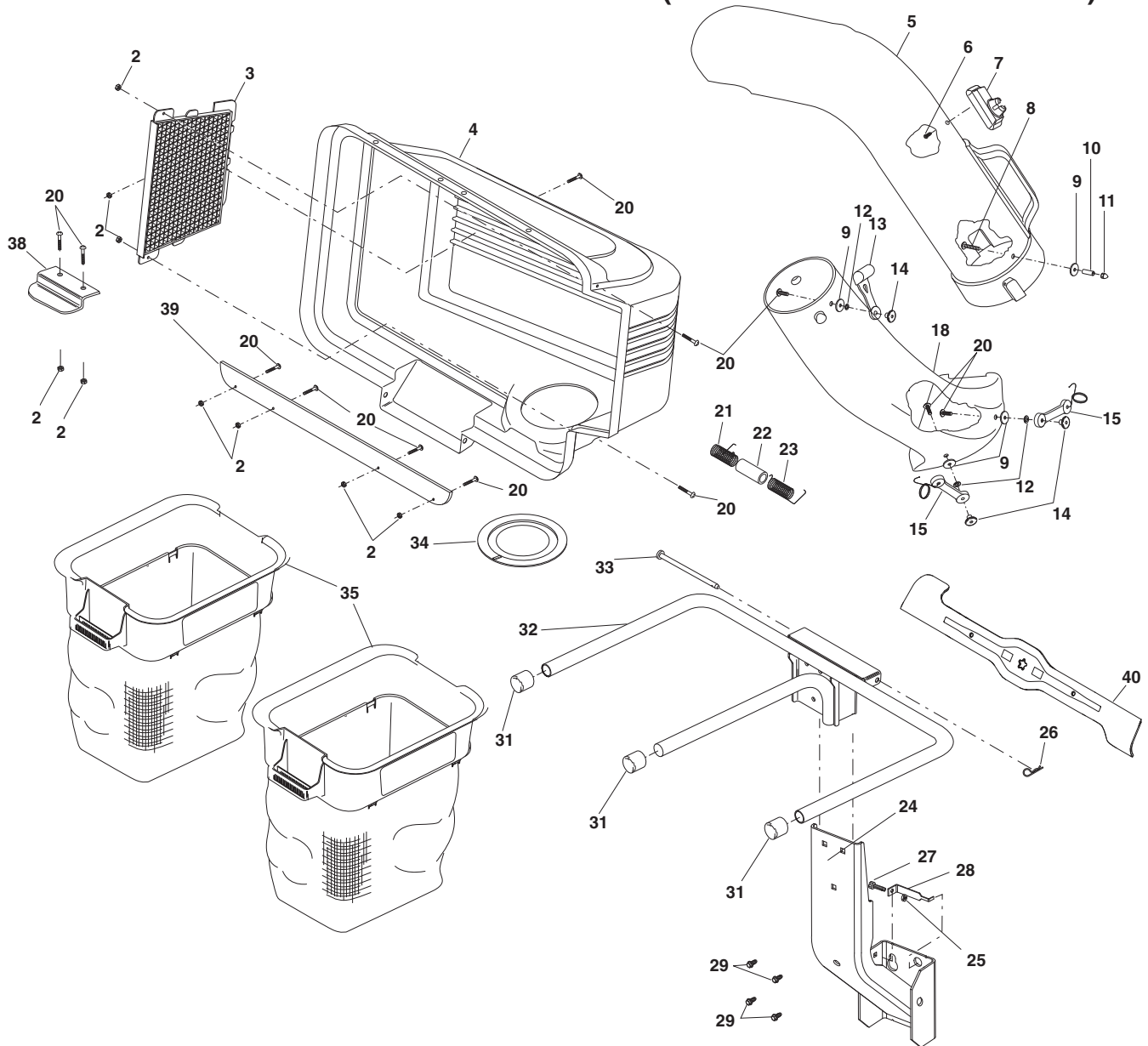


**OWNER'S MANUAL**  
**Model Number G30SD**  
**Product No. 960 73 00-28**  
**30 Inch Mower**  
**Grass Catcher**

- **Assembly**
- **Operation**
- **Customer Responsibilities**
- **Repair Parts**

# REPAIR PARTS

## GRASS CATCHER - MODEL NUMBER G30SD (PRODUCT NO. 960 73 00-28)



KEY NO.	PART NO.	DESCRIPTION
2	532 06 91-80	Nut, Crownlock #10-24
3	532 12 75-33	Screen, Cover
4	532 17 10-61	Cover Assembly (Includes 3, 38, 39)
5	532 41 13-97	Chute, Upper
6	818 02 10-08	Screw, Special #10-14x1/2
7	532 13 09-33	Full Bag Indicator
8	532 08 71-75	Screw, #10-24 x 1-1/8
9	532 05 27-84	Washer 3/16x3/4x16 Ga.
10	532 17 13-45	Spacer, Split
11	532 06 08-67	Nut, Acorn #10-24
12	810 07 10-00	Washer, lock
13	532 10 98-08	Latch, Chute
14	532 12 50-04	Nut, Weld
15	532 16 07-93	Latch, Hook
18	532 42 97-98	Chute, Lower
20	871 08 10-10	Screw #10-24 x 5/8
21	532 13 27-96	Spring, Cover L.H. (black)
22	532 13 32-35	Spacer, Cover

KEY NO.	PART NO.	DESCRIPTION
23	532 13 29-83	Spring, Cover R.H. (gray)
24	532 18 09-23	Support Assemble
25	873 80 04-00	Locknut
26	532 12 46-70	Spring, Retainer
27	872 14 04-05	Bolt
28	532 17 97-45	Bracket, Lock
29	532 17 01-65	Bolt, Shoulder 5/16-18
31	532 17 40-83	Plug, Tubing End
32	532 17 97-46	Bagger, Frame
33	532 19 27-86	Pin, Hinge
34	532 12 75-34	Gasket, Cover
35	532 40 02-26	Container
38	532 13 08-95	Latch Handle, Cover
39	532 15 50-42	Strip, Reinforcement
40	532 43 37-88	Blade, 30" Bagger
--	532 43 50-50	Owner's Manual, English/French
--	532 43 50-51	Owner's Manual, Spanish