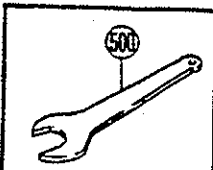
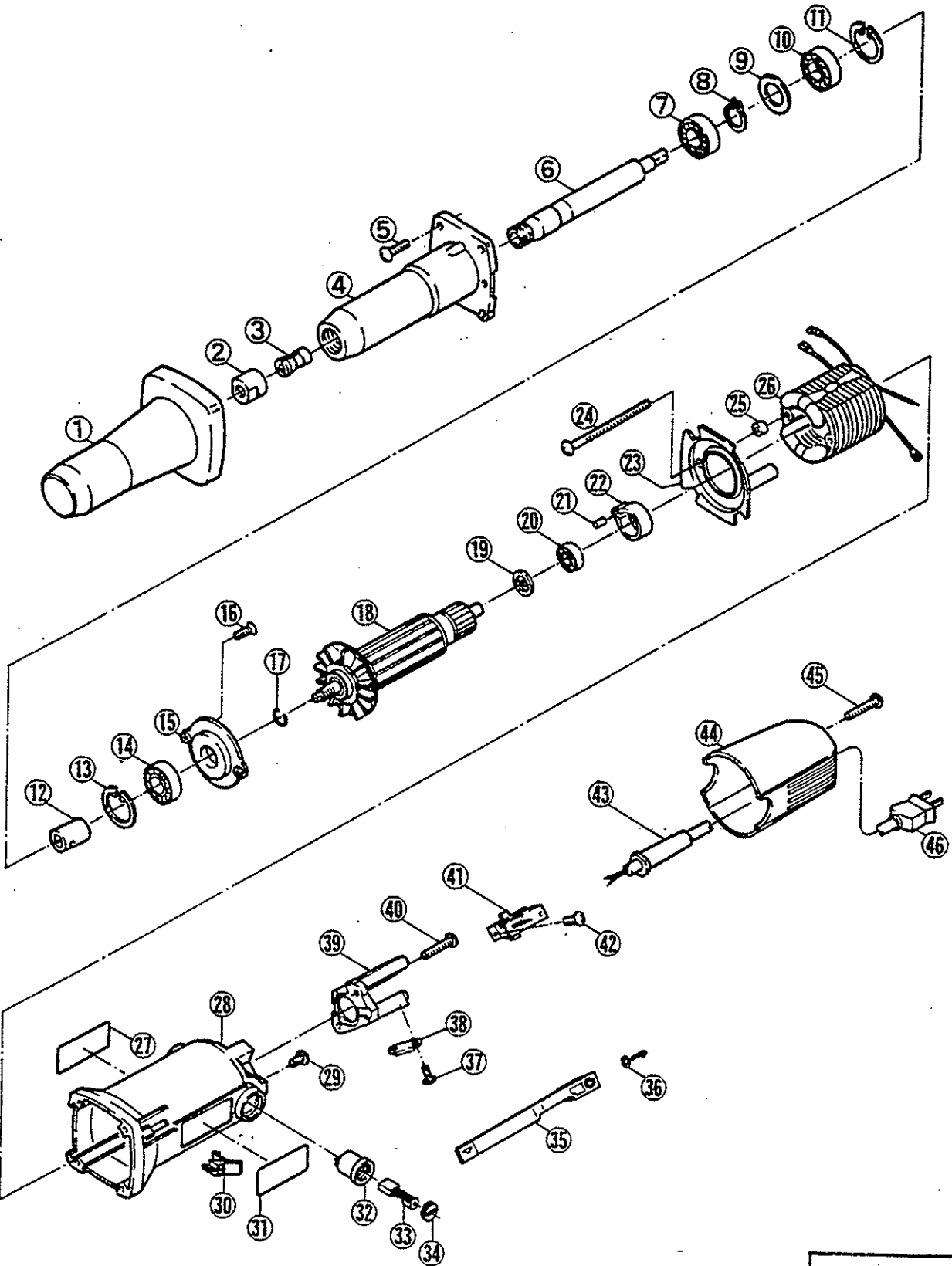


DIE GRINDER

G-600C



PARTS LIST FOR AFTER SALES SERVICE MODEL G600C

P	PART NO.	DESCRIPTION	QTY	REF	PART NO.	DESCRIPTION	QTY
1	6831744	GRIP	1	27	6912699	NAME PLATE	1
2	6131025	COLLET NUT	1	28	6802358	MOTOR HOUSING	1
3	6940510	COLLET SLEEVE	1	29	9060410	TAPPING SCREW (B) M4X10	2
4	6820901	SPINDLE CASE	1	30	6360133	SWITCH BUTTON	1
5	9060518	TAPPING SCREW (B) M5X18	4	31	6921051	"RYOBI" MARK	1
6	6100733	SPINDLE	1	32	6570048	BRUSH HOLDER	2
7	9846001	BALL BEARING #6001QLLB	1	33	6540533	CARBON BRUSH SET	1
8	9511200	RETAINING RING S-12	1	34	6570070	BRUSH CAP	2
9	6900104	WASHER	1	35	6360132	SWITCH LEVER	1
10	9846200	BALL BEARING #6200LLB	1	36	6290026	SWITCH LEVER HOOK	1
11	9523000	RETAINING RING R-30	1	37	9060412	TAPPING SCREW (B) M4X12	2
12	6200492	CAP RING	1	38	6560057	CORD CLAMP	1
13	9523000	RETAINING RING R-30	1	39	6590166	CONNECTOR BLOCK	1
14	9846200	BALL BEARING #6200LLB	1	40	9060420	TAPPING SCREW (B) M4X20	2
15	6153982	BEARING CLAMP	1	41	6550216	TOGGLE SWITCH	1
16	9140408	PHILLIPS FLAT SCREW M4X8	2	42	9060412	TAPPING SCREW (B) M4X12	1
17	9531000	RETAINING RING WR-10	1	43	6560044	CORD HOLDER	1
18	6032376	ARMATURE	1	44	6802355	MOTOR COVER	1
19	6930023	DUST SEAL	1	45	9060420	TAPPING SCREW (B) M4X20	2
20	9840626	BALL BEARING #626LLB	1	46	6520331	CORD ASS'Y AWG#18X2X2	1
21	6120082	RUBBER KNOCK	1	--	6560018	TERMINAL	1
22	6290028	BEARING HOUSE	1	--	6560002	CONNECTOR	1
23	6490174	FAN CASING	1	--	6560043	TERMINAL	1
24	1060480	TAPPING SCREW (B) M4X80	2	STANDARD ACCESSORIES			
25	6900294	COLLAR	2	500	6240303	SINGLE-END WRENCH 14MM	1
26	6501671	FIELD COIL	1	--	6240533	SINGLE-END WRENCH 17MM	1

SERVICE NOTES: