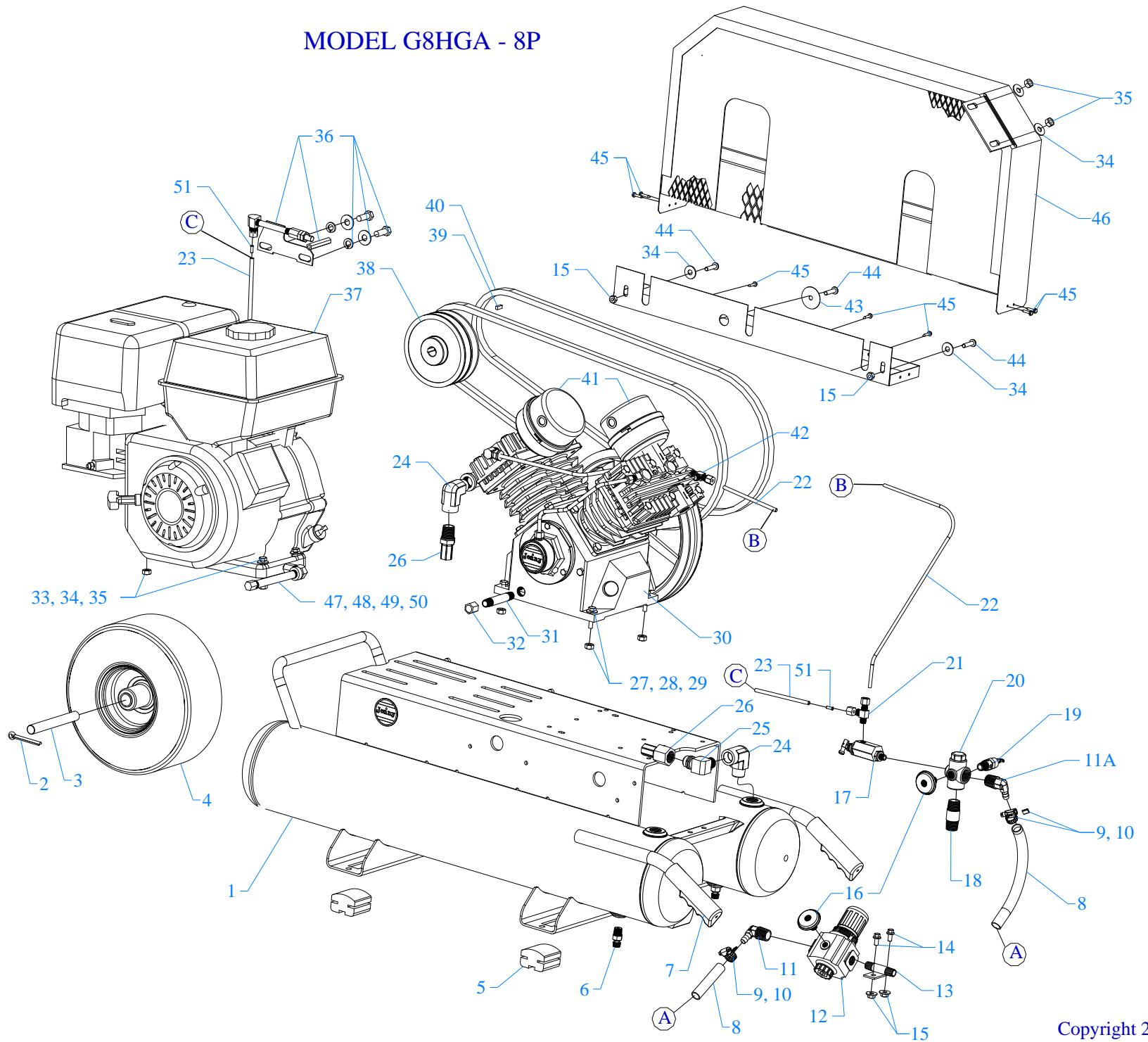


MODEL G8HGA - 8P



Parts List for Model G8HGA-8P

NOTE: The quantity number indicates the total number of pieces required for a complete unit repair.
When ordering parts give compressor model, serial number and part number. Order assemblies when possible.

<u>REF. NO.</u>	<u>PART NO.</u>	<u>DESCRIPTION</u>	<u>QTY.</u>
1	411-1014	TANK,PORTBL,8G,NON,K&G>G,RPLMT,Gas	1
2	120-1286	PIN,COTTER,PLATED,3/16 DIAx2 LONG	2
3	150-1218	AXLE,STEEL,PLATED,8P,5/8"DIAx5"LONG	1
4	150-1219	WHEEL,PNEUM,410/350X4,4"CNTRD,5/8"ID	1
5	104-1249	PAD,RUBBER,40D,11GA,1-1/4x1-7/8x2-1/2,WP	4
6	141-1058	DRAIN,PETCOCK,BRASS,1/4"NPTM,DC14	2
7	104-1072	GRIP,HANDLE,RUBBER,YELLOW,7/8",STERILE	2
8	104-1001	HOSE,AIR,200 PSI,3/8"IDX18"LONG	1
9	120-1173	CLAMP,HOSE,GEAR,WORM,SS,5/16" TO 7/8"	2
10	104-1075	CAP,COVER,PLASTIC,RED,0.40 X 1/4"X 3/8"	2
11	121-1145	BARB,HOSE,ELBOW,MALE,BRASS,3/8HSX3/8NPTM	1
11A	121-1143	BARB,HOSE,ELBOW,MALE,BRASS,3/8HSX1/2NPTM	1
12	160-1001	REGULATOR,PRESSURE,AIR,3/8"NPT	1
12A	360-1109	REGULATOR,PRESSURE,AIR,W/PG14,3/8"N,R38 INCLUDES 12,16,3/8 PLUG	1
13	150-1083	BRACKET,REGULATOR,STEEL,PLATED,3/8",BR	1
13A	320-1029	BRACKET,REGULATOR,W/HARDWARE,ASSY,BR INCLUDES 13,14,15	1
14	120-1243	SCREW,FLANGE,HEX,SERR,ST,PL,1/4-20X 1/2	2
15	120-1116	NUT,LOCK,FLANGE,HEX,SERR,ST,PLTD,1/4-20	4
16	142-1003	GAUGE,PSI,200#,BK MT,JENNY,1.5,1/4",PG14	2
17	141-1047	VALVE,PILOT,W/HAND UNLOADER,125PSI,1/4"M	1
18	122-1145	NIPPLE,STEEL,SCH 80,PLTD,1/2" X 1-1/2" L	1
19	141-1004	VALVE,SAFETY,ASME,1/4",165 PSI,54 SCFM	1

Parts List for Model G8HGA-8P

NOTE: The quantity number indicates the total number of pieces required for a complete unit repair.
When ordering parts give compressor model, serial number and part number. Order assemblies when possible.

<u>REF. NO.</u>	<u>PART NO.</u>	<u>DESCRIPTION</u>	<u>QTY.</u>
20	220-1121	BLOCK,MANIFOLD,ZINC,5 HOLE,TAPPED,MC-5	1
21	121-1038	TEE,RUN,BRASS,1/4"TBX1/4TBX1/8"NPTM	1
22	610-1086	TUBE,CONTROL,COPPER,W/SLEEVE,1/4"X22"LG	1
23	610-1223	TUBE,UNLOADER,NYLON,W/SLV&INSERT,1/4X32	1
24	122-1052	ELBOW,STREET,STEEL,PLTD,90 DEG,1/2"NPT	2
25	121-1015	ELBOW,MALE,BRASS,5/8-45SAEX1/2"NPTM	1
26	360-1396	AFTERCOOLER,HOSE,SS,TEFLON,5/8"ODX25.75"	1
27	120-1116	NUT,LOCK,FLANGE,HEX,SERR,ST,PLTD,1/4-20	4
28	120-1009	SCREW,CAP,HEXHD,GR5,ST,PLTD,1/4-20X1-1/4	4
29	120-1071	WASHER,FLAT,STEEL,PLATED,USS,1/4"	4
30	421-1824	PUMP,CMPSR,PISTON,REPLCMT,BLUE,GU	1
31	122-1037	NIPPLE,STEEL,SCH 40,3/8" X 2" L	1
32	122-1084	CAP,FEMALE,MI,3/8"NPT	1
33	120-1018	SCREW,FLANGE,HEX,SERR,ST,PLD,5/16-18X3/4	4
34	120-1075	WASHER,FLAT,STEEL,PLATED,5/16"	12
35	120-1119	NUT,LOCK,FLANGE,HEX,SERR,ST,PLTD,5/16-18	6
36	320-1020	CONTROL,IDLE,HONDA,8HP,ASSY,TIC-8HG	1
37	131-1116	ENGINE,GAS,HONDA,8 HP,R/S,GX240K1QA2	1
38	154-1220	PULLEY,CI,DG,2.6PDA,1ID,2AK28X1	1
39	120-1109	KEY,STEEL,BLACK,5/16X5/16X 1-1/2" LENGTH	1
40	154-4I510	BELT,VEE,A56,4L-510	2
41	320-1121	FILTER,AIR,2PC,W/SILENCER&FILTER,G154	2
42	121-1039	TEE,BRANCH,BRASS,1/4"TBX1/4"TBX1/8"NPTM	1

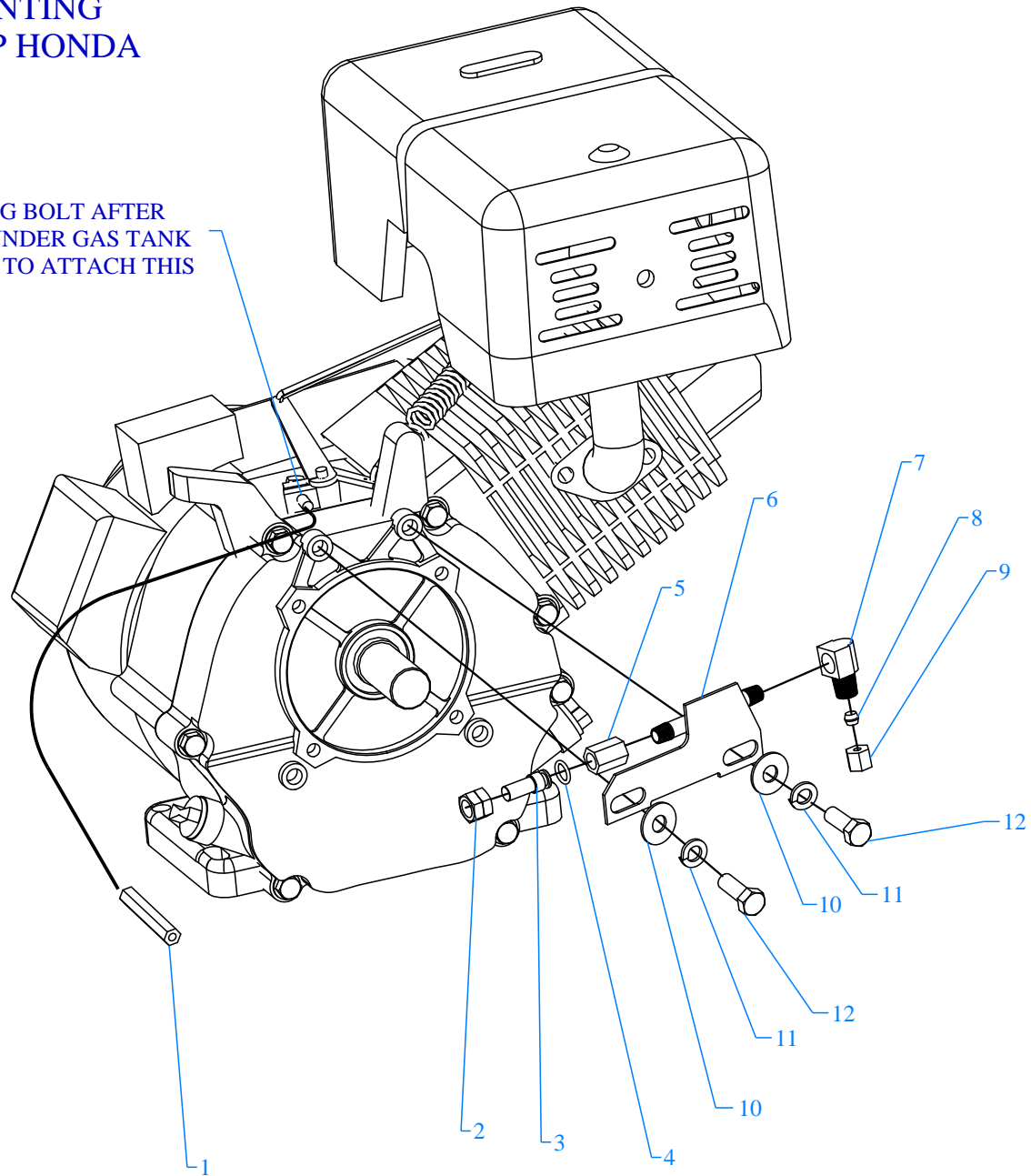
Parts List for Model G8HGA-8P

NOTE: The quantity number indicates the total number of pieces required for a complete unit repair.
When ordering parts give compressor model, serial number and part number. Order assemblies when possible.

<u>REF. NO.</u>	<u>PART NO.</u>	<u>DESCRIPTION</u>	<u>QTY.</u>
43	120-1072	WASHER,FENDER,ST,PLATED,1/4"X1-1/2"OD	1
44	120-1267	SCREW,PAN HD,PHIL,STEEL,PLTD,1/4-20 X 1"	3
45	120-1177	SCREW,SELF DRILL,HEX,ST,PL,12 X 3/4	7
46	320-1179	BELTGUARD,G&GC,W/PAN,3.38WX14.63HX28LG	1
47	150-1183	ADAPTER,DRAIN,OIL,BRASS,8&11HP,HONDA	1
48	121-1049	ELBOW,STREET,BRASS,1/4"NPT	1
49	122-1034	NIPPLE,STEEL,SCH 40,1/4" X 5" L	1
50	122-1126	CAP,HEX,STEEL,PLATED,1/4"NPT	1
51	121-1048	INSERT,TUBING,BRASS,1/4"OD NYLON	2
NOT SHOWN	634-17210-ZE2-821	FILTER,AIR,HONDA,8HP,17210-ZE2-821	1
NOT SHOWN	610-1225	KIT,ELEMENT,FILTER,G54E,PKG OF 4,G54EP	1
NOT SHOWN	105-1209	OIL,PUMP,SYNTHETIC,BLUE,1 QUART,ESQ	1

IDLE CONTROL MOUNTING INSTRUCTIONS FOR 8HP HONDA

ASSEMBLE ITEM (1) ONTO EXISTING BOLT AFTER
REMOVING NUT ON IDLE CONTROL UNDER GAS TANK
NOTE TANK DOESN'T NEED REMOVED TO ATTACH THIS
PART.



Parts List for 8HP Honda Throttle Idle Control

NOTE: The quantity number indicates the total number of pieces required for a complete unit repair.

When ordering parts give compressor model, serial number and part number. Order assemblies when possible.

<u>REF. NO.</u>	<u>PART NO.</u>	<u>DESCRIPTION</u>	<u>QTY.</u>
1	220-1061	LEVER,CONTROL,IDLE,HONDA,8HP,LIC-8HG	1
2	121-1083	NUT,COMPRESSION,TUBING,BRASS,3/8"	1
3	150-1064	PISTON,CONTROL,IDLE,THROTTLE,HONDA	1
4	104-1021	RING,O,BUNA-N,5/16"IDX7/16"ODX1/16"THK	1
5	150-1063	CYLINDER,CONTROL,IDLE,THROTTLE,BRASS,TIC	1
6	150-1085	BRACKET,CONTROL,IDLE,8HP,HONDA,MIC-8HG	1
7	121-1037	ELBOW,FEMALE,COMPRESSION,BR,1/4TBX1/8"N	1
8	121-1080	SLEEVE,COMPRESSION,BRASS,1/4"	1
9	121-1082	NUT,COMPRESSION,TUBING,BRASS,1/4"	1
10	120-1078	WASHER,FLAT,STEEL,PLATED,USS,3/8"	2
11	120-1077	WASHER,LOCK,SPLIT,STEEL,PLATED,3/8"	2
12	120-1032	SCREW,CAP,HEXHD,GR5,ST,PLTD,3/8-16X1	2

Parts List for Model G, MG, GU, MGU, GC, & GCU Assembly

NOTE: The quantity number indicates the total number of pieces required for a complete unit repair.

When ordering parts give compressor model, serial number and part number. Order assemblies when possible.

<u>REF. NO.</u>	<u>PART NO.</u>	<u>DESCRIPTION</u>	<u>QTY.</u>
1	120-1163	PIN,ROLLED,COILED,STL,BLK,1/4ODX1L,K25	1
2	220-1095	FLYWHEEL,G PUMP,CI,10-3/8,2 GROOVE,L23A	1
2A	220-1090	FLYWHEEL,GT PUMP,CI,13-1/4,2 GROOVE,G23	1
3	150-1036	SEAL,OIL,LIP,SINGLE,0.875 DIA,K11E	1
4	104-1016	RING,O,BUNA-N,5/8"IDX13/16"ODX3/32"THK	1
5	220-1034	CRANKCASE,Y PUMP,CI,MACHINED,Y1A	1
6	610-1029	PLUG,CRANKCASE,FILL,OIL,W/O-RING,K14	1
7	122-1037	NIPPLE,STEEL,SCH 40,3/8" X 2" L	1
8	122-1084	CAP,FEMALE,MI,3/8"NPT	1
9	160-1052	GAUGE,SIGHT,LEVEL,OIL,1/2"NPT	1
10	150-1000	BEARING,BALL,K9	1
11	220-1079	CRANKSHAFT,G PUMP,CI,MACHINED,D20	1
12	150-1008	BEARING,BALL,L9	1
13	104-1000-01	GASKET,CAP,BEARING,F&K&G PUMP,1/32THK,L3	1
13A	104-1000-02	GASKET,CAP,BEARING,F&K&G PUMP,1/64THK,L4	1
14	220-1076	CAP,BEARING,D PUMP,CI,MACHINED,D2	1
15	120-1004	SCREW,CAP,HEXHD,GR5,ST,BLK,1/4-20X3/4	3
16	121-1025	CONNECTOR,MALE,COMPRESSION,BR,1/4TBX1/8"	1
17	610-1137	TUBE,BREATHER,CU,BENT,MGU&GCU>U,L18	1
18	310-1043	ROD,CONNECTING,W/BEARNG INSERT,L21L&L21K	4
19	150-1011	BEARING,ROD,CONNECTING,PUMP,F,K,G	8
20	220-1005	PISTON,PUMP,ALUMINUM,MACHINED,K32	4
21	104-1103	BUMPER,WRIST PIN,PLASTIC,K36A	8

Parts List for Model G, MG, GU, MGU, GC, & GCU Assembly

NOTE: The quantity number indicates the total number of pieces required for a complete unit repair.

When ordering parts give compressor model, serial number and part number. Order assemblies when possible.

<u>REF. NO.</u>	<u>PART NO.</u>	<u>DESCRIPTION</u>	<u>QTY.</u>
22	610-1065	KIT,RING,OIL,W/EXPANDER,ASSY,K34	4
23	150-1003	RING,COMPRESSION,PISTON,STEEL,EBA 22,K33	8
24	120-1068	WASHER,LOCK,SPLIT,ST,BLK,HIGH CLLR,1/4"	8
25	120-1010	SCREW,CAP,HEXHD,GR5,ST,BLK,1/4-20X1-1/4	8
26	150-1005	PIN,PISTON,STEEL,HARDENED,K35	4
27	104-1006	GASKET,CYLINDER,K&G&W PUMP,1/32THK,K31	2
28	120-1017	SCREW,CAP,HEXHD,GR5,ST,BLK,5/16-18X3/4 (15FT-LB)	12
29	360-1150	CYLINDER,K PUMP,CI,PAINTED,BLUE,K30	2
30	104-1007	GASKET,PLATE,VALVE,K&G&W PUMP,1/32TK,L41	2
31	220-1013	PLATE,VALVE,L PUMP,CI,MACHINED,L40	2
32	121-1039	TEE,BRANCH,BRASS,1/4"TBX1/4"TBX1/8"NPTM	1
33	104-1008	GASKET,HEAD,K&G&W PUMP,1/32THK,L51	2
34	610-1121	TUBING,UNLOADER,HEAD-HEAD,MGU PUMP,LU88	1
35	610-1334	TUBE,MANIFOLD,COPPER,G,W/NUT,5/8,MS,MG59	1
36	121-1015	ELBOW,MALE,BRASS,5/8-45SAEX1/2"NPTM	1
36A	121-1021	ELBOW,BRASS,MALE,45DEG,5/8-45SAEX1/2"NPT	1
37	310-1008	HEAD,UNLOADING,K&G,W/1/2"PRT 7 HLE,LU180	2
38	121-1032	ELBOW,MALE,COMPRESSION,BR,1/4TBX1/8"NPTM	2
39	150-1020	SPRING,VALVE,UNLOADER,INTAKE, KU83	4
40	104-1020	RING,O,SILICON,7/16"IDX5/8"ODX3/32"THK	4
41	150-1028	PISTON,UNLOADER,VALVE,BRASS,KU81	4
42	104-1015	RING,O,BUNA-N,1/2"IDX11/16"ODX3/32"THK	4
43	122-1051	PLUG,HEX ,BRASS,11/16-16 UN-2B X .550	4

Parts List for Model G, MG, GU, MGU, GC, & GCU Assembly

NOTE: The quantity number indicates the total number of pieces required for a complete unit repair.

When ordering parts give compressor model, serial number and part number. Order assemblies when possible.

<u>REF. NO.</u>	<u>PART NO.</u>	<u>DESCRIPTION</u>	<u>QTY.</u>
44	120-1167	RETAINER,INTERNAL,ST,0.035X 0.665,KU85	4
45	150-1042	WASHER,BRASS,1/32X 0.605ODX1/4 ID,KU84	4
46	310-1004	HEAD,START/STOP,G PUMP,REPLACEMNT,L50	1
47	120-1252	BOLT,STUD,HEX,ST,5/16-18X2-1/4X5/8,K52-1	2
48	120-1028	SCREW,CAP,HEXHD,GR5,ST,BLK,5/16-18X2-1/4	10
49	150-1104	ELEMENT,FILTER,AIR,COMPRESSOR,JENNY,G54E	2
50	150-1041	RETAINER,VALVE,STEEL,PAS,0.062"THK,K43	8
51	109-1010	VALVE,BUMPER,STEEL,K44	8
52	150-1018	SPRING,CONE,SS,VALVE,DISCHARGE,K46	4
53	109-1011	VALVE,DISC,STAINLESS STEEL,K47	8
54	150-1017	SPRING,CONE,SS,VALVE,INTAKE,K45	4
55	122-1060	TEE,FEMALE,MI,PLTD,1/2"NPT	1
56	122-1042	NIPPLE,CLOSE,STEEL,SCH 80,1/2"NPTM	1
Assemblies			
57	610-1028	PISTON,W/RINGS&PIN,ASSY,K132 INCLUDES 20, 21(2), 22, 23, 26	4
58	610-1020	KIT,PUMP,RING,PISTON,F&K&G&W PUMP,K133 INCLUDES 22(2), 23(4)	2
59	610-1411	ROD,CONNECTING,W/BEARNG INSERT,L21L&L21K INCLUDES 18, 19(2), 24(2), 25	4
60	610-1031	VALVE,SUCTION,ASSY,K145 INCLUDES 50, 51, 53, 54	4
61	610-1032	VALVE,DISCHARGE,ASSY,K146 INCLUDES 50, 51, 52, 53	4
62	610-1042	VALVE,UNLOADER,HEAD,PUMP,ASSY, KU181 INCLUDES 39, 40, 41, 44, 45	4
63	320-1121	FILTER,W/DECALS,ASSY,G154S	2

Parts List for Model G, MG, GU, MGU, GC, & GCU Assembly

NOTE: The quantity number indicates the total number of pieces required for a complete unit repair.

When ordering parts give compressor model, serial number and part number. Order assemblies when possible.

<u>REF. NO.</u>	<u>PART NO.</u>	<u>DESCRIPTION</u>	<u>QTY.</u>
64	610-1045	PLATE,VALVE,W/VALVES,ASSY,L140 INCLUDES 30, 31, 33, 60(2), 61(2)	2
65	610-1044	KIT,GASKET,L PUMP,ASSY,L100 13, 13A, 27(2), 30(2), 33(2)	1
66	610-1298	KIT,BASIC,REPAIR,G PUMP,G101 INCLUDES 49(2), 58(2), 60(4), 61(4), 65	1
NOT SHOWN	610-1297	KIT,BASIC,REPAIR,GU&GCU PUMP,GU101 INCLUDES 49(2), 58(2), 60(4), 61(4), 62(4), 65	1
NOT SHOWN	105-1209	OIL,PUMP,SYNTHETIC,BLUE,1 QUART,ESQ	1
NOT SHOWN	610-1226	KIT,FILTER,ASSY,G154,PKG OF 4,G154P	1
NOT SHOWN	610-1186	KIT,ELEMENT,FILTER,L54E,PKG OF 4,L54EP	1
NOT SHOWN	150-1010	ELEMENT,FILTER,AIR,COMPRESSOR,JENNY,L54E	1