



BOSCH

Battery Vacuum Cleaner

GAS18V-02 | 3 601 JC6 210

Table of Content

Spare parts list.....	2
Illustration - Type.....	4

Battery Vacuum Cleaner | GAS18V-02 | 3 601 JC6 210

Spare parts list

Item	Part Number	Description	Illustration
1	1 619 PB2 076	Motor Housing	1
2	1 619 PB2 077	DC motor	1
9	1 601 11C 2L0	Manufacturer's nameplate	GAS18V-02 1
19	1 619 PB2 078	Tapping Screw	1
22	1 619 PB0 706	Electronic Module	1
22/4	2 607 202 358	On-Off Switch	1
24	1 619 PB2 079	Switch Button	1
25	1 619 PB2 080	Seal	1
26	1 619 PB2 081	Push-Button	1
27	1 619 PB2 082	Tapping Screw	1
28	1 619 PB2 083	Sponge	1
29	1 619 PB2 084	Sponge	1
30	1 619 PB2 085	Rubber Pad	1
31	1 619 PB2 086	Sealing Cover	1
32	1 619 PB2 087	Grid	1
33	1 619 PB2 088	Stop Block	1
34	1 619 PB2 089	Contact strap	1
35	1 619 PB2 090	Sealing Ring	1
36	1 619 PB2 034	Filter	1
41	1 619 PB2 091	Dust Separator	1
42	1 619 PB2 099	Inlet Cover	1
43	1 619 PB2 092	Dust Chamber	1
44	1 619 PB2 093	Button	1
45	1 619 PB2 094	Contact strap	1
46	1 619 PB2 101	Cover	1
47	1 619 PB2 095	front cover	1
48	1 619 PB2 096	Sliding Block	1
49	1 619 PB2 097	Seal	1
51	1 619 PB2 098	Sealing Ring	1
55	1 619 PB2 100	Sealing Ring	1
61	1 600 A01 77N	Warning Label	1
808	1 619 PB2 158	Nameplate	1
853	2 607 226 287	Charger	US GAL 18V-20 120V / 2A 1
651	1 619 PA9 899	floor nozzle	2
652	1 619 PA9 897	Crevice Nozzle	2

Spare parts list

Item	Part Number	Description	Illustration
653	1 619 PA9 898	Suction Tube	2
654	1 619 PB2 102	Holder	2
655	1 619 PB2 039	Hose	2
851	1 600 A00 P3H	Slide-In Accu Package 6,3Ah	GBA18V63 18V 2

Illustration - Type - E

3 601 JC6 200
 Issue | 18-07-02
 Stand |

Fig./Abb. 1

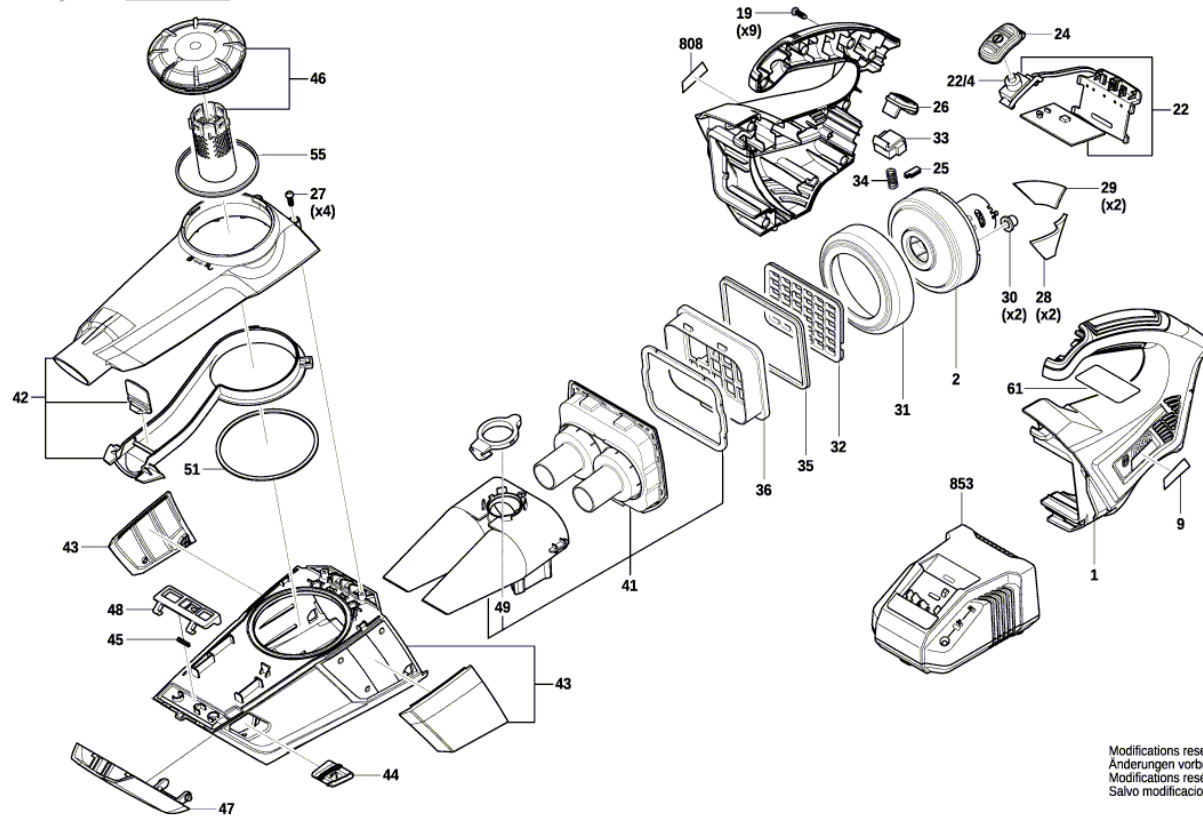


Illustration - Type - E

