



BOSCH

Battery Vacuum Cleaner

GAS18V-3 | 3 601 JC6 310

Table of Content

Spare parts list.....	2
Illustration - Type.....	3

Battery Vacuum Cleaner | GAS18V-3 | 3 601 JC6 310

Spare parts list

Item	Part Number	Description	Illustration
801	1 600 A01 1G2	Electronics Module	1
802	1 600 A02 GT4	Motor assembly	1
802/1	1 600 A02 GP2	Grating	1
809	1 600 A01 1RT	Filter	1
810	1 600 A01 1RU	Hose Coupling Pipe	1
811	1 605 411 01H	Dust container	1
812	1 600 A01 1S7	Battery Cover	1
813	1 600 A01 1RW	Float	1
814	1 600 A01 1RX	Hose Holder	1
815	1 600 A01 1S8	Hose Holder	1
816	1 600 A01 1RY	Seal	1
817	1 600 A01 1RZ	Latch	1
818	1 605 132 17B	Handle	1
819	1 600 A01 268	Switch Cover	1
820	1 600 A01 2YT	Release pin	1
821	1 601 11A 5DF	Nameplate	1
824	1 601 11C 29B	Sticker	1
829	1 601 11C 29A	Sticker	1
830	1 601 11C 29C	Manufacturer's nameplate	GAS18V-3 1
832	1 600 A01 U4W	Battery Cover	1
91/1	2 607 226 287	Charger	US GAL 18V-20 120V / 2A 2
91/2	1 600 A00 P3H	Slide-In Accu Package	GBA18V63 18V 6,3Ah 2
654	1 600 A01 4MR	Socket	2
655	1 600 A01 T4C	Nozzle	2
660	1 600 A01 T4A	Belt	2
803	1 600 A01 1RL	Hose	2
804	1 600 A01 1RM	Clamping Ring	2 PIECE 2
805	1 600 A01 1RN	Elbow	2
806	1 600 A01 1RP	Nozzle	2
807	1 600 A01 1RR	Nozzle	2
808	1 600 A01 1RS	Suction Nozzle	2

Illustration - Type - E

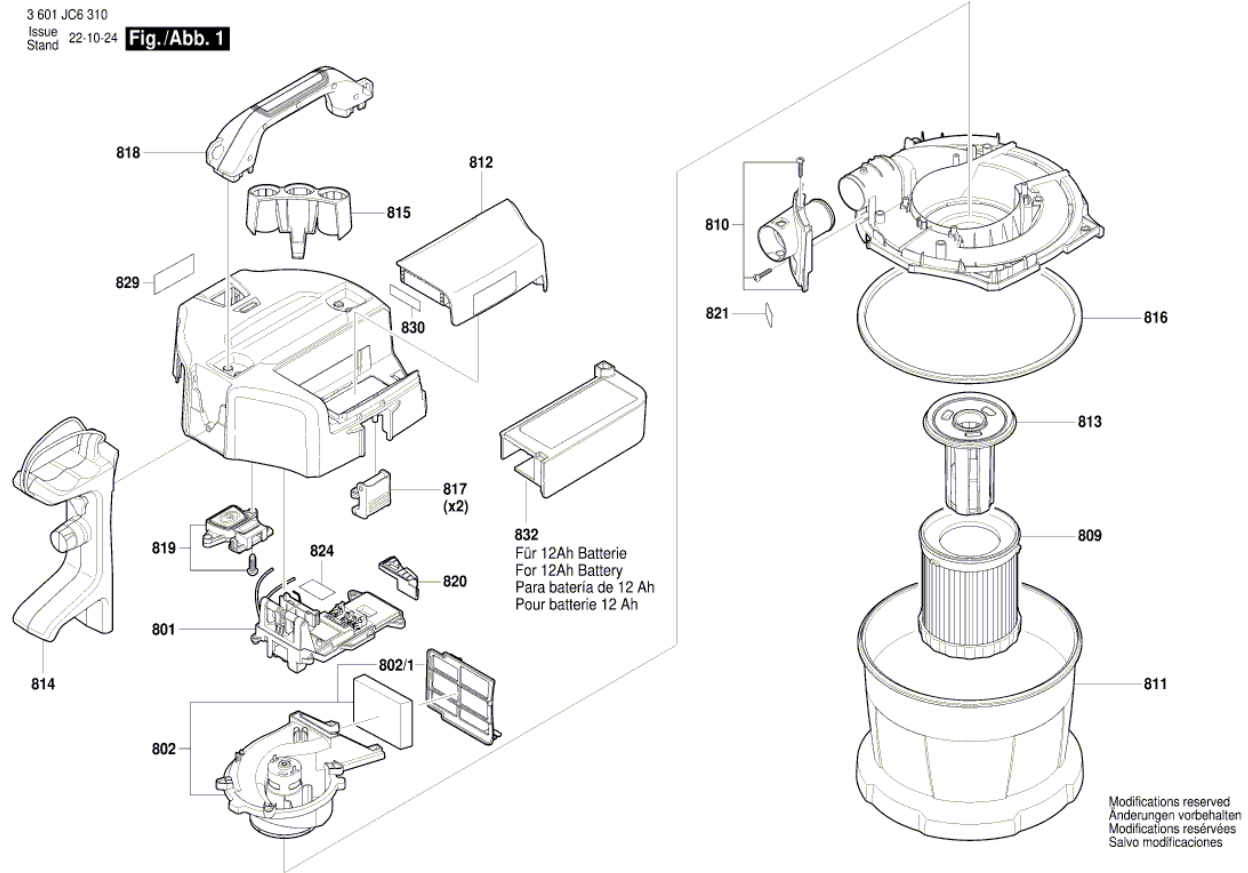
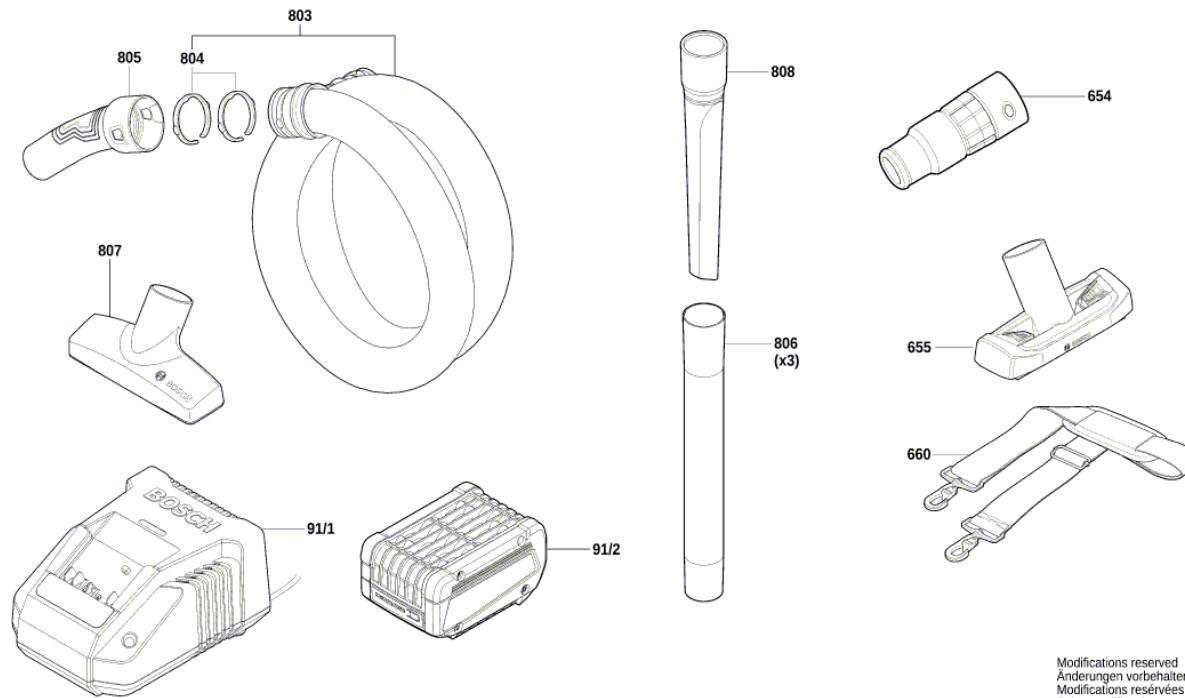


Illustration - Type - E

3 601 JC6 310
Issue | 21-07-06
Stand | **Fig./Abb. 2**



Modifications reserved
Änderungen vorbehalten
Modifications réservées
Salvo modificaciones