

Cordless Hammer Drill - 0 611 213 003 - GBH 24 V

www.powertools-aftersaleservice.com



BOSCH

Item	Part Number	Description	Illustration	Price	Quantity	Price Group
1	1 615 108 046	Motor Housing BLUE	1	-,-	1	29
2	1 615 100 007	Pole housing 24V	1	-,-	1	29
4	2 607 200 134	On-Off Switch	1	-,-	1	23
9	1 611 110 255	Manufacturer's nameplate	1	-,-	1	-
10	1 611 110 730	Manufacturer's nameplate	1	-,-	1	18
17	1 615 132 041	Housing Cover BLUE	1	-,-	1	25
20	1 615 700 037	Intermediate Flange	1	-,-	1	34
21	1 616 490 058	Ratchet Sleeve SDS-PLUS	1	-,-	1	41
22	1 616 320 007	Cylindrical Gear Z=46	1	-,-	1	20
23	1 616 320 002	Cylindrical Gear Z=6/21	1	-,-	1	30
24	1 613 060 010	Toothed Shaft Z=6/10	1	-,-	1	37
26	1 618 700 052	Hammer Piston	1	-,-	1	25
28	1 613 124 026	Striker Pin	1	-,-	1	14
29	1 613 105 012	Piston Pin	1	-,-	1	15
30	1 615 819 005	Drive bearing	1	-,-	1	33
31	1 610 100 003	Support Disc 0,8 MM THICK	1	-,-	2	11
32	1 612 026 023	Clamp Handle BLACK	1	-,-	1	13
34	1 610 508 008	Protective Cap L=17 MM, SDS-PLUS	1	-,-	1	12
35	1 610 206 021	Rubber Ring	1	-,-	1	11
37	1 610 390 011	Damping Bushing	1	-,-	1	15
38	1 610 102 022	Supporting Disc	1	-,-	1	12
39	1 613 100 013	Straight Pin	1	-,-	1	12
40	1 614 690 001	Holding Spring	1	-,-	1	11
41	1 610 920 003	Roller-Cage Assembly	1	-,-	1	16
43	2 601 015 047	Brush Plate	1	-,-	2	11
44	1 614 633 001	Compression Spring	1	-,-	1	14
45	1 614 614 001	Compression Spring	1	-,-	1	11
54	1 610 210 068	O-Ring 24,0x2,5 MM	1	-,-	1	11
55	1 610 206 023	Seal Ring	1	-,-	1	14
56	1 610 210 070	O-Ring 14,0x3,0 MM	1	-,-	1	13
58	1 610 210 058	O-Ring 18,0x3,0 MM	1	-,-	2	13
59	1 610 210 069	O-Ring 6,0x2,5 MM	1	-,-	1	11
60	1 610 210 073	O-Ring 10,0x3,5 MM	1	-,-	1	12

Item	Part Number	Description	Illustration	Price	Quantity	Price Group
61	1 610 283 017	Rotary shaft lip seal	1	-,-	1	20
62	1 610 202 026	Plain bearing	1	-,-	1	17
63	1 610 905 012	groove ball bearing	1	-,-	1	29
64	2 600 905 032	Ball Bearing 7x19x6	1	-,-	1	17
65	1 900 900 228	groove ball bearing 8x22x7	1	-,-	1	20
66	1 610 910 063	Needle bearing Ø30xØ37x12 MM	1	-,-	1	18
67	1 610 910 064	Needle bearing	1	-,-	1	14
68	1 610 920 004	Roller-Cage Assembly	1	-,-	1	16
69	1 610 102 618	Support Disc 1,0 MM THICK	1	-,-	1	13
70	1 903 230 013	Ball DIN 5401-Ø7MM-III-ST	1	-,-	1	11
71	1 610 101 011	Shim washer 1,2 MM THICK	1	-,-	2	11
72	2 916 540 018	Retaining ring DIN 7993-A32	1	-,-	1	15
73	1 614 601 009	Retaining ring DIN 9045-24	1	-,-	1	11
76	1 613 435 009	Tapping Screw ST-4,8x57,5-TORX,T20	1	-,-	4	11
77	2 910 211 021	Tapping Screw DIN 7971-ST3,9x22-F	1	-,-	3	10
78	2 910 211 217	Tapping Screw DIN 7971-B3,9x9,5	1	-,-	2	11
79	2 910 211 206	Tapping Screw DIN 7971-B 2,9x13	1	-,-	4	10
80	2 603 435 015	Recessed-Head Screw DIN 7981-ST3,5x9,5-F	1	-,-	2	11
81	2 603 410 001	Socket head cap screw M3x6,5-4.8	1	-,-	2	11
83	1 903 230 309	Ball 5 MM V DIN 5401	1	-,-	1	11
84	1 610 120 024	Fastening Flange	1	-,-	1	14
87	2 916 540 012	Retaining ring DIN 7993-A22	1	-,-	1	13
88	1 615 719 016	Console	1	-,-	1	27
89/12	2 601 110 999	Sticker	2	-,-	1	11
90	1 610 499 010	Insulating Sleeve	1	-,-	1	16
91	1 611 329 006	Contact Spring	1	-,-	2	13
92	1 614 435 011	Connecting Cable	1	-,-	2	14
94	1 613 120 017	Detent Pin	1	-,-	1	11
120	1 612 025 019	Auxiliary Handle M8	2	-,-	1	19
121	1 618 040 048	Support clamp Ø43 MM	2	-,-	1	21
122	1 613 490 002	T-Head Bolt M8x40 MM	2	-,-	1	14
123	1 611 316 006	Clamping Band Ø43 MM	2	-,-	1	13
125	2 601 110 325	Sticker	1	-,-	1	11
126	1 611 110 274	Sticker RECHARGABLE BATTERY	2	-,-	2	11
700	1 617 000 132	Drill Chuck Shank SDS-PLUS	2	-,-	1	-
700/20	2 603 421 226	Countersunk-Head Screw M6x27 LEFTHAND THREADS	2	-,-	1	11
701	1 608 571 088	Chuck	2	-,-	1	32
701/700	2 607 950 007	Chuck Wrench SG2	2	-,-	1	19
711	1 617 000 133	Parts Set	2	-,-	1	-
711/10/2	2 604 601 004	Retaining ring	2	-,-	1	11
712	1 615 439 003	Dust Tray	2	-,-	1	-
712/30	1 610 312 001	Rubber Bushing Ø5-7 MM	2	-,-	1	-
712/651	1 610 312 002	Rubber Bushing Ø8-10 MM	2	-,-	1	-
720	2 602 025 070	Auxiliary Handle Ø43 MM	2	-,-	1	26
720/800	1 617 000 925	Parts Set	2	-,-	1	27
750	1 615 438 149	Carrying Case	2	-,-	1	-
751	1 613 001 009	Depth-Gauge SW 6x210 MM	2	-,-	1	15
752	1 617 224 007	Battery Charger EU 220V	2	-,-	1	-
789	1 617 334 003	Cadmium-Nickel Battery 24V, 1,4AH, NiCd	2	-,-	1	-
803	1 614 010 114	Armature 24V	1	-,-	1	45
811	1 617 014 116	Carbon Brush	1	-,-	1	29
816	1 615 806 077	Gear Housing BLACK	1	-,-	1	37
821	1 617 000 931	Ratchet Sleeve	1	-,-	1	44

Item	Part Number	Description	Illustration	Price	Quantity	Price Group
827	1 617 000 338	Striker	1	-,-	1	30
833	1 617 000 163	Protection Sleeve SDS-PLUS	1	-,-	1	20
866	1 610 910 063	Needle bearing Ø30xØ37x12 MM	1	-,-	1	18
899	3 605 430 009	Grease Tube 225 ML	2	-,-	1	37

Illustration - Type E

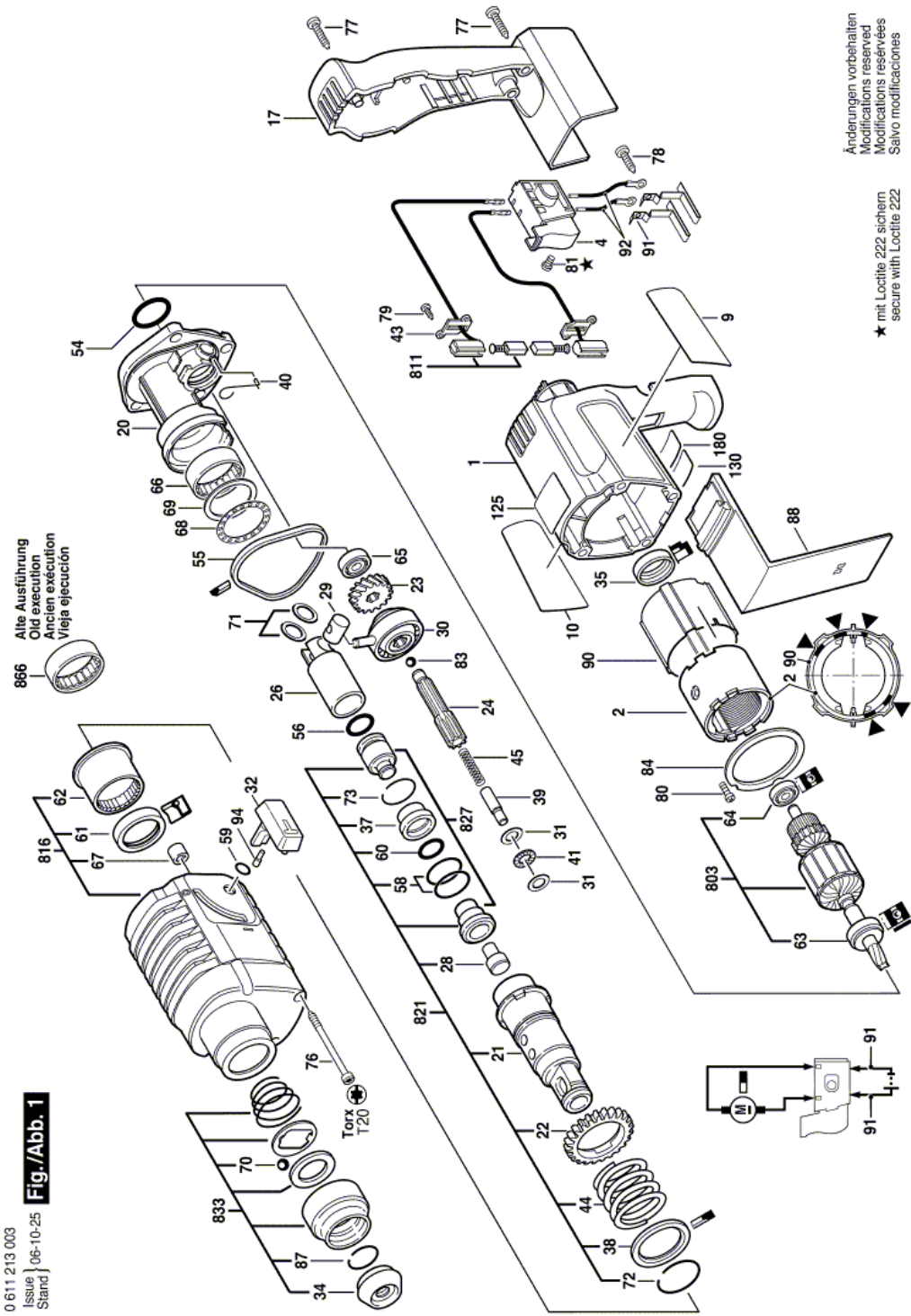
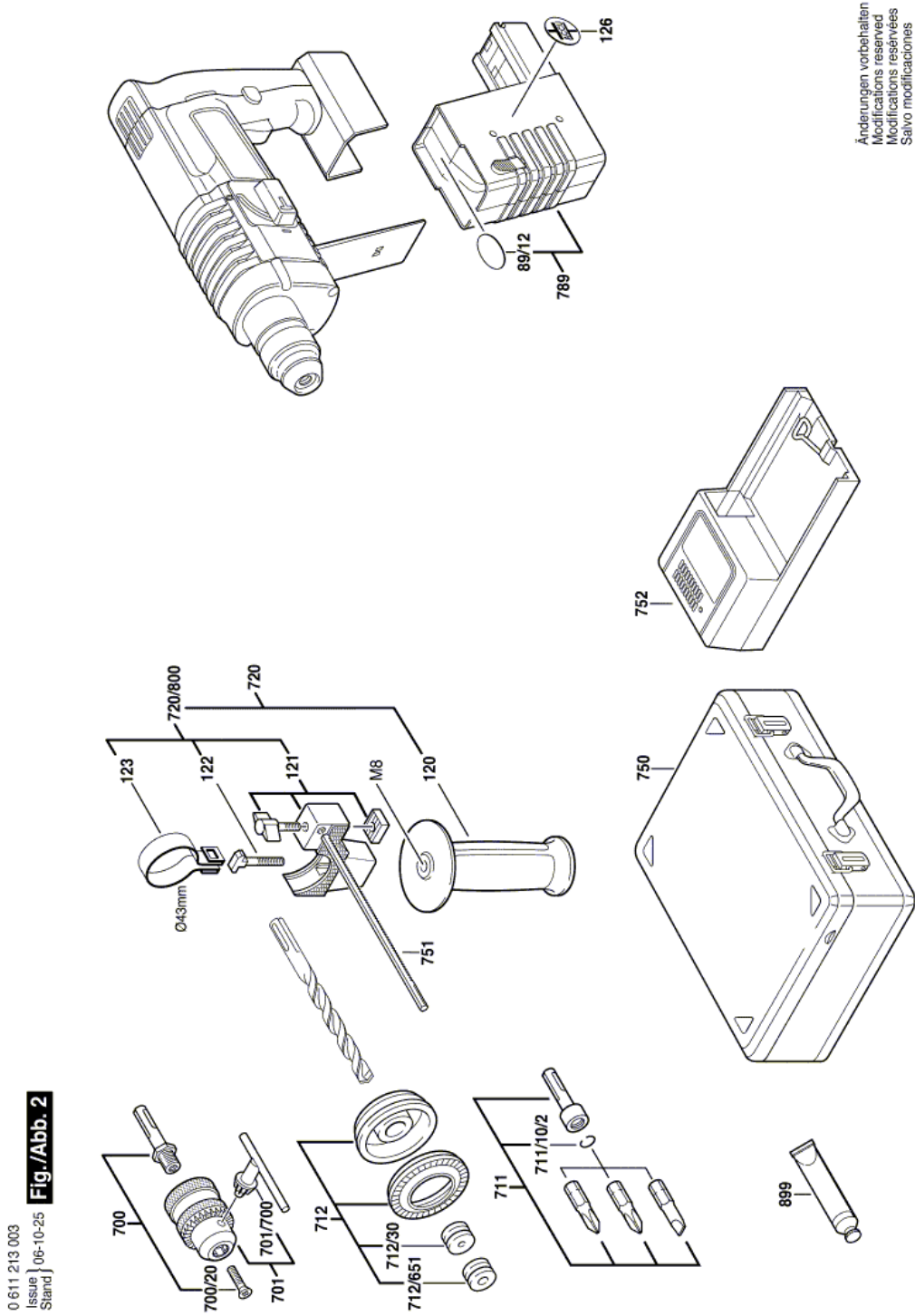


Illustration - Type E



Änderungen vorbehalten
 Modifications reserved
 Modificaciones reservadas
 Salvo modificaciones

0 611 213 003
 Issue | 06-10-25
 Stand | **Fig./Abb. 2**

Information subject to change without further notice.