



**BOSCH**

# Cordless Hammer Drill

GBH 180-LI | 3 611 J11 180

---

## Table of Content

Spare parts list.....	2
Illustration - Type.....	5

# Cordless Hammer Drill | GBH 180-LI | 3 611 J11 180

## Spare parts list

Item	Part Number	Description
1	1 619 P15 614	Motor Housing
2	1 619 P15 329	Stator
3	1 619 P15 328	Rotor
4	1 600 A02 0T1	Electronic Module
5	2 604 690 055	Compression Spring
6	1 619 P13 744	Lens
16	2 603 490 022	Screw 4x16
17	1 610 290 108	O-Ring
19	1 610 210 184	O-Ring 22,0x2,5 MM
20	1 612 026 151	Clamp Handle BLACK
20/2	1 614 690 009	Driver Pin
20/3	1 612 026 035	Switch Button RED
20/4	1 610 210 046	O-Ring 10,5x2,7 MM
20/5	1 614 611 006	Compression Spring
22	1 616 328 053	Gear Sleeve
26	1 618 700 083	Hammer Piston
27	1 618 710 085	Striker
28	1 613 124 084	Striker Pin
29	1 613 100 034	Piston Pin
31	1 619 P09 816	Retaining ring
32	1 610 508 051	Rubber Bushing
33	1 615 820 103	Switching Element
34	1 619 P00 829	Retaining ring
36	1 610 551 008	Holding Plate
37	1 610 100 016	Guide Disc
38	1 616 317 084	Cylindrical Gear
39	1 614 601 055	Retaining ring
40	1 613 100 032	Straight Pin
41	1 610 102 072	Ratchet Disc
44	1 610 102 092	Friction Washer
45	1 611 016 003	Holding Plate
46	1 614 630 003	Compression Spring
47	1 610 202 031	Plain bearing
49	1 615 820 104	Switching Element
50	1 619 P11 562	Guide Bushing

**Spare parts list**

<b>Item</b>	<b>Part Number</b>	<b>Description</b>
51	1 610 021 004	Shift Plate
52	1 610 021 006	Shift Plate
53	1 610 021 005	Shift Plate
54	1 613 023 005	Guide Rod
55	1 610 508 052	Protective Cap
60	1 614 601 077	Spring retaining ring
63	1 903 230 013	Ball     DIN 5401-Ø7MM-III-ST
65	1 610 210 244	O-Ring     13,0x3,0 MM
66	1 619 P12 083	Ball Bearing
67	1 619 P16 119	groove ball bearing
68	1 600 100 037	Plain Washer
69	1 619 P13 747	Change-Over Switch
71	2 603 490 023	Torx Oval-Head Screw     4x20
72	1 619 P09 645	Torx Oval-Head Screw
75	1 614 643 025	Compression Spring
76	1 614 643 023	Compression Spring
77	1 610 283 048	Shaft Seal
211	1 619 P09 815	Hammer Pipe
807	1 619 P15 676	Intermediate housing
808	1 619 P15 692	Label
818	1 619 P15 677	Intermediate Flange
821	1 619 P09 617	Hammer Pipe
824	1 617 000 6BC	Jack Shaft
843	1 619 P15 678	Gear Housing
856	1 617 000 6D3	Protection Sleeve
651	1 613 001 009	Depth-Gauge     SW 6x210 MM
653	1 607 A35 0M0	Battery Pack     GBA 18V 4.0Ah
653	2 607 337 069	Battery Pack     BBS MR, 18V, 5,0 Ah 48 S
654	2 607 225 439	Fast Charger     CN 220/10,8-18V, 1h
654	2 607 225 937	Charger     CN GAL 1880 CV 220V/14,4-18V
654	2 607 226 267	Fast Charger     CN GAL 18V-40
691/895	1 619 P14 336	Latch
822	1 602 025 08X	Auxiliary Handle
822/120	1 602 025 07H	Auxiliary Handle
822/124	1 611 316 021	Clamping Band     Ø50 MM

**Spare parts list**

<b>Item</b>	<b>Part Number</b>	<b>Description</b>	
822/125	1 613 490 002	T-Head Bolt	M8x40 MM
822/802	1 617 000 475	Support clamp	
892	1 615 430 020	Grease Tube	225 ML
893	1 615 430 001	Grease Tube	225 ML

Illustration - Type - E

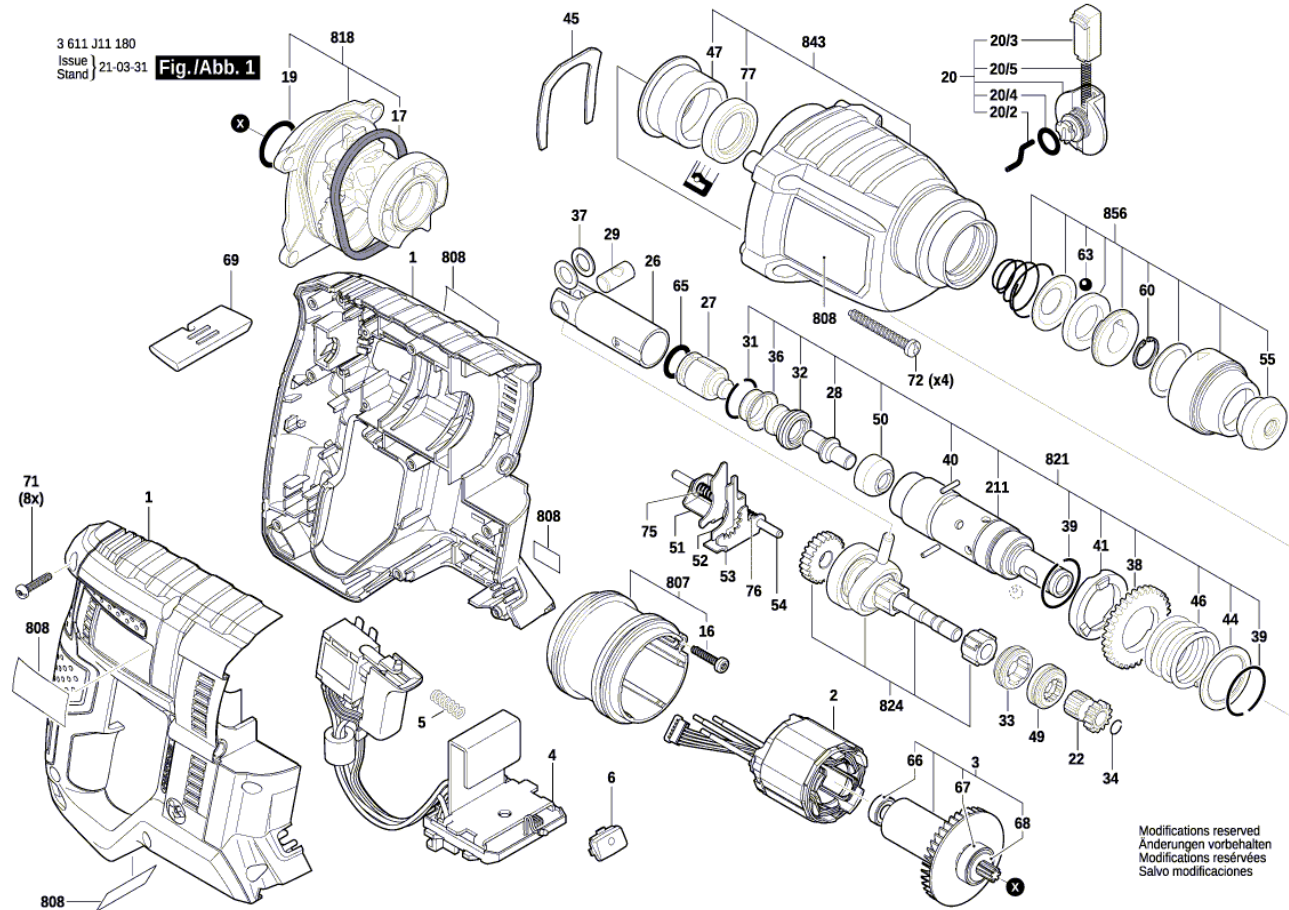
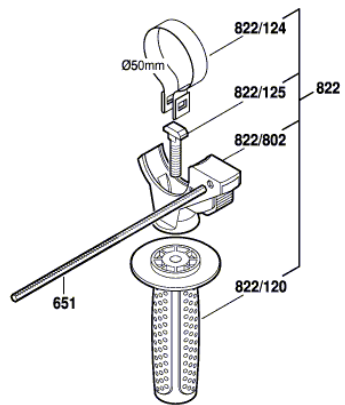


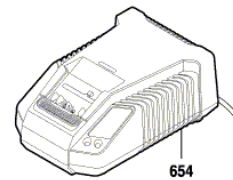
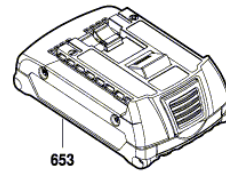
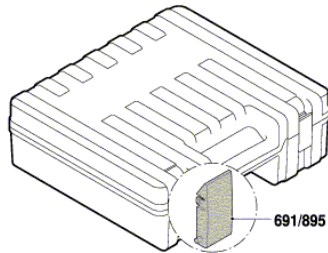
Illustration - Type - E

3 611 J11 180  
 Issue | 20-08-19  
 Stand | **Fig./Abb. 2**



Austrastmoment 28,0 - 8,0 Nm  
 Slipping point of clutch 28,0 - 8,0 Nm  
 Couple de glissement 28,0 - 8,0 Nm  
 Momento de desenclavamiento 28,0 - 8,0 Nm

Anzugsmomente  
 Torque values  
 Couple de serrage  
 Pares de apriete  
 Pos. 16 = 1,2 - 1,7 Nm  
 71 = 1,6 - 2,0 Nm  
 72 = 2,2 - 2,7 Nm  
 822/120 = 2,7 - 4,7 Nm



Modifications reserved  
 Änderungen vorbehalten  
 Modifications réservées  
 Salvo modificaciones