



BOSCH

Cordless Hammer Drill

GBH18V-26 | 3 611 J09 080

Table of Content

Spare parts list.....	2
Illustration - Type.....	5

Spare parts list

Item	Part Number	Description
1	1 605 108 2B2	Housing Section
3	1 600 A00 AR1	Rotor
4	1 607 233 59J	Electronics Module
5	1 609 280 477	Compression Spring
9	1 601 11C ORN	Manufacturer's nameplate
10	1 601 11C ORP	Manufacturer's nameplate
11	1 601 11C ORX	Reference Plate
17/18	1 610 210 156	O-Ring 39,0x3,0 MM
24	1 600 A00 H7C	Jack Shaft
24/61	1 600 A00 MX9	Switching Element
24/65	1 610 905 016	groove ball bearing
26	1 600 A00 H7D	Hammer Piston
26/27	1 600 A00 733	Striker
26/29	1 600 A01 TD0	Piston Pin
26/56	1 610 210 187	O-Ring
26/71	1 610 100 016	Guide Disc
30	1 600 A00 H7E	Drive bearing Auf Zeichnung Pos.830
32	1 612 026 037	Clamp Handle BLACK
32/46	1 614 690 002	Driver Pin
32/49	1 612 026 035	Switch Button RED
32/76	1 610 210 046	O-Ring 10,5x2,7 MM
32/83	1 614 611 006	Compression Spring
36	1 600 A00 7TL	Bearing Holder
41	1 605 108 2B8	Motor Housing
47	1 613 100 030	Needle Roller
51	1 600 A00 7JH	Control Element
55	1 610 210 206	Seal Ring 63,0x5,0 MM
57	1 610 210 208	O-Ring 24,0x2,0 MM
64/1	1 610 190 060	Supporting Disc
76	1 613 435 022	Thread-forming tap. Screw
77	2 603 490 023	Torx Oval-Head Screw 4x20
79	1 613 435 023	Thread-forming tap. Screw
80	1 603 430 00V	Torx Oval-Head Screw
81	1 603 435 086	Torx head screw
84	1 600 A00 1E5	Switch Slide

Spare parts list

Item	Part Number	Description
88	2 916 660 042	Retaining ring
92	1 600 A00 1ED	Control Element
93	1 600 A00 798	Guide Piece
94	1 601 200 006	Leaf Spring
100	1 600 A00 752	Lens
101	1 600 A00 7RX	Adjusting disk 0,200
101	1 600 A00 7RY	Adjusting disk 0,3
101	1 600 A00 7RZ	Adjusting disk 0,4
102	2 603 100 056	Damping rubber
105	1 600 A00 7RE	Compression Spring
109	1 603 435 07U	Thread-forming tap. Screw
200	1 600 A00 1CL	Bellows
202	1 600 A02 8AU	Protection Sleeve
203	1 610 508 047	Protective Cap
204	1 614 643 003	Compression Spring
206	1 903 230 013	Ball DIN 5401-Ø7MM-III-ST
207	1 614 601 027	Retaining ring
208	1 610 101 629	Retaining Washer
209	1 610 102 025	Friction Washer
210	1 610 190 011	Holding Plate
211	1 604 601 02S	Retaining ring
321/22	1 600 A00 7JW	Cylindrical Gear
321/28	1 613 124 081	Striker Pin
321/33	1 610 590 014	Holding Jacket
321/34	1 610 190 067	Supporting Disc
321/37	1 613 100 019	Straight Pin DIN6325-2,5x12-RIKO
321/38	1 600 A00 8AG	Catch Disk
321/42	1 610 102 073	Thrust Ring
321/46	1 610 390 051	Guide Bushing
321/50	1 614 611 020	Compression Spring
321/58	1 610 210 178	O-Ring
321/59	1 610 283 035	Rotary shaft lip seal
321/60	1 610 210 176	O-Ring 9,0x3,5 MM
321/62	1 610 210 179	O-Ring
321/72	1 604 601 027	Retaining ring

Spare parts list

Item	Part Number	Description
321/73	1 614 601 012	Retaining ring
321/82	1 614 601 034	Retaining ring
321/83	1 604 601 028	Retaining ring A22 DIN 7993
340	1 600 A00 H7F	Impact Mechanism Housing
340/48	1 611 098 008	Tab Washer
340/63	1 610 910 063	Needle bearing Ø30xØ37x12 MM
340/67	1 610 910 098	Needle bearing
340/68	1 610 283 036	Rotary shaft lip seal
340/78	2 603 490 022	Screw 4x16
802	1 600 A01 5E8	Stator
808	1 601 11A 3H9	Nameplate
817	1 607 000 C8Y	Bearing Flange
820	1 607 000 C8X	Intermediate Flange
821	1 607 000 C8Z	Pipe
825	1 617 000 598	Tool Holding Fixture
843	1 617 000 582	Protection Sleeve
855	1 600 210 07U	O-Ring
864	1 617 000 A07	Supporting Disc
120	1 602 025 08X	Auxiliary Handle
120/120	1 602 025 07H	Auxiliary Handle
120/124	1 611 316 021	Clamping Band Ø50 MM
120/125	1 613 490 002	T-Head Bolt M8x40 MM
120/802	1 617 000 475	Support clamp
651	1 613 001 009	Depth-Gauge SW 6x210 MM
653	1 607 A35 00K	Battery Pack TWN GBA 18V 5.0Ah M-C
653	1 607 A35 014	Battery Pack GBA 18V 6,0Ah M-C (CN)
653/1/22	1 601 11C 0PB	Sticker
654	2 607 225 937	Charger CN GAL 1880 CV 220V/14,4-18V

Illustration - Type - E

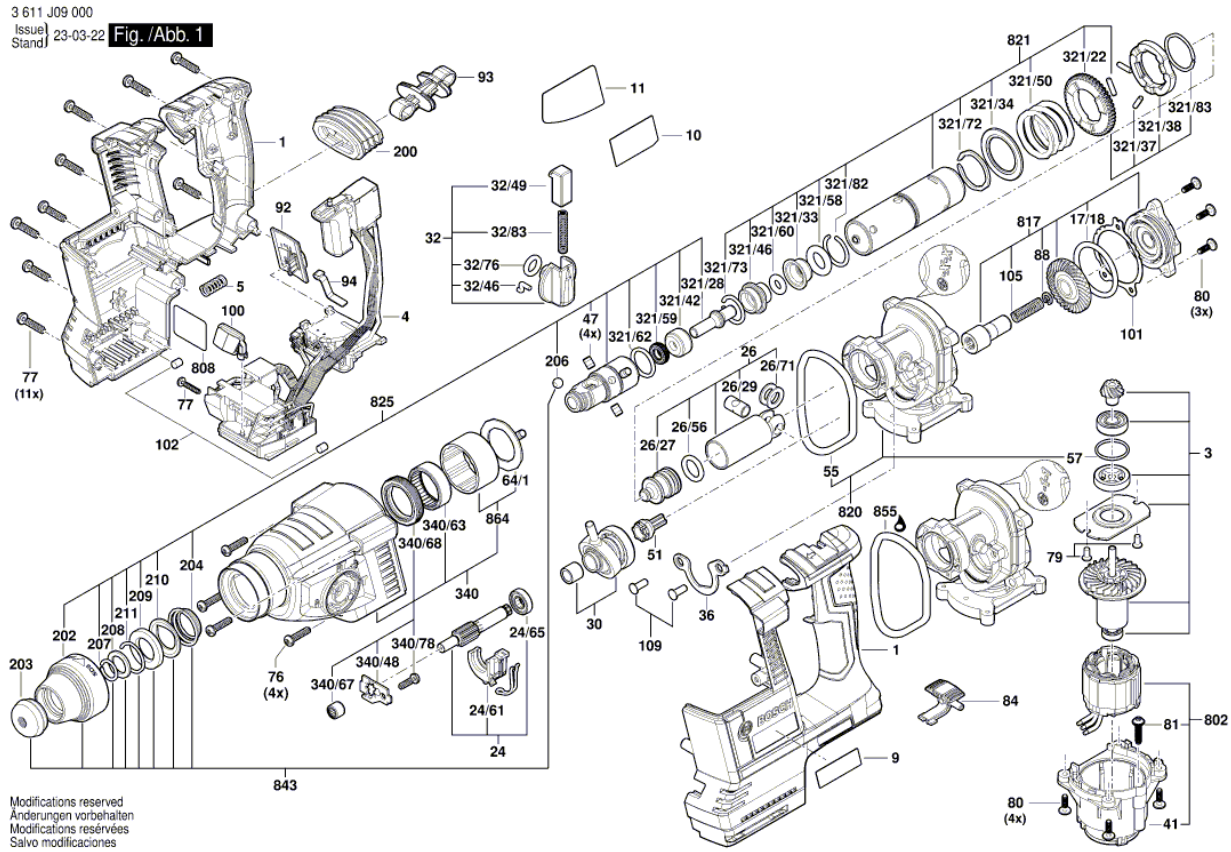
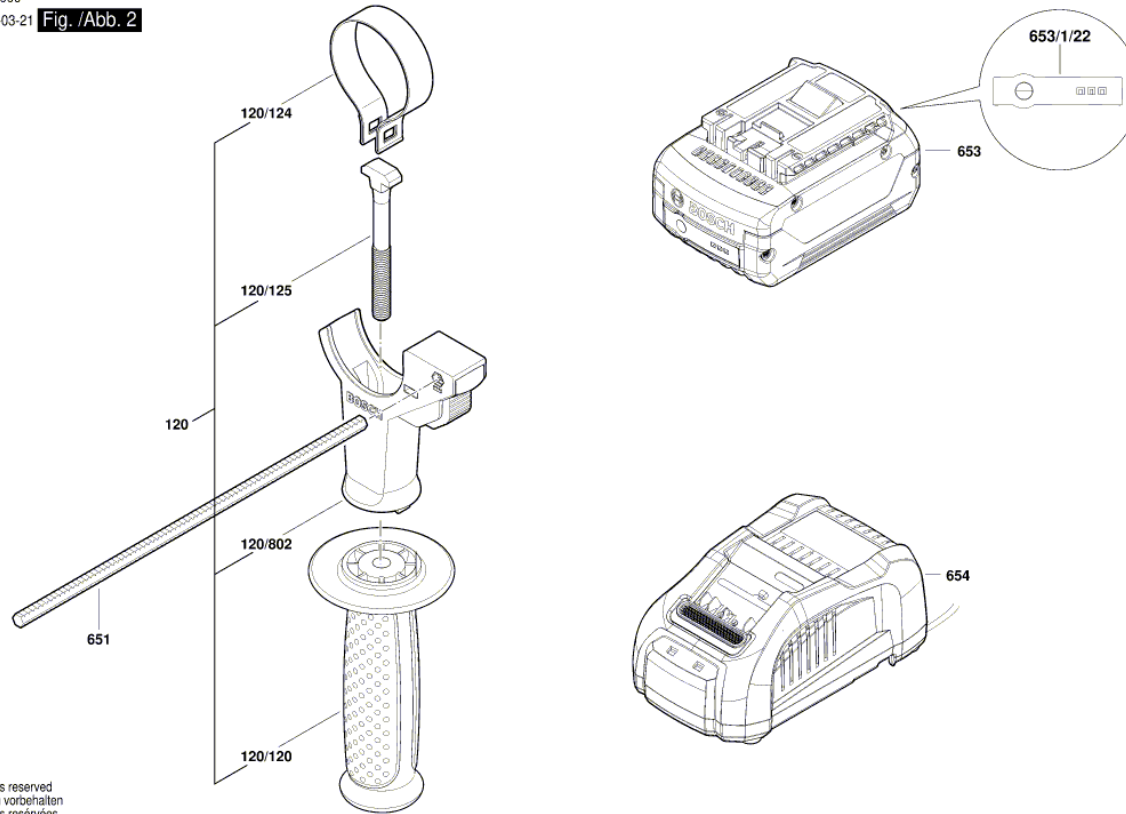


Illustration - Type - E

3 611 J09 000
Issue/Stand | 17-03-21 | Fig. /Abb. 2



Modifications reserved
Änderungen vorbehalten
Modifications réservées
Salvo modificaciones