

Cordless Hammer Drill - 3 611 J16 010 - GBH18V-26D

www.powertools-aftersaleservice.com

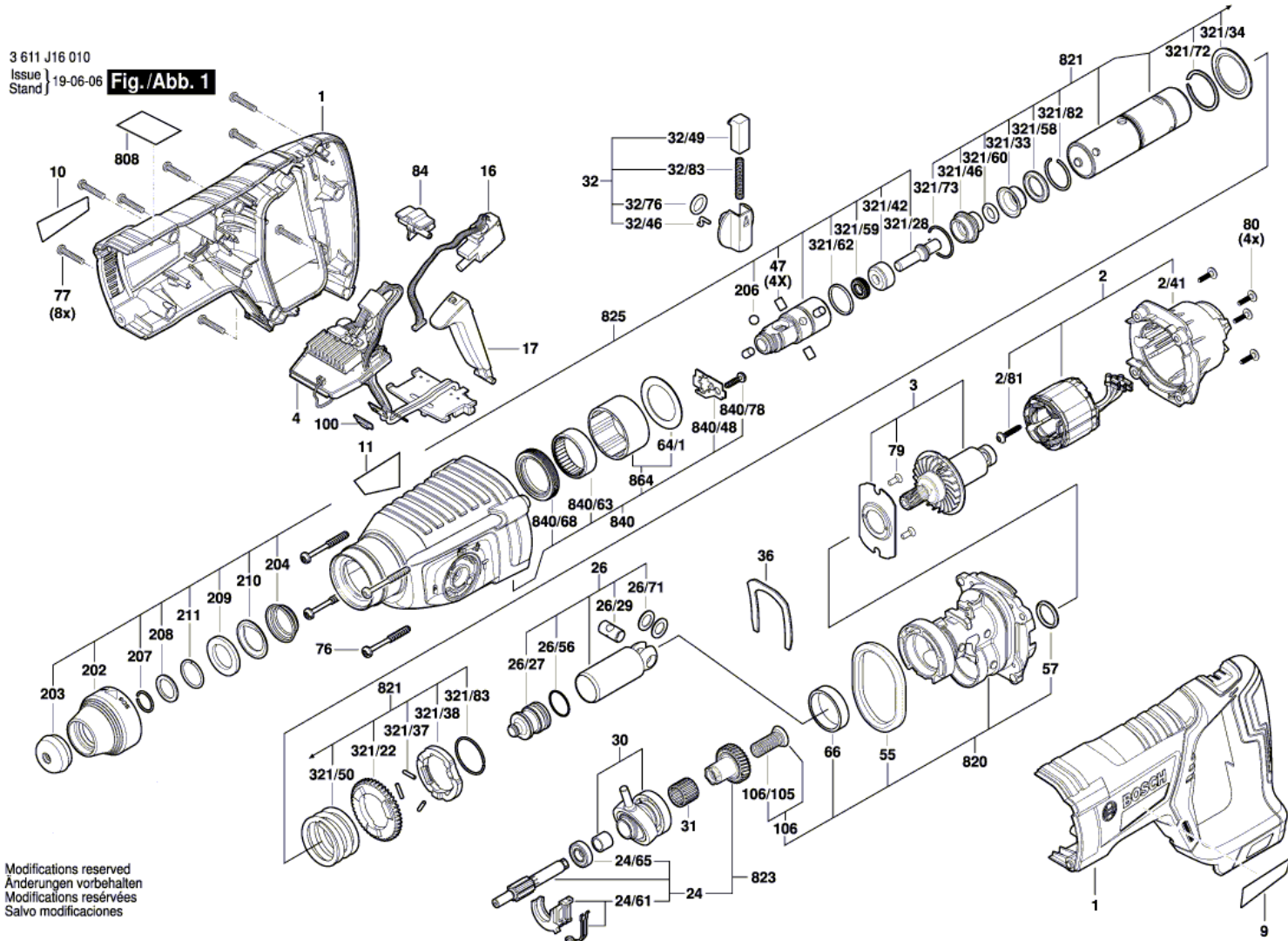


BOSCH

Item	Part Number	Description	Illustration	Price	Quantity	Price Group
1	1 605 108 2HZ	Motor Housing	1	-,-	1	-
2	1 600 A01 4ZC	Stator	1	-,-	1	-
2/41	1 600 A01 6CC	Stator Casing	1	-,-	1	-
2/81	1 603 435 086	Torx head screw	1	\$ 0.68	1	10
3	1 600 A01 5AA	Rotor	1	-,-	1	-
4	1 607 233 5GP	Electronics Module	1	-,-	1	-
9	1 601 11C 2MY	Manufacturer's nameplate	1	-,-	1	-
10	1 601 11C 2MZ	Manufacturer's nameplate	1	-,-	1	-
11	1 601 11C 2L9	Warning Plate	1	-,-	1	-
16	2 607 202 381	Switch	1	-,-	1	-
17	1 600 A01 5T4	Switch-Pawl	1	-,-	1	-
24	1 600 A01 4E1	Toothed Shaft	1	-,-	1	-
24/61	1 615 820 097	Switching Element	1	\$ 2.58	1	15
24/65	1 610 905 016	groove ball bearing	1	\$ 7.57	1	22
26	1 600 A00 H7D	Hammer Piston	1	\$ 16.00	1	29
26/27	1 600 A00 733	Striker	1	\$ 5.72	1	20
26/29	1 613 105 020	Piston Pin	1	\$ 3.73	1	17
26/56	1 610 210 187	O-Ring	1	\$ 1.12	1	11
26/71	1 610 100 016	Guide Disc	1	\$ 1.12	2	11
30	1 600 A00 H7E	Drive bearing Auf Zeichnung Pos.830	1	\$ 15.00	1	28
31	1 610 913 016	Needle-Roller Assembly	1	\$ 2.58	1	15
32	1 612 026 037	Clamp Handle BLACK	1	\$ 7.57	1	22
32/46	1 614 690 002	Driver Pin	1	\$ 1.12	1	11
32/49	1 612 026 035	Switch Button RED	1	\$ 1.12	1	11
32/76	1 610 210 046	O-Ring 10,5x2,7 MM	1	\$ 1.12	1	11
32/83	1 614 611 006	Compression Spring	1	\$ 2.58	1	15
36	1 611 016 003	Holding Plate	1	\$ 1.36	1	12
47	1 613 100 030	Needle Roller	1	\$ 2.01	4	14
55	1 610 290 226	Seal Ring 53,0x7,0 MM	1	\$ 2.58	1	15
57	1 610 210 068	O-Ring 24,0x2,5 MM	1	\$ 1.12	1	11
64/1	1 610 190 060	Supporting Disc	1	\$ 1.12	1	11
66	1 610 202 021	Plain bearing	1	\$ 1.70	1	13
76	1 613 435 022	Thread-forming tap. Screw	1	\$ 0.68	4	10

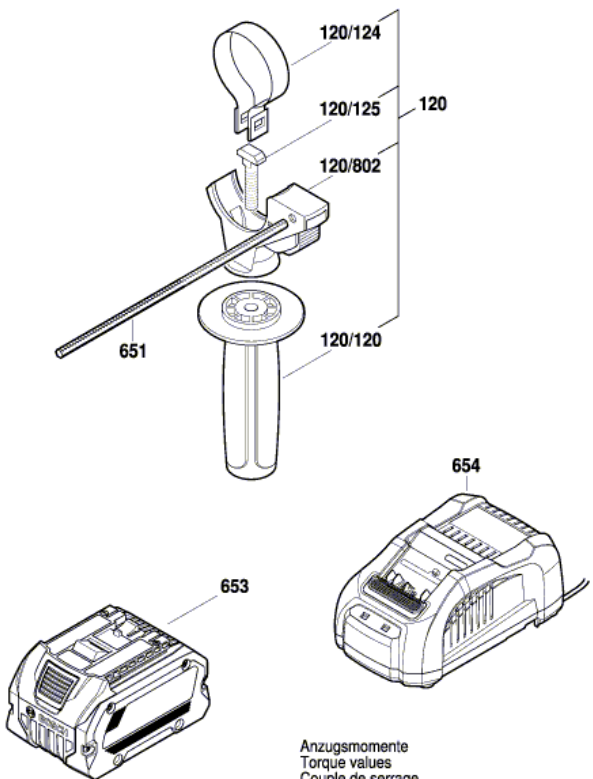
Item	Part Number	Description	Illustration	Price	Quantity	Price Group
77	2 603 490 023	Torx Oval-Head Screw 4x20	1	\$ 0.68	8	10
79	1 613 435 023	Thread-forming tap. Screw	1	\$ 0.68	2	10
80	1 603 430 00V	Torx Oval-Head Screw	1	\$ 0.68	4	10
84	1 600 A01 5UH	Switch Slide	1	-,-	1	-
100	1 600 A00 0LE	Lens	1	\$ 1.12	1	11
106	1 614 611 022	Plain bearing	1	\$ 1.70	1	13
106/105	1 614 611 021	Compression Spring	1	\$ 1.12	1	11
120	1 602 025 09X	Auxiliary Handle	2	-,-	1	-
120/120	1 612 025 083	Auxiliary Handle BLACK	2	-,-	1	-
120/124	1 611 316 021	Clamping Band Ø50 MM	2	\$ 2.01	1	14
120/125	1 613 490 002	T-Head Bolt M8x40 MM	2	\$ 1.36	1	12
120/802	1 617 000 475	Support clamp	2	\$ 6.57	1	21
202	1 610 499 054	Protection Sleeve	1	\$ 1.36	1	12
203	1 610 508 047	Protective Cap	1	\$ 1.36	1	12
204	1 614 643 003	Compression Spring	1	\$ 0.68	1	10
206	1 903 230 013	Ball DIN 5401-Ø7MM-III-ST	1	\$ 0.68	1	10
207	1 614 601 027	Retaining ring	1	\$ 0.68	1	10
208	1 610 101 629	Retaining Washer	1	\$ 0.68	1	10
209	1 610 102 025	Friction Washer	1	\$ 1.36	1	12
210	1 610 190 011	Holding Plate	1	\$ 1.12	1	11
211	1 604 601 02S	Retaining ring	1	\$ 0.68	1	10
321/22	1 600 A00 7JW	Cylindrical Gear	1	\$ 4.94	1	19
321/28	1 613 124 081	Striker Pin	1	\$ 6.57	1	21
321/33	1 610 590 014	Holding Jacket	1	\$ 1.36	1	12
321/34	1 610 190 067	Supporting Disc	1	\$ 1.36	1	12
321/37	1 613 100 019	Straight Pin DIN6325-2,5x12-RIKO	1	\$ 1.12	3	11
321/38	1 600 A00 8AG	Catch Disk	1	\$ 2.58	1	15
321/42	1 610 102 073	Thrust Ring	1	\$ 2.94	1	16
321/46	1 610 390 051	Guide Bushing	1	\$ 4.94	1	19
321/50	1 614 611 020	Compression Spring	1	\$ 2.01	1	14
321/58	1 610 283 035	Rotary shaft lip seal	1	\$ 3.73	1	17
321/59	1 610 283 035	Rotary shaft lip seal	1	\$ 3.73	1	17
321/60	1 610 210 176	O-Ring 9,0x3,5 MM	1	\$ 0.68	1	10
321/62	1 610 210 179	O-Ring	1	\$ 1.12	1	11
321/72	1 604 601 027	Retaining ring	1	\$ 0.68	1	10
321/73	1 614 601 012	Retaining ring	1	\$ 0.68	1	10
321/82	1 614 601 034	Retaining ring	1	\$ 1.36	1	12
321/83	1 604 601 028	Retaining ring A22 DIN 7993	1	\$ 0.68	1	10
651	1 613 001 009	Depth-Gauge SW 6x210 MM	2	-,-	1	-
653	1 607 A35 0AP	Battery Pack GBA 18V40 4.0Ah ProCore SCM	2	\$ 99.00	1	46
653	1 607 A35 0CH	Battery Pack GBA18V80 8.0Ah ProCore SCM	2	\$ 148.00	1	49
654	2 607 225 927	Charger USA BC 1880 CV 13,3-18V/120V	2	\$ 52.50	1	40
654	2 607 226 257	Fast Charger USA GAL 18V-40 120V/ 4A/ 10.8-18V	2	\$ 26.50	1	34
808	1 601 11A 3H9	Nameplate	1	\$ 1.36	1	12
820	1 600 A01 AH5	Intermediate Flange	1	-,-	1	-
821	1 607 000 C8Z	Pipe	1	\$ 49.00	1	39
823	1 600 A01 AH6	Toothed Shaft	1	-,-	1	-
825	1 617 000 598	Tool Holding Fixture	1	\$ 38.00	1	37
840	1 607 000 C5N	Gear Housing	1	\$ 30.50	1	35
840/48	1 611 098 008	Tab Washer	1	\$ 1.36	1	12
840/63	1 610 910 063	Needle bearing Ø30xØ37x12 MM	1	\$ 4.31	1	18
840/68	1 610 283 036	Rotary shaft lip seal	1	\$ 5.72	1	20
840/78	2 603 490 022	Screw 4x16	1	\$ 0.68	1	10

Item	Part Number	Description	Illustration	Price	Quantity	Price Group
864	1 617 000 A07	Supporting Disc	1	\$ 8.70	1	23



3 611 J16 010
 Issue | 19-05-06
 Stand }

Fig./Abb. 2



Anzugsmomente
 Torque values
 Couple de serrage
 Pares de apriete
 Pos. 76 = 2,8 - 3,5Nm
 77 = 2,2 - 2,6Nm
 81 = 1,2 - 1,4Nm
 78 = 2,0 - 2,5Nm
 79 = 1,5 - 2,0Nm

Ausrastmoment 28,0 - 8,0 Nm
 Slipping point of clutch 28,0 - 8,0 Nm
 Couple de gissement 28,0 - 8,0 Nm
 Momento de desenclavamiento 28,0 - 8,0 Nm

Modifications reserved
 Änderungen vorbehalten
 Modifications réservées
 Salvo modificaciones

Information subject to change without further notice.