



BOSCH

Cordless Hammer Drill

GBH 18V-40C | 3 611 J17 110

Table of Content

Spare parts list.....	2
Illustration - Type.....	6

Spare parts list

Item	Part Number	Description	Illustration	
9	1 601 11C 3PA	Manufacturer's nameplate	1	
10	1 601 11C 3NJ	Warning Plate	1	
11	1 601 11C 3PC	Sticker	1	
12	1 601 11C 3PE	Sticker	1	
20	1 619 P10 164	Toolholder	1	
21	1 619 P07 829	Protective Cap	1	
22	1 619 P10 160	Protection Sleeve	1	
25	1 619 P07 742	Stopping Device	1	
28	1 614 621 000	Compression Spring	1	
29	1 619 P10 163	Bushing	1	
30	1 619 P10 162	Supporting Disc	1	
31	1 619 P07 743	Supporting Disc	1	
35	1 619 P10 167	Hammer Pipe	1	
37	1 619 P10 377	Cylindrical Roller	1	
38	1 600 A01 U4M	Covering hood	1	
39	1 600 A01 U4T	Motor Hood	1	
42	1 600 A01 U4U	Motor Guard	1	
43	1 600 A01 U4V	Fan Cover	1	
44	1 619 P10 381	Compression Spring	1	
45	1 610 499 070	Control Bushing	1	
46	1 600 A02 9MC	Perforated Ring	1	
47	1 610 300 064	Gear Sleeve	1	
48	1 616 334 012	Clutch Sleeve	1	
53	1 610 290 068	Support Disc	1	
54	1 610 231 002	Guide Bushing	1	
57	1 618 710 091	Striker	1	
72	1 600 A01 4S9	Eccentric Cog Wheel	1	
74	1 611 921 001	Guide Plate	1	
79	1 613 435 015	Torx Oval-Head Screw SILVER	M5x12-TORX,T25	1
94	1 610 102 056	Friction Washer	1	
95	1 610 210 173	O-Ring 32,0x1,5 MM	1	
97	1 610 031 005	Locking Washer	1	
99	1 610 102 059	Support Disc	1	
100	1 613 120 022	Driving Pin	1	

Cordless Hammer Drill | GBH 18V-40C | 3 611 J17 110

Spare parts list

Item	Part Number	Description	Illustration
101	1 610 499 073	Retaining snap ring	1
102	1 610 102 057	Shim 0,3 MM	1
102	1 610 102 058	Shim 0,2 MM	1
104	1 610 210 160	O-Ring 52,0x2,0 MM	1
117	1 610 913 029	Needle-Roller Assembly	1
120	1 610 590 019	Stop Sleeve	1
123	1 603 430 03T	Screw	1
125	1 613 435 014	Torx Oval-Head Screw M5x16-TORX,T25 SILVER	1
129	1 600 A01 U8X	Cover Pipe	1
130	1 600 A01 U8U	Cover	1
138	1 611 015 053	Sealing Frame	1
141	1 610 290 066	Rotary shaft lip seal	1
142	1 610 290 069	Rotary shaft lip seal	1
143	1 614 601 021	Retaining ring DIN 7993-28x2	1
145	1 610 119 012	Spring retaining ring	1
150	2 917 790 174	Slotted Spring Pin	1
154	2 916 660 023	Spring retaining ring DIN 472 52x2MM	1
158	1 614 601 070	Retaining ring	1
160	1 610 290 095	Damping Ring	1
161	1 600 A02 AM8	Damping Ring	1
162	1 610 210 204	O-Ring 22,5x3,5 MM	1
163	1 610 290 065	Seal Ring	1
165	1 610 210 079	O-Ring 22,0x4,0 MM	1
167	1 610 283 033	Rotary shaft lip seal	1
168	1 610 210 144	O-Ring 22,0x3,0 MM	1
171	1 619 P07 816	Torx Oval-Head Screw M5x16-TORX, T25 SILVER	1
172	1 613 435 013	Torx Oval-Head Screw M6x30-TORX,T30 SILVER	1
173	2 603 490 022	Screw 4x16	1
174	1 613 435 040	Torx Oval-Head Screw	1
189	1 605 132 17Z	Handle	1
190	1 600 A01 5RL	Handle Cover	1
192	1 600 A01 5RV	Rocker Foot	1
196	1 600 A00 2PC	Damping rubber	1

Cordless Hammer Drill | GBH 18V-40C | 3 611 J17 110

Spare parts list

Item	Part Number	Description	Illustration
197	1 601 200 00C	Leaf Spring	1
204	1 600 A01 U8V	Rear Housing Section	1
304	2 607 202 360	Switch	1
308	1 608 040 11N	Electronics Module	1
309	1 600 A02 158	Ribbon cable	1
381	1 607 233 5EP	Electronic Module	1
382	1 607 503 566	Ribbon cable	1
383	1 600 A01 6CY	Electronics Module	1
384	1 607 503 567	Ribbon cable	1
385	1 600 A01 6ML	Cover Panel	1
387	1 600 A01 N8R	Cover unit	1
388	1 600 A01 P8Z	LED-Module	1
801	1 607 000 E8R	Brushless DC motor	1
802	1 600 A01 R8P	Ribbon cable	1
805	1 607 000 EG2	Contact retainer	1
805/1	1 607 000 EG3	Contact retainer	1
806	1 607 000 DF6	Rail	1
808	1 601 11A 3H5	Nameplate	1
821	1 619 P10 749	Bushing	1
840	1 619 P10 770	Impact Mechanism Housing	1
841	1 619 P10 752	Striker Pin	1
849	1 617 000 839	Control Fork	1
854	1 607 000 EE0	Guide Bushing	1
856	1 619 P10 765	Hammer Piston	1
860	1 607 000 E7U	Spur Wheel Clutch	1
873	1 607 000 E8S	Housing Cover	1
880	1 607 000 E8P	Electronics Module	1
891	1 607 000 DF1	Rocker Arm	1
894	1 607 000 DF2	Screw Plate	1
897	1 607 000 DF4	Boot	1
898	1 607 000 DF5	Boot	1
84	1 602 025 09C	Auxiliary Handle	2
85	1 600 A01 U8T	Support clamp	2
86	1 613 490 002	T-Head Bolt M8x40 MM	2
87	1 619 P07 776	Clamping Band	2

Spare parts list

Item	Part Number	Description	Illustration
691/1	1 605 438 1JG	Carrying Case	2
691/2	6 082 850 6ZJ	Insert	2
884	1 607 000 E8T	Auxiliary Handle	2

Illustration - Type - E

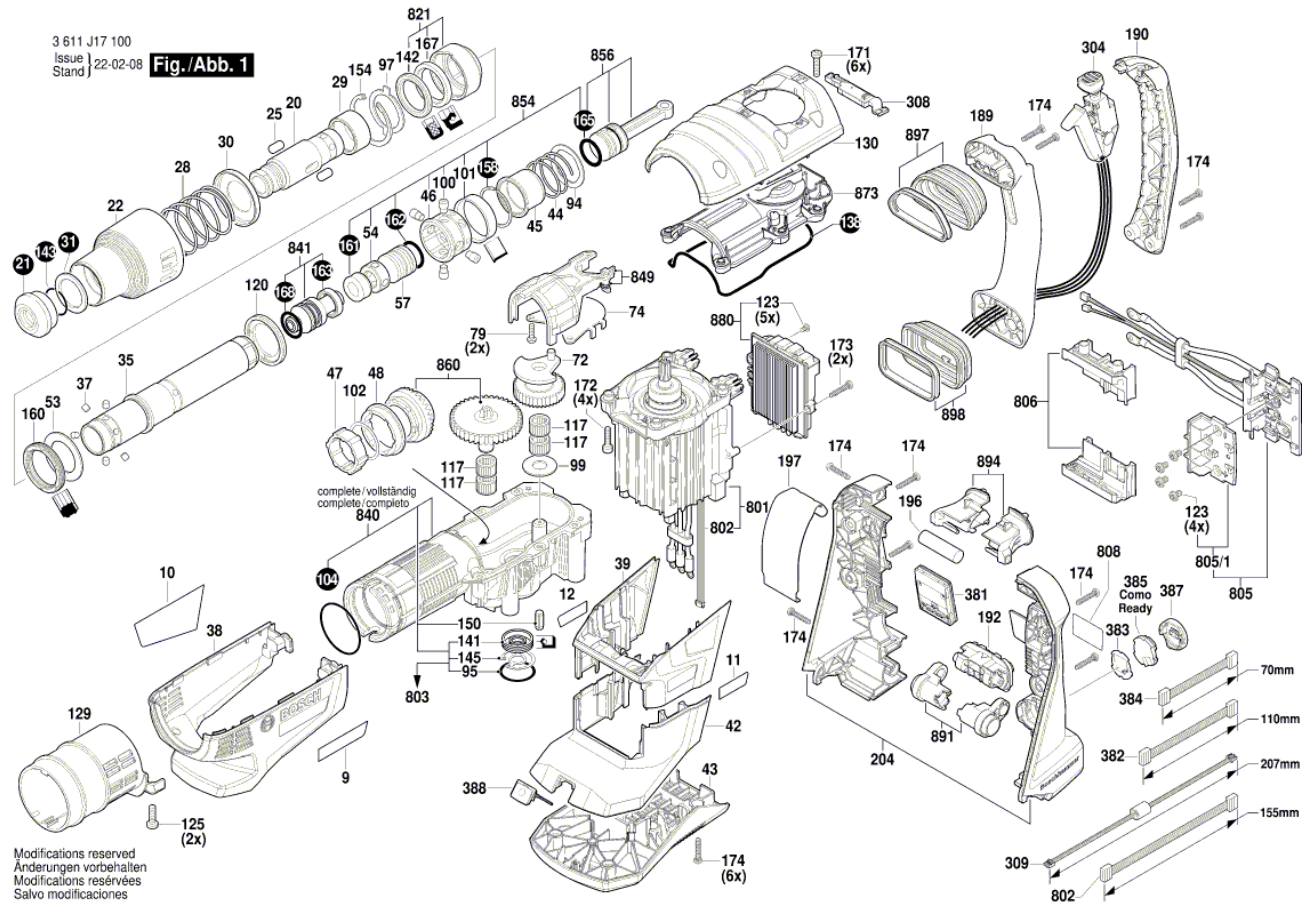
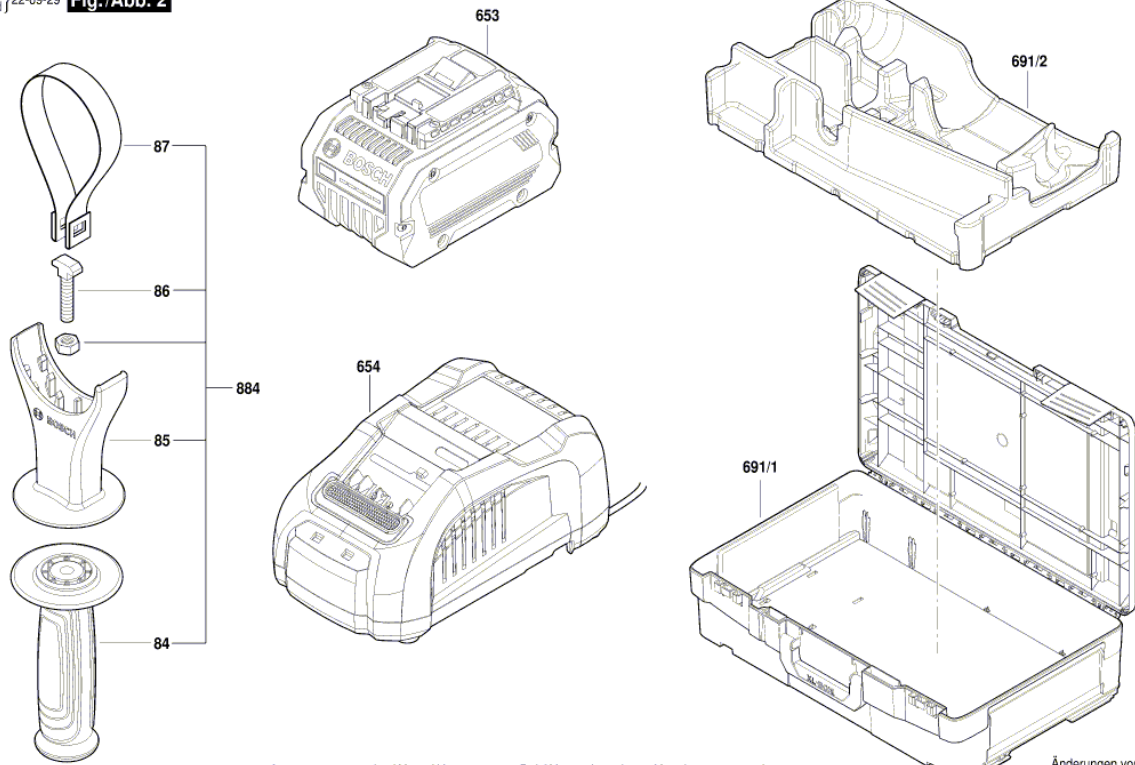


Illustration - Type - E

3 611 J17 100
 Issue | 22-09-29
 Stand | **Fig./Abb. 2**



Austrastmoment min. 6Nm - 8Nm
 Slipping point of clutch min. 6Nm - 8Nm
 Bei 6Nm und weniger - Kupplung ersetzen!
 By 6Nm and less - replace slipping clutch!

Änderungen vorbehalten
 Modifications reserved
 Modifications réservées
 Salvo modificaciones

Illustration - Type - E

3 611 J17 000
Issue
Stand | 22-02-08

Fig./Abb. 3

