



BOSCH

Cordless Hammer Drill

GBH 18V-45C | 3 611 J13 110

Table of Content

Spare parts list.....	2
Illustration - Type.....	6

Cordless Hammer Drill | GBH 18V-45C | 3 611 J13 110

Spare parts list

Item	Part Number	Description	Illustration
9	1 601 11C 377	Manufacturer's nameplate	1
10	1 601 11C 378	Warning Plate	1
14	1 610 910 096	Needle-Roller Bearing	1
21	1 610 508 038	Protective Cap	1
22	1 610 591 051	Protection Sleeve	1
23	1 610 520 006	Stop Sleeve	1
24	1 610 500 025	Headed Bush	1
25	1 612 300 027	Stopping Device	1
26	1 600 A01 9WL	Indexing Disk	1
28	1 614 621 010	Compression Spring	1
31	1 610 290 129	Damping Ring	1
35	1 615 806 249	Hammer Pipe	1
37	1 610 322 018	Control Bushing	1
38	1 615 190 177	Covering hood	1
43	1 600 A01 D7D	Fan Cover	1
44	1 614 621 020	Compression Spring	1
45	1 610 591 052	Holding-Down-Appliance	1
46	1 600 A01 S8V	Support Element	1
47	1 610 300 076	Gear Sleeve	1
48	1 619 990 177	Clutch Sleeve	1
52	1 610 224 015	Retaining snap ring	1
54	1 600 A01 9Z4	Spacer Tube	1
58	1 616 317 620	Cylindrical Gear	1
59	1 615 805 074	Bearing Pedestal	1
72	1 616 317 090	Eccentric Cog Wheel	1
94	1 610 290 111	Supporting Disc	1
95	1 613 120 023	Driving Pin	1
98	1 610 101 015	Shim ring 1,0 MM THICK	1
99	1 600 220 029	Backup ring	1
104	1 610 190 027	Stop Disc	1
116	1 610 913 029	Needle-Roller Assembly	1
117	1 610 913 023	Needle-Roller Assembly	1
119	1 610 910 081	Needle-Roller Bearing	1
120	1 610 190 080	Spacer Tube	1
122	1 610 290 128	Spacer Ring	1

Cordless Hammer Drill | GBH 18V-45C | 3 611 J13 110

Spare parts list

Item	Part Number	Description	Illustration
123	1 603 430 03T	Screw	1
124	2 603 490 022	Screw 4x16	1
125	1 613 435 040	Torx Oval-Head Screw	1
127	1 610 300 079	Bushing	1
129	1 610 300 080	Bushing	1
138	1 611 015 064	Sealing Frame	1
142	1 610 290 112	Rotary shaft lip seal	1
143	1 614 601 072	Retaining ring	1
144	1 610 103 025	Supporting Disc	1
151	1 610 210 222	O-Ring	1
152	1 614 601 073	Retaining ring	1
153	2 916 540 017	Retaining ring DIN 7993 A 30	1
154	2 916 660 027	Spring retaining ring DIN 472 62x2 MM	1
155	1 614 601 074	Retaining ring	1
157	1 610 210 103	O-Ring 33,0x2,0 MM	1
158	1 610 210 224	O-Ring	1
160	1 610 210 246	O-Ring	1
161	1 610 210 227	Damping Ring	1
162	1 600 210 080	O-Ring	1
165	1 610 290 125	Seal Ring	1
166	1 613 200 020	Cylindrical Roller	1
167	1 610 290 12A	Rotary shaft lip seal	1
168	1 610 206 027	Packing Washer	1
171	1 613 414 026	Torx socket button screw	1
172	1 613 435 041	Torx Oval-Head Screw	1
189	1 605 132 17Z	Handle	1
190	1 600 A01 5RL	Handle Cover	1
192	1 600 A01 5RV	Rocker Foot	1
196	1 600 A00 2PC	Damping rubber	1
197	1 601 200 00C	Leaf Spring	1
204	1 600 A01 A78	Rear Housing Section	1
206	1 612 386 006	Holding strip	1
240	1 600 A00 OK3	Counterweight	1
241	1 615 190 181	Guide Piece	1
242	1 615 190 182	Guide Piece	1

Spare parts list

Item	Part Number	Description	Illustration
243	1 614 621 013	Compression Spring	1
304	2 607 202 360	Switch	1
381	1 607 233 5EP	Electronic Module	1
382	1 607 503 566	Ribbon cable	1
383	1 600 A01 6CY	Electronics Module	1
384	1 607 503 567	Ribbon cable	1
385	1 600 A01 6ML	Cover Panel	1
387	1 600 A01 N8R	Cover unit	1
388	1 600 A01 P8Z	LED-Module	1
800	1 610 102 095	Shim 0,30 MM	1
800	1 610 102 096	Shim 0,45 MM	1
801	1 607 000 DN4	Brushless DC motor	1
802	1 600 A01 R8P	Ribbon cable	1
805	1 607 000 DN6	Contact retainer	1
805/1	1 607 000 DL8	Contact retainer	1
806	1 607 000 DF6	Rail	1
808	1 601 11A 3H5	Nameplate	1
820	1 618 597 102	Toolholder	1
821	1 610 508 058	Plain bearing	1
839	1 607 000 EX8	Motor Hood	1
840	1 617 000 A29	Impact Mechanism Housing	1
841	1 617 000 A4R	Striker Pin	1
849	1 617 000 A31	Control Fork	1
853	1 610 231 004	Guide Bushing	1
856	1 617 000 A32	Hammer Piston	1
857	1 617 000 A33	Striker	1
860	1 607 000 EL4	Spur Wheel Clutch	1
872	1 617 000 A35	Eccentric	1
873	1 617 000 A36	Housing Cover	1
880	1 607 000 DN5	Electronics Module	1
891	1 607 000 DF1	Rocker Arm	1
894	1 607 000 DF2	Screw Plate	1
895	1 607 000 DF3	Diaphragm	1
897	1 607 000 DF4	Boot	1
898	1 607 000 DF5	Boot	1

Spare parts list

Item	Part Number	Description	Illustration
84	1 602 025 07H	Auxiliary Handle	2
84	1 602 025 09C	Auxiliary Handle	2
85	1 618 040 095	Support clamp	2
87	1 617 000 807	Clamping Band Ø87 MM	2
653	1 607 A35 0CH	Battery Pack GBA18V80 8.0Ah ProCore SCM	2
653	1 607 A35 0CM	Battery Pack USA GBA18V120	2
654	2 607 225 927	Charger USA BC 1880 CV 13,3-18V/120V	2
654	2 607 226 325	Fast Charger USA GAL 18V-160 C 120V	2
884	1 607 031 2E7	Auxiliary Handle	2

Illustration - Type - E

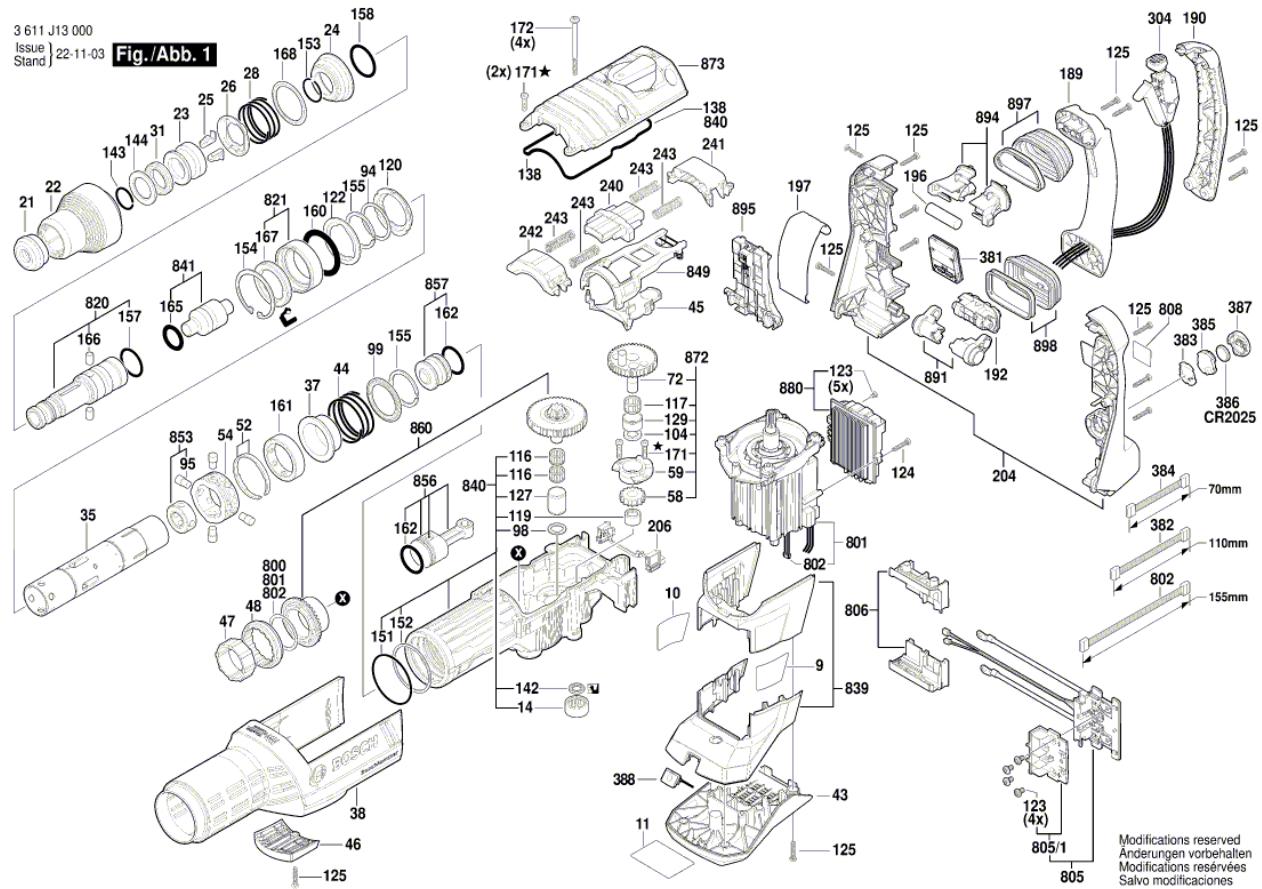
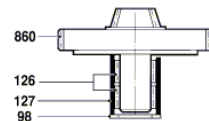
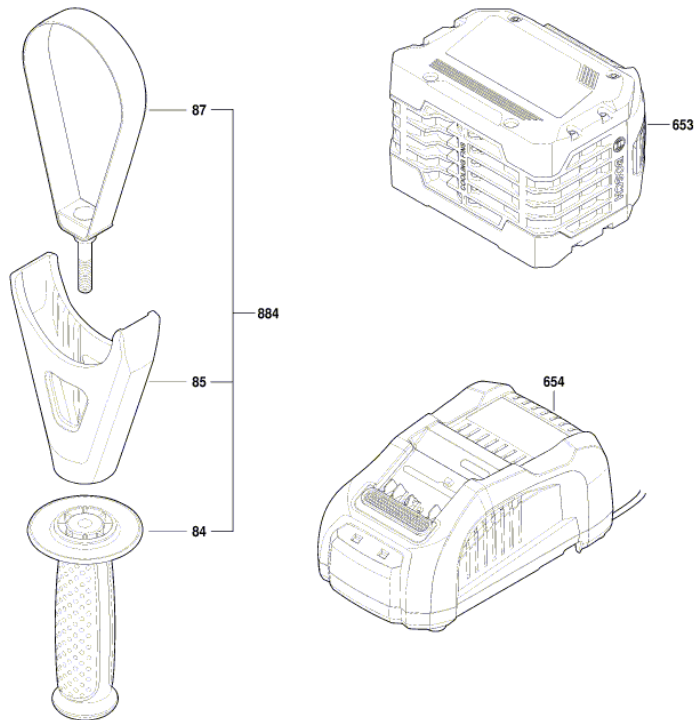


Illustration - Type - E

3 611 J13 000
 Issue 21-11-26
 Stand **Fig./Abb. 2**



Ausrastmoment Kupplung neu min. 13 Nm - 18 Nm
 Bei 11 Nm und weniger - Kupplung ersetzen!
 Slipping point of clutch new min. 13 Nm - 18 Nm
 By 11 Nm and less - replace slipping clutch!

Zahnspiel **fettfrei** messen: Spiel zwischen Pos.51 und Pos. 860
 = 0,05 - 0,27 mm / Ausgleich mit Pos. 101
 Measure gear play **grease free**: Play between pos. 51 and pos. 860
 = 0,05 - 0,27 mm / adjust with pos. 101

Anzugsmomente
 Torque values
 Couple de serrage
 Pares de apriete

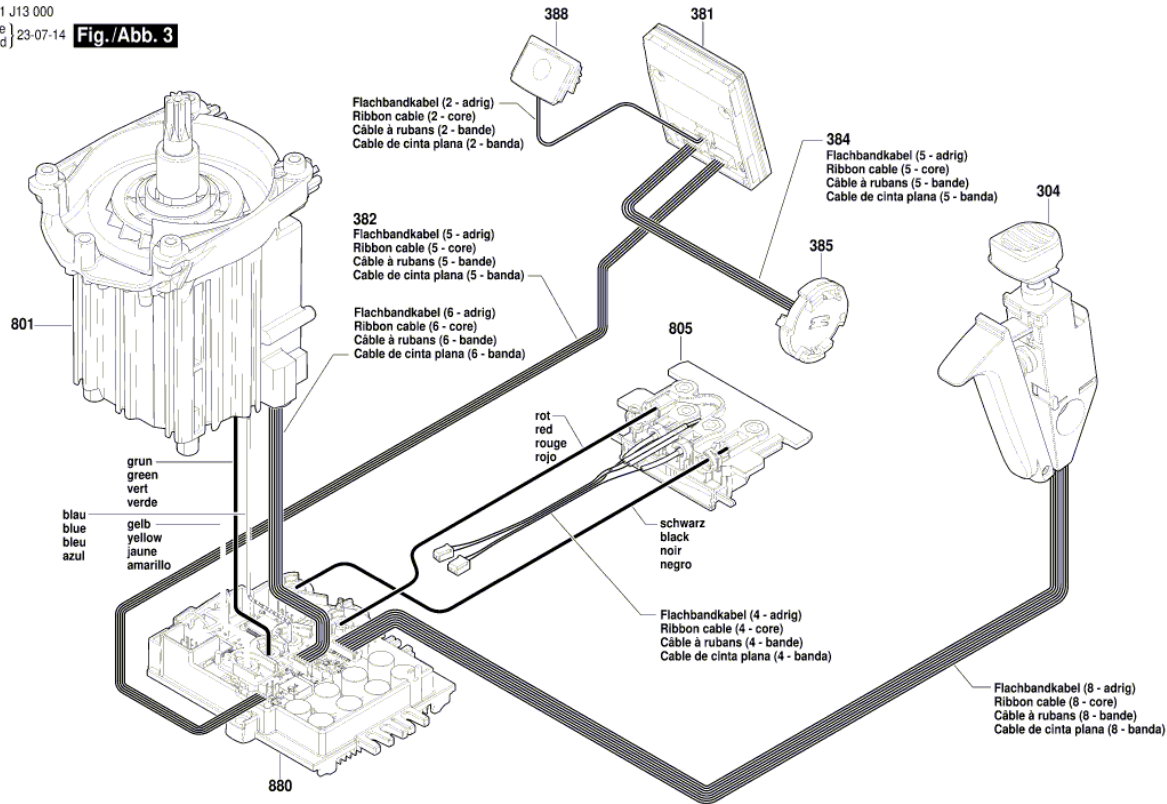
Pos. 84	= 3,0 - 4,0Nm
123	= 2,6 - 3,0Nm
124	= 1,9 - 2,5Nm
125	= 2,0 - 2,6Nm
171	= 3,0 - 4,5Nm
172	= 6,0 - 8,0Nm

Modifications reserved
 Änderungen vorbehalten
 Modifications réservées
 Salvo modificaciones

Illustration - Type - E

3 611 J13 000
Issue
Stand | 23-07-14

Fig./Abb. 3



Modifications reserved
Änderungen vorbehalten
Modifications réservées
Salvo modificaciones