



BOSCH

Rotary Hammer

GBH 2-20 RE | 3 611 B5A 380

Table of Content

Spare parts list.....	2
Illustration - Type.....	4

Rotary Hammer | GBH 2-20 RE | 3 611 B5A 380

Spare parts list

Item	Part Number	Description	
2	1 619 P08 306	Field	230V
3/3/6	2 606 610 097	Fan	
3/66	1 900 905 029	Ball Bearing	8x22x7
3/67	1 610 905 047	groove ball bearing	
3/68	1 600 100 037	Plain Washer	
4	1 617 200 542	Switch	
5	1 614 460 090	Power supply cord	CN 4,15m 2 x 1,0mm
		H07 RN-F	
6	2 600 703 018	Grommet	Ø7,3-Ø8,6x76 MM
7	1 611 035 007	Cable Clip	
12	1 617 328 032	Suppression Filter	
14	1 615 806 187	Bearing Bracket	
15	2 603 100 056	Damping rubber	
17	1 610 290 108	O-Ring	
19	1 610 210 184	O-Ring	22,0x2,5 MM
20	1 612 026 151	Clamp Handle	BLACK
20/2	1 614 690 009	Driver Pin	
20/3	1 612 026 035	Switch Button	RED
20/4	1 610 210 046	O-Ring	10,5x2,7 MM
20/5	1 614 611 006	Compression Spring	
26	1 618 700 083	Hammer Piston	
27	1 618 710 085	Striker	
29	1 613 100 034	Piston Pin	
37	1 610 100 016	Guide Disc	
45	1 611 016 003	Holding Plate	
47	1 619 P09 954	Plain bearing	
51	1 610 021 004	Shift Plate	
52	1 610 021 006	Shift Plate	
54	1 613 023 005	Guide Rod	
55	1 610 508 052	Protective Cap	
60	1 614 601 077	Spring retaining ring	
63	1 903 230 013	Ball	DIN 5401-Ø7MM-III-ST
65	1 619 P09 814	O-Ring	
69	1 613 231 030	Change-Over Switch	
71	2 603 490 023	Torx Oval-Head Screw	4x20

Rotary Hammer | GBH 2-20 RE | 3 611 B5A 380

Spare parts list

Item	Part Number	Description
72	1 619 P09 645	Torx Oval-Head Screw
73	1 619 P00 220	Torx Oval-Head Screw 3x10
74	1 619 P00 219	Tapping Screw
75	1 614 643 025	Compression Spring
77	1 619 P09 722	Shaft Seal
801	1 619 P10 313	Motor Housing
803	1 619 P09 817	Armature 220V
816	1 619 P01 777	Carbon-Brush Set
818	1 619 P09 616	Intermediate Flange
821	1 619 P09 617	Hammer Pipe
821/211	1 619 P09 815	Hammer Pipe
821/28	1 613 124 084	Striker Pin
821/31	1 619 P09 816	Retaining ring
821/32	1 610 508 051	Rubber Bushing
821/36	1 610 551 008	Holding Plate
821/38	1 616 317 084	Cylindrical Gear
821/39	1 614 601 055	Retaining ring
821/40	1 613 100 032	Straight Pin
821/41	1 610 102 072	Ratchet Disc
821/44	1 610 102 092	Friction Washer
821/46	1 614 630 003	Compression Spring
821/50	1 619 P11 562	Guide Bushing
824	1 619 P09 619	Jack Shaft
843	1 619 P09 620	Gear Housing
847	1 600 A00 13U	Plain bearing
856	1 617 000 6D3	Protection Sleeve
870	1 619 P01 776	Connecting Cable
651	1 613 001 009	Depth-Gauge SW 6x210 MM
822	1 602 025 08X	Auxiliary Handle
822/120	1 602 025 07H	Auxiliary Handle
822/124	1 611 316 021	Clamping Band Ø50 MM
822/125	1 613 490 002	T-Head Bolt M8x40 MM
822/802	1 617 000 475	Support clamp
892	1 615 430 020	Grease Tube 225 ML
893	1 615 430 001	Grease Tube 225 ML

Illustration - Type - E

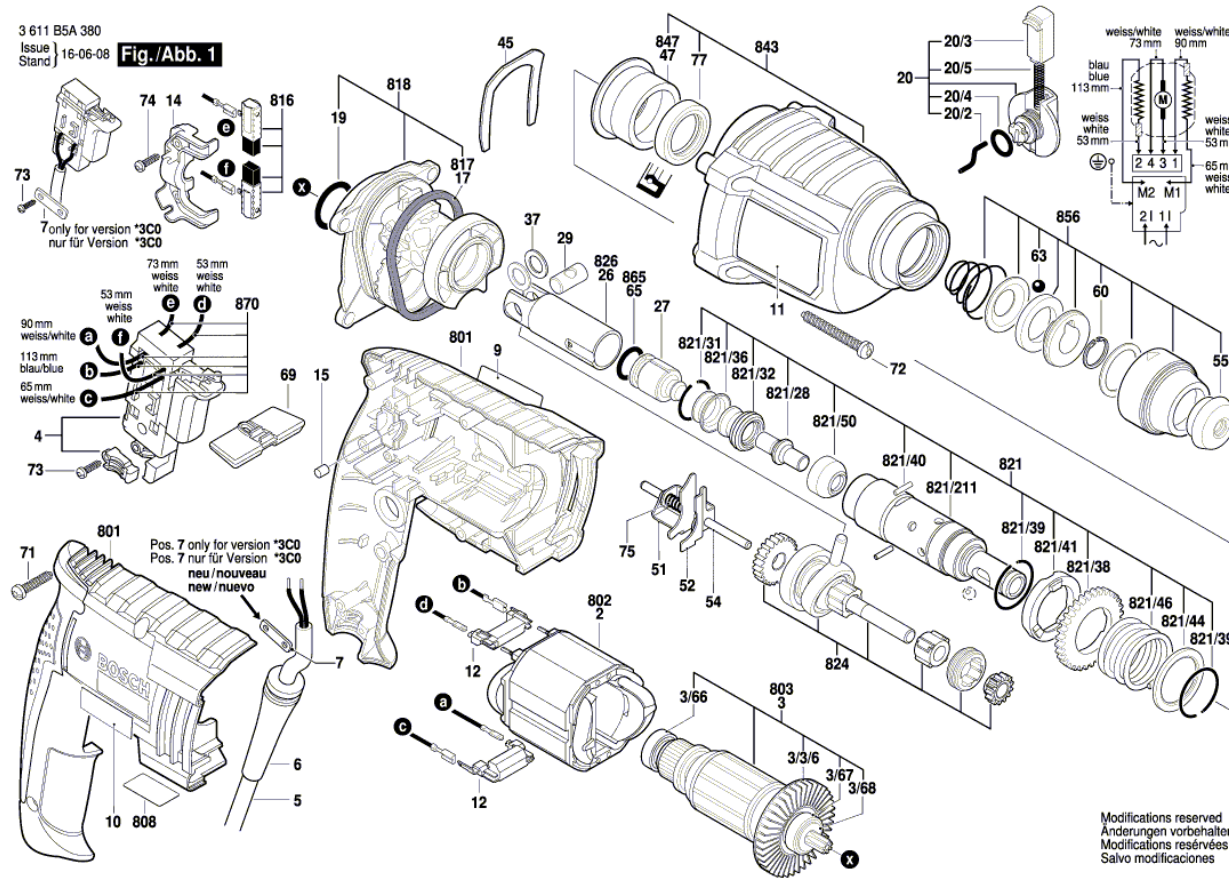
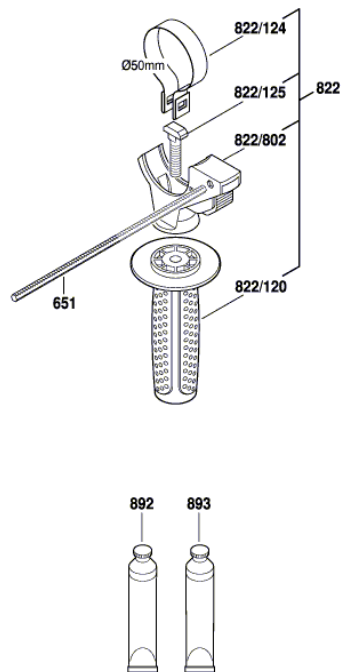


Illustration - Type - E

3 611 B5A 380
Issue | 14-04-16
Stand | **Fig./Abb. 2**



Modifications reserved
Änderungen vorbehalten
Modifications réservées
Salvo modificaciones