



BOSCH

Rotary Hammer

GBH 2-20 SRE | 0 611 234 743

Table of Content

Spare parts list.....	2
Illustration - Type.....	5

Spare parts list

Item	Part Number	Description		
1	1 615 108 112	Motor Housing	BLUE	
3/50	2 606 610 049	Fan		
4	1 617 200 070	Switch		
6	2 600 703 018	Grommet	Ø7,3-Ø8,6x76 MM	
7	1 611 035 005	Cable Clip		
10	1 611 110 X09	Manufacturer's nameplate		
12	1 607 328 040	Suppression Filter		
13	1 617 000 343	Brush Holder		
14	2 604 465 086	Suppression Filter	L=148 MM	BLACK
17	1 615 132 065	Housing Cover	BLUE	
18	1 610 522 008	Air-Deflector Ring		
20	1 615 700 037	Intermediate Flange		
21	1 616 490 058	Ratchet Sleeve	SDS-PLUS	
22	1 616 320 007	Cylindrical Gear	Z=46	
23	1 616 320 006	Cylindrical Gear	Z=6/21	
24	1 613 060 010	Toothed Shaft	Z=6/10	
26	1 618 700 052	Hammer Piston		
28	1 613 124 026	Striker Pin		
29	1 613 105 012	Piston Pin		
30	1 615 819 005	Drive bearing		
31	1 610 100 003	Support Disc	0,8 MM	THICK
32	1 612 026 023	Clamp Handle	BLACK	
34	1 610 508 008	Protective Cap	L=17 MM, SDS-PLUS	
35	1 610 206 021	Rubber Ring		
37	1 610 390 011	Damping Bushing		
38	1 610 102 022	Supporting Disc		
39	1 613 100 013	Straight Pin		
40	1 614 690 001	Holding Spring		
41	1 610 920 003	Roller-Cage Assembly		
44	1 614 633 001	Compression Spring		
45	1 614 614 001	Compression Spring		
48	1 614 431 023	Connecting Cable	L=90 MM	WHITE
49	2 604 448 005	Cable	L=130 MM	WHITE
54	1 610 210 068	O-Ring	24,0x2,5 MM	
55	1 610 206 023	Seal Ring		

Spare parts list

Item	Part Number	Description		
56	1 610 210 070	O-Ring	14,0x3,0 MM	
58	1 610 210 058	O-Ring	18,0x3,0 MM	
59	1 610 210 069	O-Ring	6,0x2,5 MM	
60	1 610 210 073	O-Ring	10,0x3,5 MM	
61	1 610 283 017	Rotary shaft lip seal		
62	1 619 P00 306	Needle-Roller Bearing		
64	1 610 905 025	groove ball bearing	7x19x6	
65	1 900 900 228	groove ball bearing	8x22x7	
66	1 610 301 000	Bushing	Ø30xØ37x15,7 MM	
67	1 610 910 064	Needle bearing		
70	1 903 230 013	Ball	DIN 5401-Ø7MM-III-ST	
71	1 610 101 011	Shim washer	1,2 MM	THICK
72	2 916 540 018	Retaining ring	DIN 7993-A32	
73	1 614 601 009	Retaining ring	DIN 9045-24	
76	1 619 P00 027	Torx Oval-Head Screw		
77	1 619 P00 106	Screw		
78	1 619 P00 105	Torx Oval-Head Screw	4x20	
79	1 619 P00 220	Torx Oval-Head Screw	3x10	
80	1 613 435 007	Thread-forming tap. Screw	DIN 7981-ST3,5x9,5-F	
81	2 603 410 001	Socket head cap screw	M3x6,5-4.8	
83	1 903 230 309	Ball	5 MM V DIN 5401	
87	2 916 540 012	Retaining ring	DIN 7993-A22	
94	1 613 120 017	Detent Pin		
102	2 604 465 097	Suppression Filter	L=126 MM	WHITE
103	1 614 448 017	Connecting Cable	L=55 MM	WHITE
802	2 604 220 429	Field	220-230V	
803	1 619 P00 125	Armature		
805	1 614 460 026	Power supply cord	EU 4,15m 2 x 1,0mm H07 RN-F	
808	1 619 P00 587	Nameplate		
813	1 617 014 134	Carbon-Brush Set		
816	1 615 806 077	Gear Housing	BLACK	
821	1 617 000 812	Ratchet Sleeve	SDS-PLUS	
827	1 617 000 338	Striker		
833	1 617 000 163	Protection Sleeve	SDS-PLUS	

Spare parts list

Item	Part Number	Description
863	1 610 905 048	groove ball bearing 9x24x7
890	2 607 200 231	Change-Over Switch
899	1 617 000 324	Impact Mechanism
700	1 617 000 132	Drill Chuck Shank SDS-PLUS
700/20	2 603 421 226	Countersunk-Head Screw M6x27 LEFTHAND THREADS
701	1 608 571 069	Chuck Ø1,5-13 MM, 1/2"
701/700	2 607 950 007	Chuck Wrench SG2
711	1 617 000 133	Parts Set
711/10/2	2 604 601 004	Retaining ring
711/20	1 608 521 004	Screwdriver Blade NR.2,1/4"
711/30	2 607 000 248	Screwdriver Bit 3 PIECE
711/40	1 608 511 020	Screwdriver Blade GR.1,0x6, 1/4"
791	1 615 438 146	Carrying Case
822	2 602 025 118	Auxiliary Handle Ø43 MM
822/120	1 612 025 019	Auxiliary Handle M8
822/124	1 611 316 006	Clamping Band Ø43 MM
822/125	1 613 490 002	T-Head Bolt M8x40 MM
822/802	2 608 040 176	Support clamp Ø43 MM
879	1 613 001 009	Depth-Gauge SW 6x210 MM

Illustration - Type - E

0 611 234 703; 738; 743
 Issue | 08-04-17
 Stand | **Fig./Abb. 1**

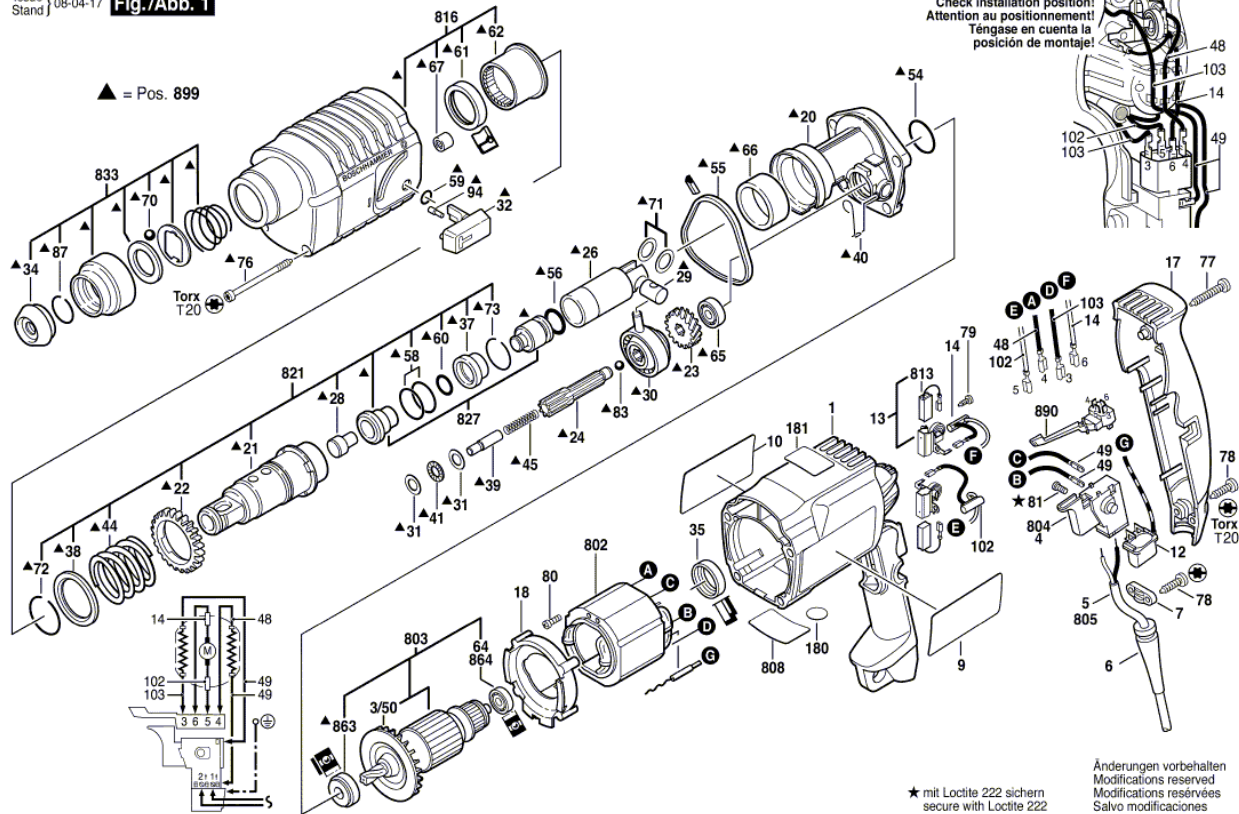
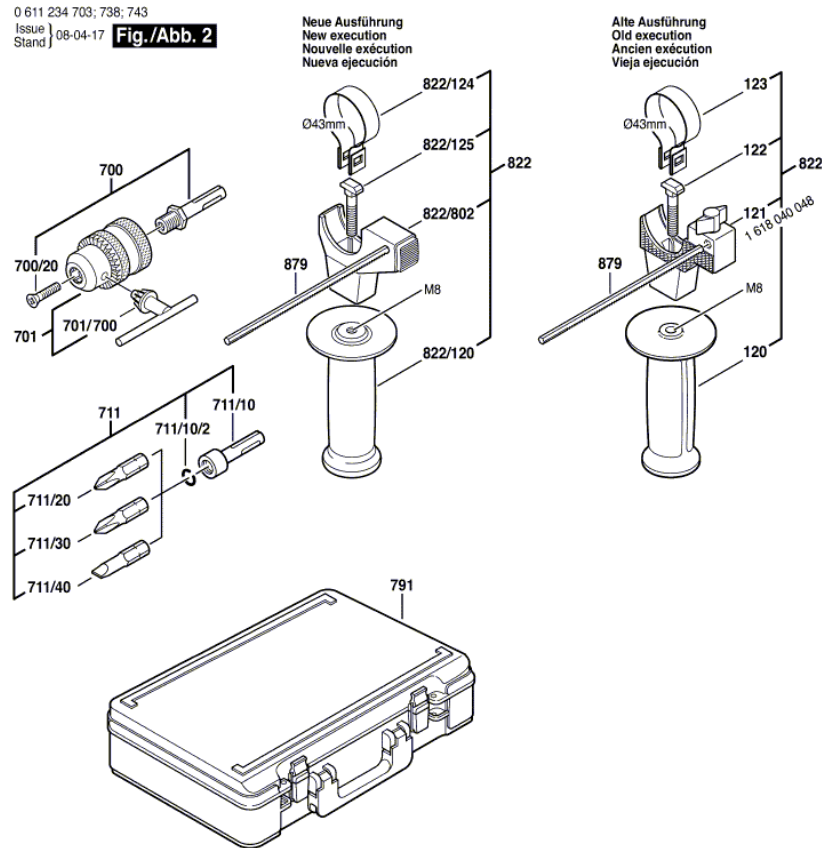


Illustration - Type - E



Änderungen vorbehalten
 Modifications reserved
 Modifications réservées
 Salvo modificaciones