



BOSCH

Rotary Hammer

GBH 2-22 E | 0 611 250 643

Table of Content

Spare parts list.....	2
Illustration - Type.....	5

Spare parts list

Item	Part Number	Description	
2	2 604 220 683	Field	220-230V
4	1 607 200 32D	Switch	
5	1 614 460 090	Power supply cord H07 RN-F	CN 4,15m 2 x 1,0mm
6	2 600 703 018	Grommet	Ø7,3-Ø8,6x76 MM
9	1 611 110 A82	Manufacturer's nameplate	
10	1 611 110 A79	Reference Plate	
16	1 614 336 058	Brush Plate	
17	1 614 465 011	Suppression Filter	
21	2 608 670 729	Ratchet Sleeve	
22	1 616 312 003	Cylindrical Gear	
26	1 617 000 534	Hammer Piston	
26/1	1 618 700 075	Hammer Piston	
27	1 618 710 080	Striker	
28	1 613 124 077	Striker Pin	Ø7,5 MM
29	1 613 105 012	Piston Pin	
34	1 610 190 067	Supporting Disc	
36	1 601 329 040	Tensioning Bracket	
38	1 610 190 045	Catch Disk	
41	1 619 P01 027	Housing Cover	BLUE
42	1 610 422 017	Backup ring	
44	1 610 508 047	Protective Cap	
45	1 610 522 012	Air-Deflector Ring	
48	1 601 021 005	Shift Plate	
49	1 615 700 044	End Shield	
50	1 604 611 037	Compression Spring	
54	1 610 502 012	Rubber Bushing	
55	1 610 290 226	Seal Ring	53,0x7,0 MM
56	1 616 B00 086	O-Ring	
57	1 610 210 068	O-Ring	24,0x2,5 MM
59	1 610 210 177	O-Ring	9,0x2,0 MM
64	1 619 P09 954	Plain bearing	
65	1 600 900 037	groove ball bearing	
66	1 610 202 020	Plain bearing	
67	2 600 910 006	Needle bearing	Ø7 MM

Spare parts list

Item	Part Number	Description
68	1 610 283 017	Rotary shaft lip seal
70	1 903 230 013	Ball DIN 5401-Ø7MM-III-ST
71	1 610 101 011	Shim washer 1,2 MM THICK
72	1 604 601 027	Retaining ring
73	1 614 601 057	Retaining ring
74	1 614 601 027	Retaining ring
75	1 610 101 629	Retaining Washer
76	1 603 430 00A	Thread-forming tap. Screw
77	2 603 490 024	Torx Oval-Head Screw 4x25
78	2 603 490 022	Screw 4x16
79	1 613 435 023	Thread-forming tap. Screw
87	2 916 540 012	Retaining ring DIN 7993-A22
94	1 610 205 010	Felt Seal
96	1 612 026 035	Switch Button RED
97	1 903 201 118	Needle Roller
98	1 610 210 046	O-Ring 10,5x2,7 MM
99	1 614 611 006	Compression Spring
101	1 614 449 014	Connecting Cable
102	1 614 449 015	Connecting Cable
190	1 611 110 X80	Manufacturer's nameplate
801	1 617 000 536	Motor Housing BLUE
803	1 617 000 524	Armature With Fan 220-230V
808	1 601 11A 3H5	Nameplate
811	1 617 000 525	Carbon-Brush Set
813	1 610 905 025	groove ball bearing 7x19x6
814	1 610 905 048	groove ball bearing 9x24x7
820	1 617 000 526	Intermediate Flange
821	1 617 000 578	Ratchet Sleeve Ø7,5 MM SDS-PLUS
824	1 617 000 892	Toothed Shaft
832	1 617 000 529	Guide Sleeve
835	1 616 610 093	Fan
840	1 617 000 530	Gear Housing BLACK
843	1 617 000 531	Protection Sleeve BLACK
846	1 612 026 097	Clamp Handle BLACK

Spare parts list

Item	Part Number	Description		
880	2 603 435 015	Cross Recessed-Head Screw	DIN 7981-	ST3,5x9,5-F
651	1 613 001 009	Depth-Gauge	SW 6x210 MM	
691/895	1 615 438 409	Lock	for 1 615 438 486+...358+...367	
691/895	1 615 438 431	Lock	for 1 615 438 429 + 1 615 438 430	
822	2 602 025 118	Auxiliary Handle	Ø43 MM	
822/120	1 612 025 019	Auxiliary Handle	M8	
822/124	1 611 316 006	Clamping Band	Ø43 MM	
822/125	1 613 490 002	T-Head Bolt	M8x40 MM	
822/802	2 608 040 175	Support clamp		
870	1 617 000 154	Drill Chuck Shank	1/2"	SDS-PLUS
870/2	2 603 421 207	Countersunk-Head Screw	M6x27-KØ11	
		LEFTHAND THREADS		
871	1 608 571 088	Chuck		
872	2 607 950 007	Chuck Wrench	SG2	

Illustration - Type - E

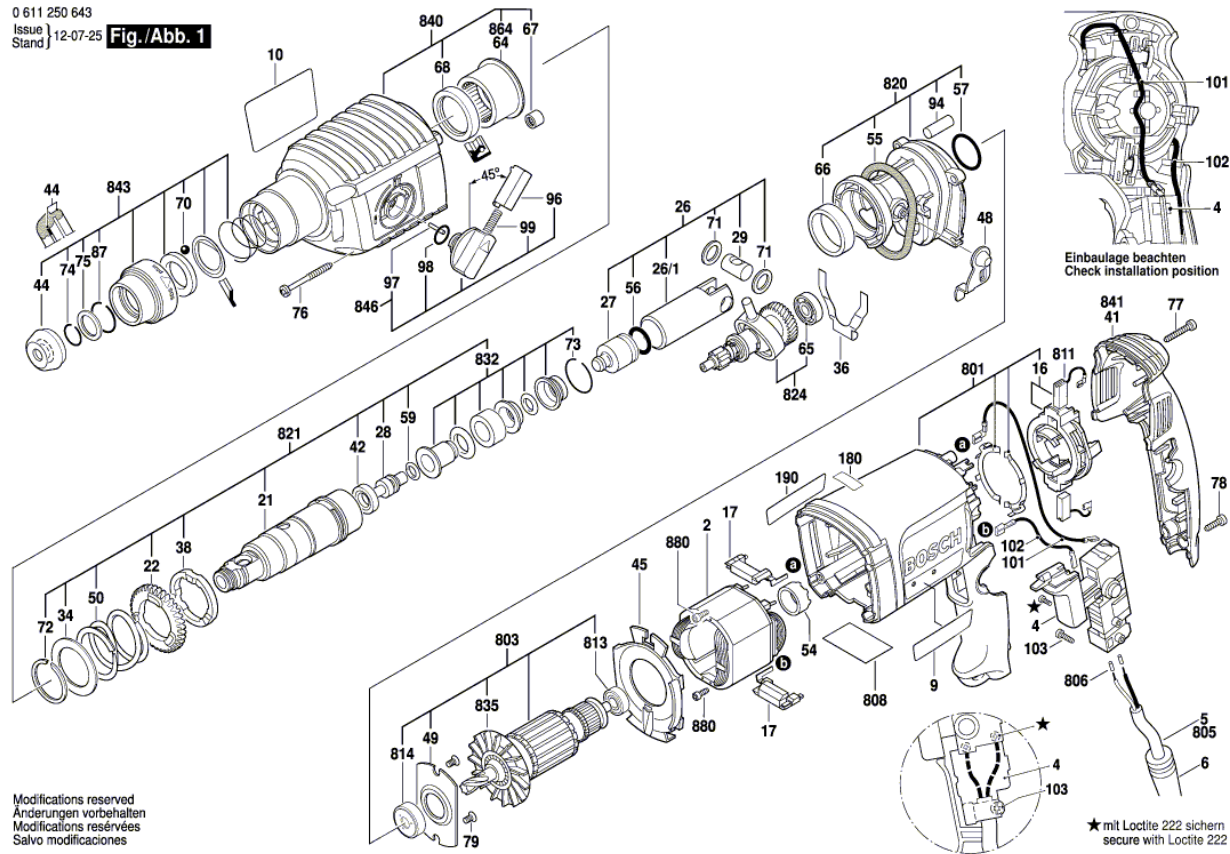


Illustration - Type - E

