



BOSCH

Rotary Hammer

GBH 2-23 REA | 3 611 B50 580

Table of Content

Spare parts list.....	2
Illustration - Type.....	5

Spare parts list

Item	Part Number	Description
2	1 619 P02 042	Field 230V
4	1 607 200 32D	Switch
5	1 614 460 090	Power supply cord CN 4,15m 2 x 1,0mm H07 RN-F
6	2 600 703 018	Grommet Ø7,3-Ø8,6x76 MM
9	1 619 P31 077	Manufacturer's nameplate
10	1 619 P02 477	Reference Plate
13	1 610 905 032	groove ball bearing 7x19x6
16	1 619 P16 871	Brush Plate
17	1 614 465 011	Suppression Filter
21	2 608 670 730	Ratchet Sleeve
22	1 616 312 003	Cylindrical Gear
26	1 618 700 075	Hammer Piston
27	1 618 710 080	Striker
28	1 613 124 077	Striker Pin Ø7,5 MM
29	1 613 105 012	Piston Pin
34	1 610 190 067	Supporting Disc
36	1 601 329 040	Tensioning Bracket
38	1 610 190 045	Catch Disk
41	1 615 500 334	Housing Cover BLUE
42	1 610 422 017	Backup ring
44	1 610 508 047	Protective Cap
45	1 610 522 012	Air-Deflector Ring
48	1 601 021 005	Shift Plate
50	1 604 611 037	Compression Spring
54	1 610 502 012	Rubber Bushing
55	1 610 290 079	Seal Ring 53,0x7,0 MM
56	1 616 B00 086	O-Ring
57	1 610 210 068	O-Ring 24,0x2,5 MM
59	1 610 210 177	O-Ring 9,0x2,0 MM
64	1 619 P09 954	Plain bearing
65	1 600 900 037	groove ball bearing
66	1 610 202 020	Plain bearing
67	1 610 913 019	Needle bearing Ø7 MM
68	1 610 283 017	Rotary shaft lip seal

Spare parts list

Item	Part Number	Description
70	1 903 230 013	Ball DIN 5401-Ø7MM-III-ST
71	1 610 101 011	Shim washer 1,2 MM THICK
72	1 604 601 027	Retaining ring
73	1 614 601 057	Retaining ring
74	1 614 601 027	Retaining ring
75	1 610 101 629	Retaining Washer
76	1 619 P02 043	Screw
77	1 619 P00 106	Screw
79	1 613 435 023	Thread-forming tap. Screw
80	1 613 435 007	Thread-forming tap. Screw DIN 7981-ST3,5x9,5-F
87	2 916 540 012	Retaining ring DIN 7993-A22
94	1 610 205 010	Felt Seal
96	1 612 026 035	Switch Button RED
97	1 903 201 118	Needle Roller
98	1 610 210 046	O-Ring 10,5x2,7 MM
99	1 614 611 006	Compression Spring
101	1 614 449 014	Connecting Cable
102	1 614 449 015	Connecting Cable
190	1 619 P31 078	Manufacturer's nameplate
801	1 617 000 523	Motor Housing BLUE
803	1 619 P06 110	Armature With Fan 230V
806	1 900 452 012	End Splice DIN 46 228-A1-6
808	1 619 P04 489	Nameplate
811	1 617 000 525	Carbon-Brush Set 220 V / 127 V
814	1 610 905 048	groove ball bearing 9x24x7
820	1 617 000 526	Intermediate Flange
821	1 619 P06 111	Ratchet Sleeve
824	1 617 000 892	Toothed Shaft
826	1 617 000 534	Hammer Piston
832	1 617 000 529	Guide Sleeve
840	1 619 P06 112	Gear Housing
843	1 617 000 531	Protection Sleeve BLACK
846	1 612 026 097	Clamp Handle BLACK
651	1 619 P04 548	Friction Ring 5 PIECE

Spare parts list

Item	Part Number	Description
691/895	1 619 P06 200	Lock
822	1 619 P06 104	Auxiliary Handle
850	1 618 190 014	Intake manifold module
850/14	1 619 P02 029	Housing
850/16	1 619 P02 031	Sealing Block
850/24	1 619 P04 479	Filter
851	1 619 P06 107	Dust Cap
851/3	1 619 P02 020	Sealing cap
852	1 619 P06 052	Guide Bar
853	1 619 P06 106	Cross-Connector
854	1 619 P06 105	Dust container
855	1 619 P06 103	Connection Part
856	1 619 P06 051	Button
870	1 613 523 011	Drill Chuck Shank 1/2", SDS-Plus
870/2	2 603 421 207	Countersunk-Head Screw M6x27-KØ11 LEFTHAND THREADS
871	1 608 571 069	Chuck Ø1,5-13 MM, 1/2"
872	2 607 950 007	Chuck Wrench SG2

Illustration - Type - E

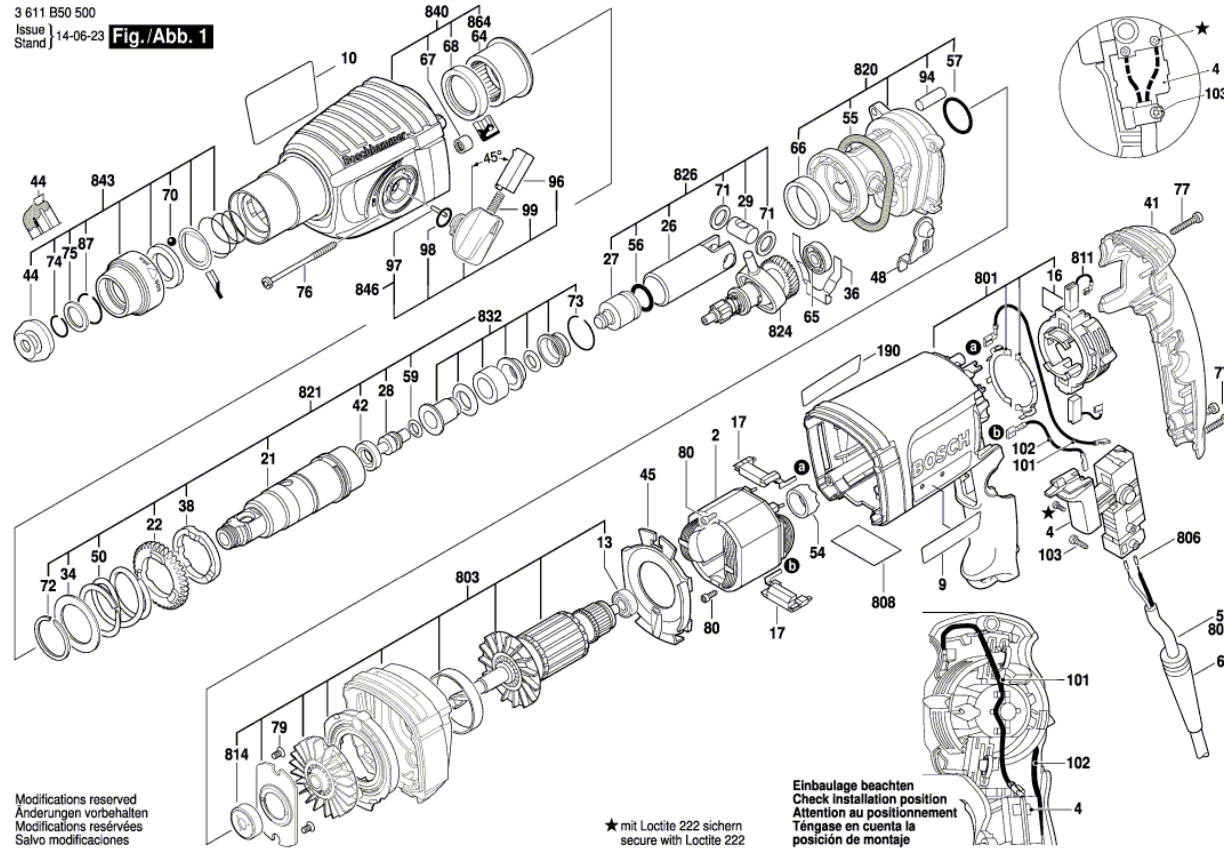


Illustration - Type - E

