



**BOSCH**

# Rotary Hammer

GBH 2-26 DE | 0 611 253 643

---

## Table of Content

Spare parts list.....	2
Illustration - Type.....	5

Spare parts list

Item	Part Number	Description
2	1 619 P02 428	Field 1619P02428
3/13	1 610 905 025	groove ball bearing 7x19x6
3/5	1 616 610 094	Fan
4	1 607 200 32D	Switch
4/102	1 614 449 015	Connecting Cable
5	1 614 460 090	Power supply cord CN 4,15m 2 x 1,0mm H07 RN-F
6	1 600 703 034	Grommet Ø7,3-Ø8,6x66 MM
9	1 611 110 X57	Manufacturer's nameplate GBH 2-26 DE
10	1 611 110 X58	Manufacturer's nameplate GBH 2-26 DE
11	1 611 110 X17	Reference Plate
14	1 619 P15 694	Ball Bearing
16	1 614 336 058	Brush Plate
17	1 614 465 011	Suppression Filter
19	1 611 329 024	Switch Contact
22	1 616 312 004	Cylindrical Gear
27	1 610 311 018	Striker
28	1 613 124 081	Striker Pin
29	1 613 105 012	Piston Pin
31	1 610 913 016	Needle-Roller Assembly
32	1 612 026 157	Clamp Handle BLACK
32/46	1 614 690 002	Driver Pin
32/49	1 612 026 035	Switch Button RED
32/76	1 610 210 046	O-Ring 10,5x2,7 MM
32/83	1 614 611 006	Compression Spring
33	1 610 590 014	Holding Jacket
34	1 610 190 067	Supporting Disc
35	1 610 202 024	Plain bearing
36	1 611 016 003	Holding Plate
37	1 613 100 019	Straight Pin DIN6325-2,5x12-RIKO
38	1 610 190 048	Catch Disk
41	1 615 500 344	Housing Cover
42	1 610 102 073	Thrust Ring
44	1 610 508 047	Protective Cap
45	1 619 P09 825	Air-Deflector Ring

## Spare parts list

Item	Part Number	Description
46	2 608 670 714	Guide Bushing
47	1 613 100 030	Needle Roller
48	1 611 098 008	Tab Washer
49	1 615 700 044	End Shield
50	1 614 611 020	Compression Spring
54	1 610 502 016	Rubber Bushing
55	1 610 290 079	Seal Ring 53,0x7,0 MM
56	1 616 B00 086	O-Ring
57	1 610 210 068	O-Ring 24,0x2,5 MM
58	1 610 210 178	O-Ring
59	1 610 283 035	Rotary shaft lip seal
60	1 610 210 176	O-Ring 9,0x3,5 MM
62	1 610 210 179	O-Ring
63	1 610 910 063	Needle bearing Ø30xØ37x12 MM
64/1	1 610 190 060	Supporting Disc
66	1 610 202 021	Plain bearing
68	1 610 283 036	Rotary shaft lip seal
70	1 903 230 013	Ball DIN 5401-Ø7MM-III-ST
71	1 610 101 011	Shim washer 1,2 MM THICK
72	1 604 601 027	Retaining ring
74	1 614 601 027	Retaining ring
75	1 610 101 629	Retaining Washer
76	1 603 430 00A	Thread-forming tap. Screw
77	2 603 490 024	Torx Oval-Head Screw 4x25
78	2 603 490 022	Screw 4x16
79	1 613 435 023	Thread-forming tap. Screw
80	1 613 435 043	Screw
82	1 614 601 034	Retaining ring
83	1 604 601 028	Retaining ring A22 DIN 7993
87	2 916 540 012	Retaining ring DIN 7993-A22
101	1 614 449 014	Connecting Cable
105	1 614 611 021	Compression Spring
801	1 617 000 V67	Motor Housing BLUE
803	1 619 P00 349	Armature set 1619P02709
808	1 601 11A 3H5	Nameplate

**Spare parts list**

<b>Item</b>	<b>Part Number</b>	<b>Description</b>	
811	1 617 000 525	Carbon-Brush Set	
820	1 617 000 6DX	Intermediate Flange	
821	1 617 000 564	Pipe	
823	1 617 000 579	Toothed Shaft	
824	1 617 000 6EJ	Toothed Shaft	
825	1 617 000 598	Tool Holding Fixture	
826	1 600 A01 U34	Hammer Piston	
830	1 600 A01 U33	Drive bearing	
840	1 617 000 581	Gear Housing	
843	1 617 000 582	Protection Sleeve	
861	1 615 820 097	Switching Element	
864	1 617 000 A07	Supporting Disc	
866	1 614 611 022	Plain bearing	
651	1 613 001 009	Depth-Gauge	SW 6x210 MM
691/895	1 615 438 409	Lock	for 1 615 438 486+...358+...367
691/895	1 615 438 426	Lock	for 1 615 438 395
691/895	1 615 438 431	Lock	for 1 615 438 429 + 1 615 438 430
822	1 602 025 08X	Auxiliary Handle	
822/120	1 602 025 07H	Auxiliary Handle	
822/124	1 611 316 021	Clamping Band	Ø50 MM
822/125	1 613 490 002	T-Head Bolt	M8x40 MM
822/802	1 617 000 475	Support clamp	
870	1 613 523 011	Drill Chuck Shank	1/2", SDS-Plus
870/2	2 603 421 207	Countersunk-Head Screw LEFTHAND THREADS	M6x27-KØ11
871	1 608 571 088	Chuck	
872	2 607 950 007	Chuck Wrench	SG2
892	1 615 430 001	Grease Tube	225 ML
893	1 615 430 002	Grease Tube	225 ML
894	1 615 430 020	Grease Tube	225 ML
895	1 615 430 019	Oil Reservoir	1000 ML

Illustration - Type - E

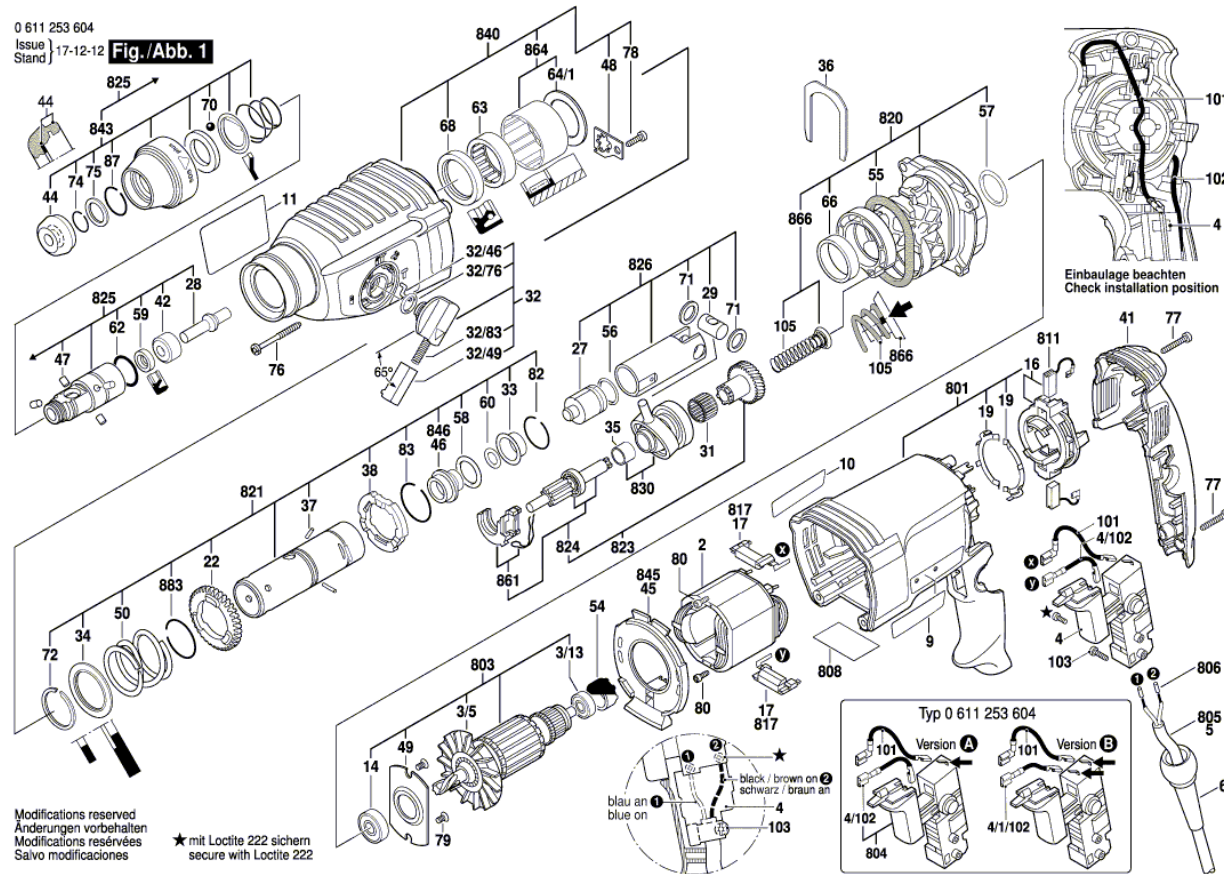
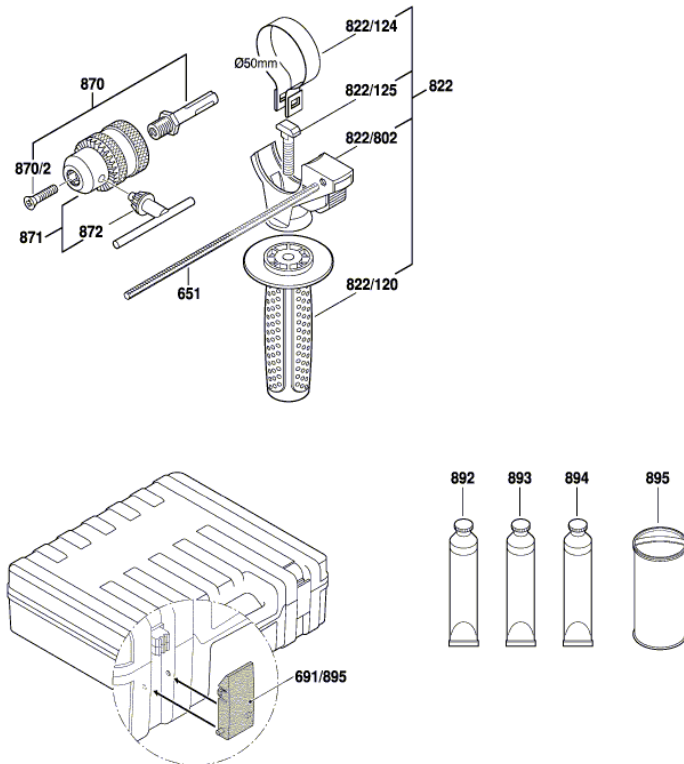


Illustration - Type - E

0 611 253 604  
Issue  
Stand | 14-10-29 **Fig./Abb. 2**



Modifications reserved  
Änderungen vorbehalten  
Modifications réservées  
Salvo modificaciones