



BOSCH

Rotary Hammer

GBH 2-28 DFV | 3 611 B67 283

Table of Content

Spare parts list.....	2
Illustration - Type.....	5

Spare parts list

Item	Part Number	Description
2	1 619 P11 940	Field 220V
4/102	1 614 449 015	Connecting Cable
4/103	1 613 435 034	Lens Head Screw 3x10 ST
4/4	1 607 200 32D	Switch
4/5	1 614 460 090	Power supply cord H07 RN-F CN 4,15m 2 x 1,0mm
4/6	1 600 703 034	Grommet Ø7,3-Ø8,6x66 MM
12	1 614 465 011	Suppression Filter
13	1 610 905 032	groove ball bearing 7x19x6
14	1 610 905 048	groove ball bearing 9x24x7
16	1 619 P16 871	Brush Plate
19	1 616 B10 337	Switch Contact
24	1 617 000 6EJ	Toothed Shaft
24/65	1 610 905 016	groove ball bearing
26	1 617 000 6A5	Hammer Piston
26/27	1 619 P16 681	Striker
26/29	1 600 A01 TD0	Piston Pin
26/56	1 610 210 121	O-Ring 17,0x3,0 MM GREEN
26/71	1 610 100 016	Guide Disc
32	1 619 P12 076	Clamp Handle
32/46	1 619 P09 571	Driver Pin
32/49	1 612 026 035	Switch Button RED
32/76	1 610 210 046	O-Ring 10,5x2,7 MM
32/83	1 614 611 006	Compression Spring
36	1 615 808 106	Bearing Holder
41	1 615 500 428	Housing Cover
45	1 610 522 015	Air-Deflector Ring
47	1 616 312 010	Control Element
49	1 615 700 044	End Shield
54	1 610 502 016	Rubber Bushing
55	1 619 P18 144	O-Ring
57	1 610 210 208	O-Ring 24,0x2,0 MM
76	1 613 435 022	Thread-forming tap. Screw
77	2 603 490 024	Torx Oval-Head Screw 4x25
79	1 619 P07 062	Thread-Forming Screw

Spare parts list

Item	Part Number	Description	
80	2 914 201 483	Torx Oval-Head Screw	
96	1 614 601 046	Retaining ring	
101	1 614 449 014	Connecting Cable	
105	1 614 643 027	Compression Spring	
106	1 610 590 024	Protective Sleeve	
109	1 613 435 014	Torx Oval-Head Screw SILVER	M5x16-TORX,T25
321	1 617 000 6BV	Toolholder	
321/22	1 616 312 004	Cylindrical Gear	
321/28	1 613 124 097	Striker Pin	
321/33	1 610 590 020	Holding Jacket	
321/34	1 610 190 067	Supporting Disc	
321/37	1 613 100 019	Straight Pin	DIN6325-2,5x12-RIKO
321/38	1 600 A00 8AG	Catch Disk	
321/42	1 610 102 084	Thrust Ring	
321/46	1 610 390 068	Guide Bushing	
321/50	1 614 615 008	Compression Spring	
321/58	1 610 210 105	O-Ring	18,0x3,5 MM
321/59	1 600 A00 9VC	Shaft Seal	
321/60	1 610 210 209	O-Ring	9,5x3,5 MM
321/72	1 604 601 027	Retaining ring	
321/86	1 614 601 034	Retaining ring	
321/87	1 604 601 028	Retaining ring	A22 DIN 7993
340	1 617 000 6BY	Gear Housing	
340/39	1 605 500 2CF	Cover	
340/48	1 611 098 008	Tab Washer	
340/63	1 610 910 063	Needle bearing	Ø30xØ37x12 MM
340/64	1 610 390 069	Bushing	
340/68	1 610 283 036	Rotary shaft lip seal	
340/78	2 603 490 022	Screw	4x16
390/89	1 600 A00 NC8	Guide Sleeve	
390/90	1 610 590 016	Collar Sleeve	
390/91	1 610 200 025	Backup ring	
390/95	1 614 643 016	Compression Spring	
390/97	1 614 601 047	Retaining ring	

Spare parts list

Item	Part Number	Description
656	1 600 A01 V5D	Keyless Chuck
656/217	2 603 421 229	Countersunk-Head Screw M6x23 LEFTHAND THREADS
801	1 617 000 6BS	Motor Housing
803	1 619 P12 113	Armature set 220V
811	1 607 000 485	Carbon-Brush Set 10 x 1 617 000 525
811	1 617 000 525	Carbon-Brush Set 220 V / 127 V
820	1 617 000 6BT	Intermediate Flange
821	1 617 000 6BU	Tool Holding Fixture
823	1 617 000 6BW	Gear Sleeve
825	1 617 000 895	Tool Holding Fixture
825/203	1 610 508 047	Protective Cap
828	1 617 000 6A7	Striker Pin
830	1 617 000 6BX	Drive bearing
861	1 615 820 097	Switching Element
890	1 617 000 V41	Guide Sleeve
891	1 617 000 6BZ	Weight
120	1 602 025 07H	Auxiliary Handle
121	1 617 000 475	Support clamp
124	1 611 316 021	Clamping Band Ø50 MM
125	1 613 490 002	T-Head Bolt M8x40 MM
688	1 613 001 009	Depth-Gauge SW 6x210 MM
822	1 602 025 08X	Auxiliary Handle
895	1 615 438 431	Lock for 1 615 438 429 + 1 615 438 430
896	1 615 430 001	Grease Tube 225 ML
897	1 615 430 002	Grease Tube 225 ML

Illustration - Type - E

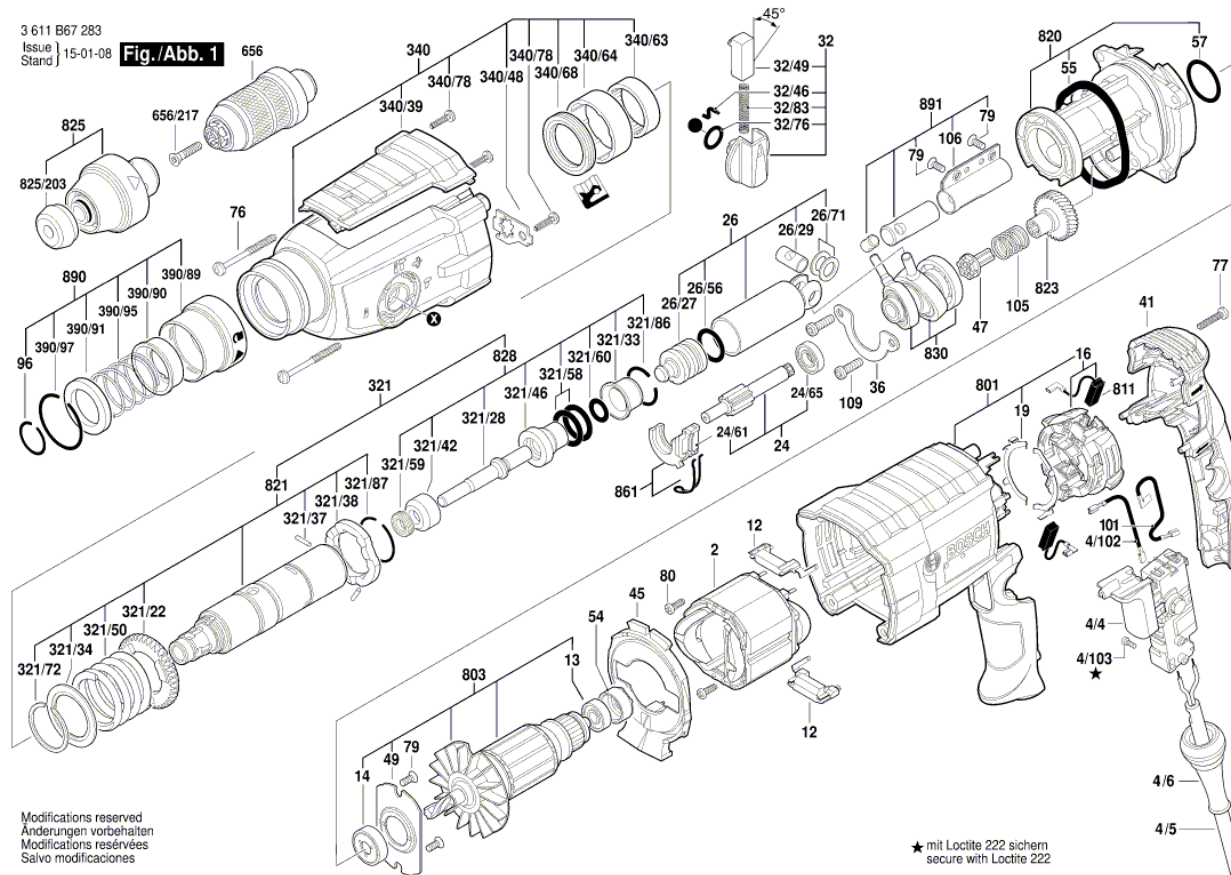
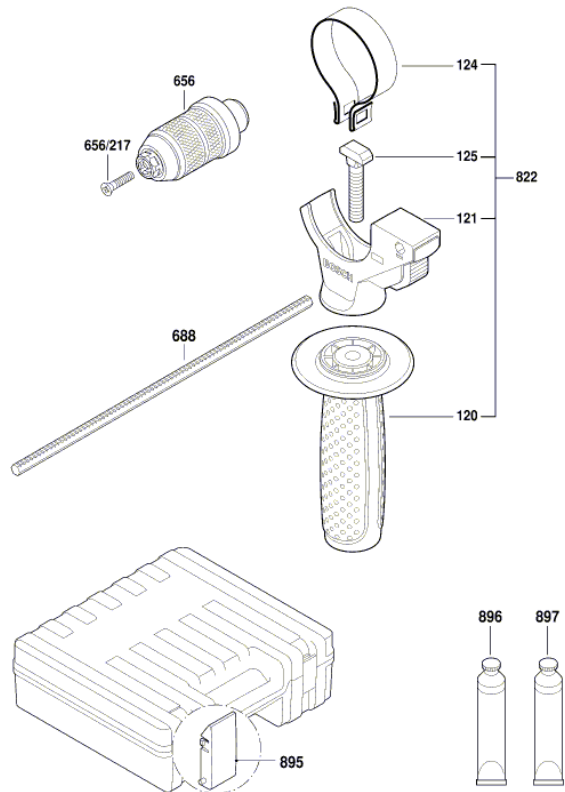


Illustration - Type - E

3 611 B67 283
Issue |
Stand | 15-01-08 **Fig./Abb. 2**



Modifications reserved
Änderungen vorbehalten
Modifications réservées
Salvo modificaciones