



BOSCH

Rotary Hammer

GBH 2200 | 3 611 B50 181

Table of Content

Spare parts list.....	2
Illustration - Type.....	4

Spare parts list

Item	Part Number	Description
2	2 604 220 683	Field 220-230V
4	1 607 200 32D	Switch
5	1 614 460 090	Power supply cord H07 RN-F CN 4,15m 2 x 1,0mm
6	2 600 703 018	Grommet Ø7,3-Ø8,6x76 MM
7	1 611 035 005	Cable Clip
14	1 610 905 048	groove ball bearing 9x24x7
16	1 619 P16 871	Brush Plate
17	1 614 465 011	Suppression Filter
21	2 608 670 729	Ratchet Sleeve
22	1 616 312 003	Cylindrical Gear
26	1 617 000 534	Hammer Piston
26/1	1 618 700 075	Hammer Piston
27	1 618 710 080	Striker
28	1 613 124 077	Striker Pin Ø7,5 MM
29	1 613 105 012	Piston Pin
34	1 610 190 067	Supporting Disc
36	1 601 329 040	Tensioning Bracket
38	1 610 190 045	Catch Disk
41	1 619 P01 028	Housing Cover
42	1 610 422 017	Backup ring
44	1 610 508 047	Protective Cap
45	1 610 522 012	Air-Deflector Ring
49	1 615 700 044	End Shield
50	1 604 611 037	Compression Spring
54	1 610 502 012	Rubber Bushing
55	1 610 290 226	Seal Ring 53,0x7,0 MM
56	1 616 B00 086	O-Ring
57	1 610 210 068	O-Ring 24,0x2,5 MM
59	1 610 210 177	O-Ring 9,0x2,0 MM
64	1 619 P09 954	Plain bearing
65	1 600 900 037	groove ball bearing
66	1 610 202 020	Plain bearing
67	2 600 910 006	Needle bearing Ø7 MM
68	1 610 283 017	Rotary shaft lip seal

Spare parts list

Item	Part Number	Description
70	1 903 230 013	Ball DIN 5401-Ø7MM-III-ST
71	1 610 101 011	Shim washer 1,2 MM THICK
72	1 604 601 027	Retaining ring
73	1 614 601 057	Retaining ring
74	1 614 601 027	Retaining ring
75	1 610 101 629	Retaining Washer
76	1 613 435 022	Thread-forming tap. Screw
77	2 603 490 024	Torx Oval-Head Screw 4x25
78	2 603 490 022	Screw 4x16
79	1 613 435 023	Thread-forming tap. Screw
87	2 916 540 012	Retaining ring DIN 7993-A22
94	1 610 205 010	Felt Seal
95	1 619 P07 980	Cover
101	1 619 P08 933	Connecting Cable
102	1 619 P08 934	Connecting Cable
801	1 617 000 523	Motor Housing BLUE
803	1 617 000 524	Armature With Fan 220-230V
811	1 617 000 525	Carbon-Brush Set 220 V / 127 V
813	1 610 905 025	groove ball bearing 7x19x6
820	1 619 P08 973	Intermediate Flange
821	1 617 000 578	Ratchet Sleeve Ø7,5 MM SDS-PLUS
824	1 619 P07 979	Toothed Shaft
832	1 617 000 529	Guide Sleeve
835	1 616 610 093	Fan
840	1 617 000 530	Gear Housing BLACK
843	1 617 000 531	Protection Sleeve BLACK
880	2 603 435 015	Cross Recessed-Head Screw DIN 7981-ST3,5x9,5-F
120	2 602 025 149	Auxiliary Handle
651	1 613 001 009	Depth-Gauge SW 6x210 MM

Illustration - Type - E

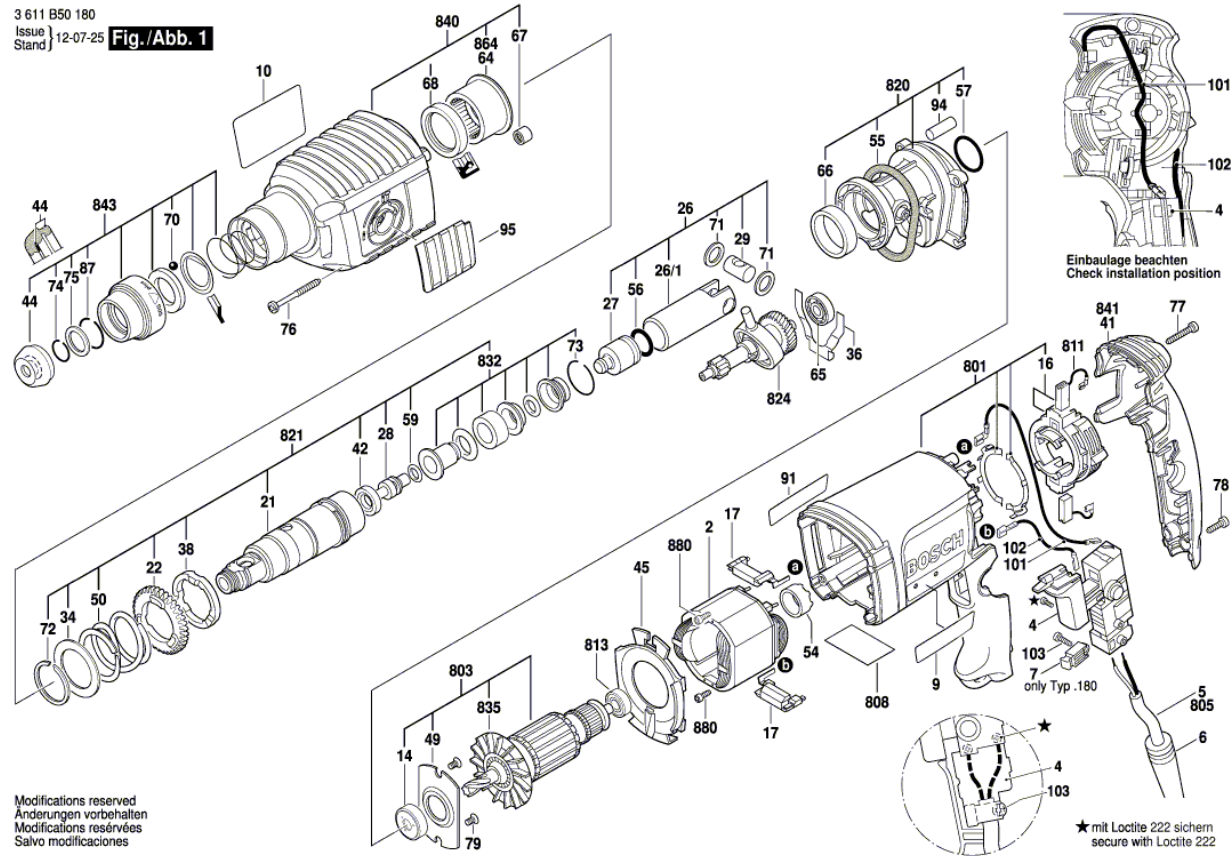
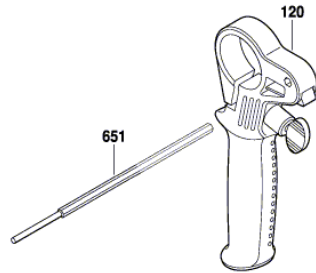


Illustration - Type - E

3 611 B50 180
Issue |
Stand | 12-07-25 **Fig./Abb. 2**



Modifications reserved
Änderungen vorbehalten
Modifications réservées
Salvo modificaciones