



BOSCH

Rotary Hammer

GBH 2 S | 0 611 226 043

Table of Content

Spare parts list.....	2
Illustration - Type.....	5

Spare parts list

Item	Part Number	Description		
2	1 614 220 172	Field	220-230V	
3/60	1 616 610 095	Fan	GRAY	
4	1 617 200 047	On-Off Switch		
5	1 614 460 073	Power supply cord	CN 4,15m 2 x 1,0mm	
		H07 RN-F		
6	2 600 703 018	Grommet	Ø7,3-Ø8,6x76 MM	
7	1 611 035 005	Cable Clip		
9	1 611 110 X23	Manufacturer's nameplate		
10	1 611 110 656	Reference Plate		
12	1 617 328 025	Suppression Filter		
13	1 610 905 025	groove ball bearing	7x19x6	
14	1 610 905 048	groove ball bearing	9x24x7	
16	1 614 336 022	Brush Holder		
18	1 610 522 009	Air-Deflector Ring		
22	1 616 317 602	Cylindrical Gear	Z=50	
24	1 617 000 518	Toothed Shaft	Z=3/9	
26	1 618 700 062	Hammer Piston		
27	1 618 710 057	Striker		
28	1 613 124 040	Striker Pin		
29	1 613 105 012	Piston Pin		
31	1 615 510 003	Protective Grille		
34	1 610 508 008	Protective Cap	L=17 MM, SDS-PLUS	
35	1 610 206 021	Rubber Ring		
37	1 610 390 017	Damping Bushing		
38	1 610 102 026	Supporting Disc		
41	1 610 101 011	Shim washer	1,2 MM	THICK
42	1 610 202 015	Plain bearing		
43	1 611 098 005	Tab Washer		
44	1 615 820 092	Switching Element		
45	1 614 651 014	Switch Spring		
46	1 614 690 002	Driver Pin		
48	1 611 016 003	Holding Plate		
49	1 612 026 035	Switch Button	RED	
60	1 610 910 073	Needle-Roller Bearing		
61	1 610 910 098	Needle bearing		

Spare parts list

Item	Part Number	Description
62	1 610 910 074	Needle bearing
63	1 610 910 064	Needle bearing
64	1 610 913 010	Needle-Roller Assembly
65	1 610 591 016	Plain bearing
67	1 610 905 016	groove ball bearing
70	1 610 283 019	Shaft Seal
71	1 610 290 029	Scraper
72	1 610 210 068	O-Ring 24,0x2,5 MM
73	1 610 210 187	O-Ring
74	1 610 210 104	O-Ring 11,0x3,5 MM
75	1 610 210 105	O-Ring 18,0x3,5 MM
76	1 610 210 046	O-Ring 10,5x2,7 MM
77	1 610 210 106	O-Ring 60,0x3,0 MM
80	1 614 634 005	Compression Spring
81	1 614 611 009	Compression Spring
83	1 614 611 006	Compression Spring
85	1 614 601 011	Retaining ring
86	1 614 601 024	Retaining ring
87	2 916 540 012	Retaining ring DIN 7993-A22
88	1 613 200 007	Roller
89	1 903 230 013	Ball DIN 5401-Ø7MM-III-ST
90	1 603 435 036	Tapping Screw 4,8x78 MM, TORX T-20
91	2 603 490 026	Lens Head Screw 4x32
92	2 603 490 023	Torx Oval-Head Screw 4x20
93	2 910 211 005	Tapping Screw DIN 7971-ST2,9x9,5-F
94	2 603 435 015	Cross Recessed-Head Screw DIN 7981-ST3,5x9,5-F
95	2 603 410 001	Socket head cap screw M3x6,5-4.8
96	2 912 401 018	Tapping Screw DIN7981-ST3,9x13-C-Z
101	1 614 465 008	Suppression Filter L=55 MM WHITE
102	2 604 448 005	Cable L=130 MM WHITE
180	1 611 110 855	Sticker
801	1 617 000 477	Motor Housing
803	1 614 010 732	Armature With Fan 220-230V
811	1 617 014 134	Carbon-Brush Set

Spare parts list

Item	Part Number	Description		
819	1 617 000 385	Gear Housing		
820	1 617 000 981	Intermediate Flange		
821	1 616 490 061	Ratchet Sleeve	SDS-PLUS	
821/01	1 616 490 060	Ratchet Sleeve	SDS-PLUS	
823	1 616 328 042	Gear Sleeve	Z=26/6	
826	1 617 000 517	Toothed Shaft	Z=3/9	
830	1 615 819 018	Drive bearing		
832	1 612 026 037	Clamp Handle	BLACK	
833	1 617 000 163	Protection Sleeve	SDS-PLUS	
847	1 617 000 348	Guide Ring		
888	1 601 11A 3H5	Nameplate		
700	1 617 000 154	Drill Chuck Shank	1/2"	SDS-PLUS
700/20	2 603 421 226	Countersunk-Head Screw LEFTHAND THREADS	M6x27	
701	1 608 571 088	Chuck		
701/700	2 607 950 007	Chuck Wrench	SG2	
711	1 617 000 133	Parts Set		
711/10/2	2 604 601 004	Retaining ring		
750	2 605 438 294	Carrying Case		
755	1 618 580 000	Angle Drill Head	SDS-PLUS	
822	2 602 025 118	Auxiliary Handle	Ø43 MM	
822/120	1 612 025 019	Auxiliary Handle	M8	
822/124	1 611 316 006	Clamping Band	Ø43 MM	
822/125	1 613 490 002	T-Head Bolt	M8x40 MM	
822/802	2 608 040 176	Support clamp	Ø43 MM	
879	1 613 001 009	Depth-Gauge	SW 6x210 MM	

Illustration - Type - E

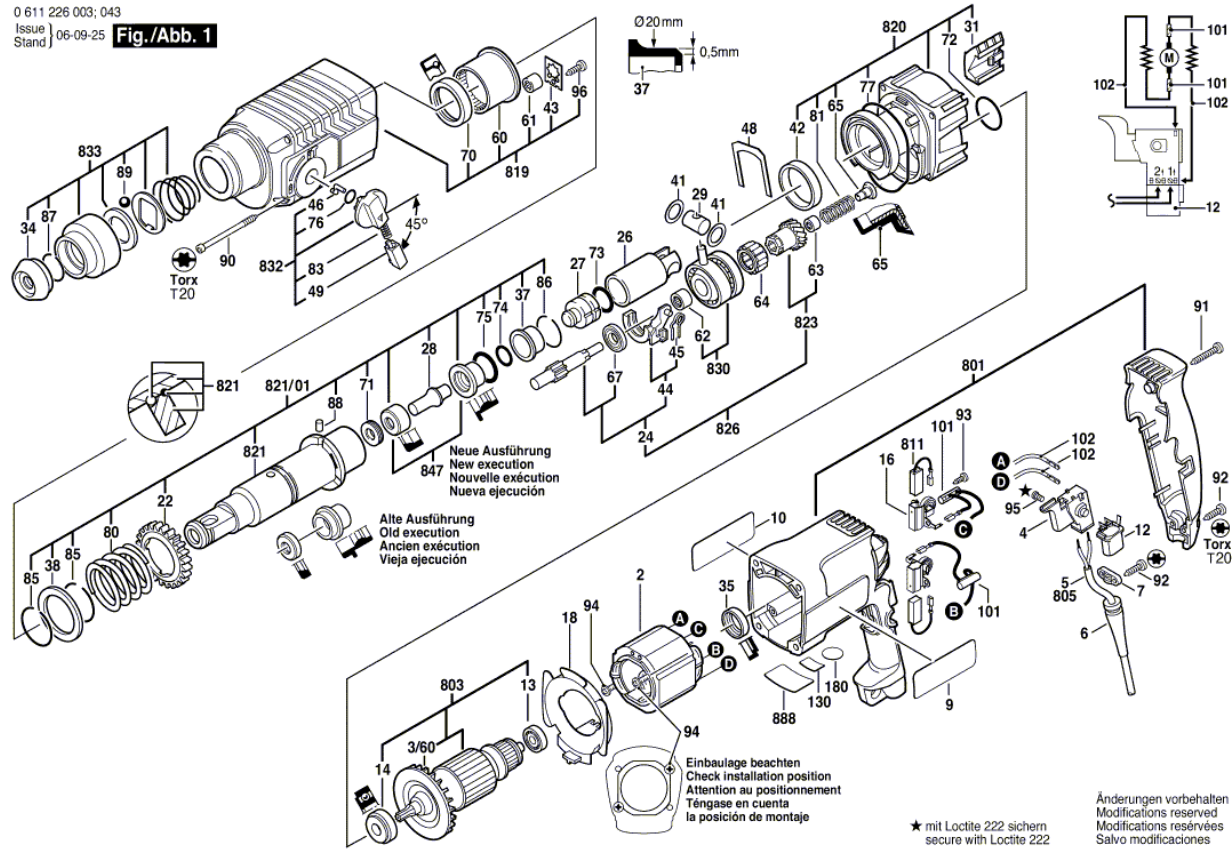


Illustration - Type - E

0 611 226 003; 043
 Issue | 06-09-25
 Stand |

Fig./Abb. 2

