



BOSCH

Rotary Hammer

GBH 3-28 DFR | 3 611 B4A 081

Table of Content

| | |
|--------------------------|---|
| Spare parts list..... | 2 |
| Illustration - Type..... | 6 |

Spare parts list

| Item | Part Number | Description | | |
|-------|---------------|-------------------------------|--------------------|-------|
| 2 | 2 604 220 549 | Field | 230-240V | |
| 3/13 | 1 610 905 032 | groove ball bearing | 7x19x6 | |
| 3/5 | 1 616 610 104 | Fan | | |
| 4/101 | 1 614 490 015 | Connecting Cable | | |
| 4/102 | 1 614 490 016 | Connecting Cable | | |
| 4/4 | 1 617 200 127 | Switch | | |
| 4/5 | 1 614 460 073 | Power supply cord H07 RN-F | CN 4,15m 2 x 1,0mm | |
| 4/6 | 1 600 703 034 | Grommet | Ø7,3-Ø8,6x66 MM | |
| 7 | 1 601 302 017 | Fastening Clamp | | |
| 9 | 1 601 11C 0UU | Manufacturer's nameplate | | |
| 11 | 1 611 110 Z43 | Reference Plate | | |
| 14 | 1 610 905 044 | groove ball bearing | | |
| 16 | 1 614 336 064 | Brush Plate | | |
| 17 | 1 614 465 011 | Suppression Filter | | |
| 19 | 1 611 329 024 | Switch Contact | | |
| 26 | 1 617 000 6A5 | Hammer Piston | | |
| 26/27 | 1 610 311 019 | Striker | | |
| 26/29 | 1 600 A01 TD0 | Piston Pin | | |
| 26/56 | 1 610 210 121 | O-Ring | 17,0x3,0 MM | GREEN |
| 26/71 | 1 610 100 016 | Guide Disc | | |
| 32 | 1 612 026 151 | Clamp Handle | BLACK | |
| 32/20 | 1 614 690 009 | Driver Pin | | |
| 32/30 | 1 612 026 035 | Switch Button | RED | |
| 32/40 | 1 610 210 046 | O-Ring | 10,5x2,7 MM | |
| 32/50 | 1 614 611 006 | Compression Spring | | |
| 39 | 1 615 808 102 | Gear Cover | BLUE | |
| 45 | 1 610 591 046 | Air-Deflector Ring | | |
| 47 | 1 610 283 047 | Rotary shaft lip seal | | |
| 48 | 1 610 290 102 | Bearing Ring | | |
| 48/1 | 1 610 210 208 | O-Ring | 24,0x2,0 MM | |
| 49 | 1 615 700 044 | End Shield | | |
| 52/18 | 1 610 290 098 | Clutch Sleeve | | |
| 52/52 | 1 615 108 154 | Cover | BLACK | |
| 53 | 1 610 210 245 | O-Ring | | |

Spare parts list

| Item | Part Number | Description |
|---------|---------------|---|
| 54 | 1 600 502 023 | Intermediate Ring |
| 55 | 1 610 210 206 | Seal Ring 63,0x5,0 MM |
| 63/63 | 1 610 910 063 | Needle bearing Ø30xØ37x12 MM |
| 63/64 | 1 610 390 069 | Bushing |
| 66 | 1 610 202 021 | Plain bearing |
| 68 | 1 610 283 036 | Rotary shaft lip seal |
| 74 | 1 603 430 00V | Torx Oval-Head Screw |
| 75 | 2 603 490 023 | Torx Oval-Head Screw 4x20 |
| 76 | 2 603 490 027 | Torx Oval-Head Screw 4x40 |
| 77 | 1 613 490 017 | Thread-forming tap. Screw M4x30 DIN7500-1 T-20 |
| 78/1 | 1 600 A00 3TA | Shim 0,3 MM |
| 78/1 | 1 600 A00 4FU | Shim 0,15 MM |
| 78/1 | 1 600 A00 4FV | Shim 0,45 MM |
| 79 | 1 613 435 023 | Thread-forming tap. Screw |
| 80 | 1 613 435 038 | Lens Head Screw |
| 81/193 | 1 612 026 126 | Switch-Pawl RED |
| 81/80 | 1 615 133 033 | Handle BLUE |
| 82 | 1 617 000 6AE | Handle Cover BLACK |
| 83/194 | 1 610 099 013 | Screw Plate BLACK |
| 83/83 | 1 614 690 008 | Leaf Spring |
| 85 | 1 615 500 404 | Cover |
| 96 | 1 614 601 046 | Retaining ring |
| 100 | 1 610 026 003 | Damping rubber |
| 113 | 1 616 325 002 | Switching Panel |
| 130 | 1 616 333 049 | Gear Sleeve |
| 135 | 1 614 601 067 | Retaining ring |
| 136 | 1 610 205 017 | Felt Disc |
| 137 | 2 916 660 012 | Spring retaining ring 30x1,2MM, DIN 472 |
| 199/188 | 1 610 209 008 | Grip-Spring Tensioning E |
| 199/199 | 1 610 284 002 | Bellows |
| 199/43 | 1 612 099 002 | Rocker Arm |
| 199/44 | 1 614 611 025 | Rocker Foot BLACK |
| 200 | 1 610 284 007 | Bellows |
| 321 | 1 617 000 6BV | Toolholder |

Spare parts list

| Item | Part Number | Description |
|---------|---------------|---|
| 321/22 | 1 616 312 004 | Cylindrical Gear |
| 321/28 | 1 613 124 097 | Striker Pin |
| 321/33 | 1 610 590 020 | Holding Jacket |
| 321/34 | 1 610 190 067 | Supporting Disc |
| 321/37 | 1 613 100 019 | Straight Pin DIN6325-2,5x12-RIKO |
| 321/38 | 1 600 A00 8AG | Catch Disk |
| 321/42 | 1 610 102 084 | Thrust Ring |
| 321/46 | 1 610 390 068 | Guide Bushing |
| 321/50 | 1 614 615 008 | Compression Spring |
| 321/58 | 1 610 210 105 | O-Ring 18,0x3,5 MM |
| 321/59 | 1 600 A00 9VC | Shaft Seal |
| 321/60 | 1 610 210 209 | O-Ring 9,5x3,5 MM |
| 321/72 | 1 604 601 027 | Retaining ring |
| 321/86 | 1 614 601 034 | Retaining ring |
| 321/87 | 1 604 601 028 | Retaining ring A22 DIN 7993 |
| 390/89 | 1 600 A00 NC8 | Guide Sleeve |
| 390/90 | 1 610 590 016 | Collar Sleeve |
| 390/91 | 1 610 200 033 | Backup ring |
| 390/95 | 1 614 643 016 | Compression Spring |
| 390/97 | 1 614 601 047 | Retaining ring |
| 801 | 1 617 000 689 | Motor Housing BLUE |
| 803 | 1 617 000 690 | Armature 230V |
| 808 | 1 601 11A 3H5 | Nameplate |
| 811 | 1 607 000 485 | Carbon-Brush Set 10 x 1 617 000 525 |
| 811 | 1 617 000 525 | Carbon-Brush Set 220 V / 127 V |
| 818 | 2 603 410 001 | Socket head cap screw M3x6,5-4.8 |
| 820 | 1 617 000 A5J | Intermediate Flange |
| 821 | 1 617 000 6BU | Tool Holding Fixture |
| 824 | 1 617 000 A5K | Jack Shaft |
| 825 | 1 617 000 895 | Tool Holding Fixture |
| 825/203 | 1 610 508 047 | Protective Cap |
| 828 | 1 617 000 6A7 | Striker Pin |
| 830 | 1 617 000 698 | Gear Sleeve |
| 840 | 1 617 000 699 | Impact Mechanism Housing BLACK |
| 890 | 1 617 000 V41 | Guide Sleeve |

Spare parts list

| Item | Part Number | Description |
|-------------|--------------------|----------------------------|
| 120 | 1 602 025 08Y | Auxiliary Handle |
| 120/120 | 1 602 025 07H | Auxiliary Handle |
| 120/124 | 1 611 316 021 | Clamping Band Ø50 MM |
| 120/125 | 1 613 490 001 | T-Head Bolt M8x80 MM |
| 120/802 | 1 617 000 685 | Support clamp |
| 661 | 1 615 430 010 | Grease Tube 30 ML |
| 688 | 1 613 001 009 | Depth-Gauge SW 6x210 MM |
| 895 | 1 615 438 426 | Lock for 1 615 438 395 |

Illustration - Type - E

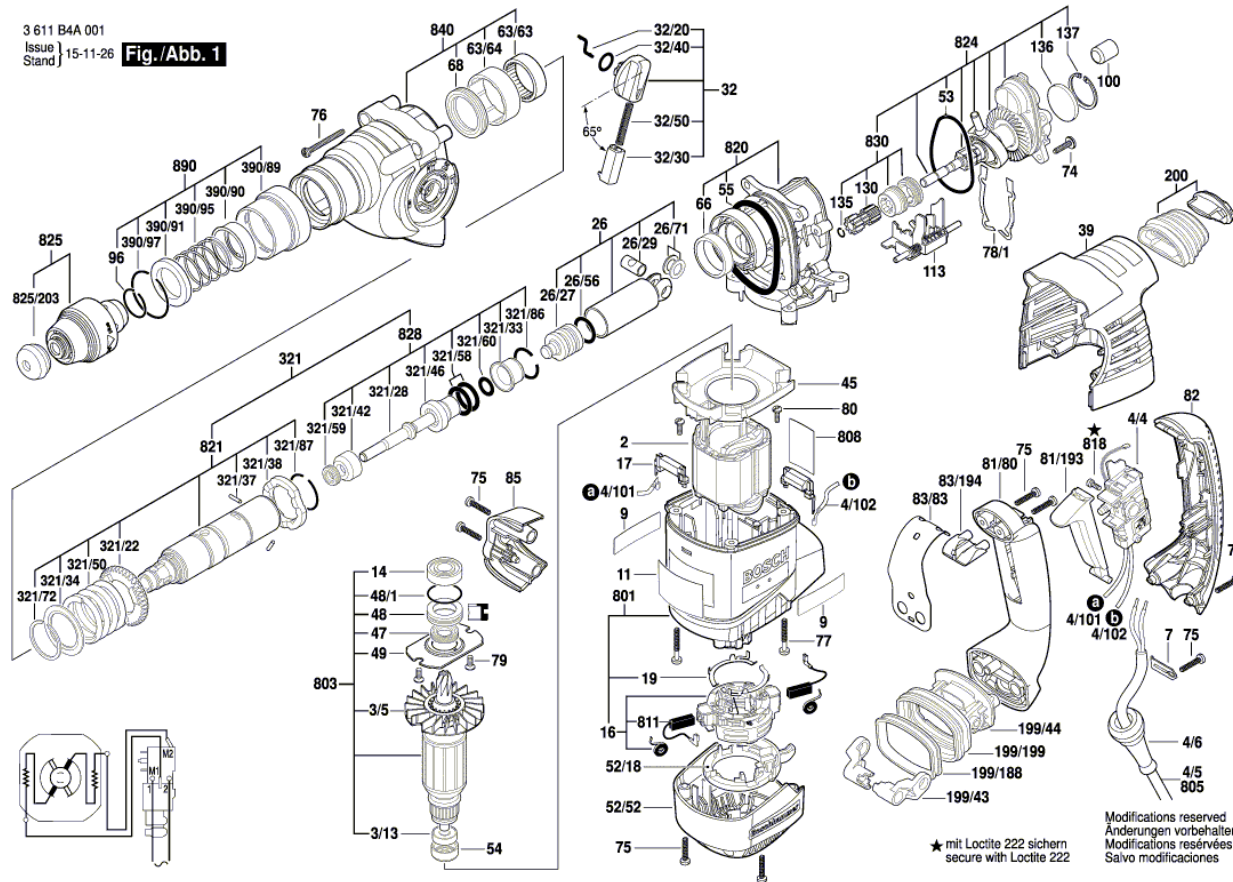
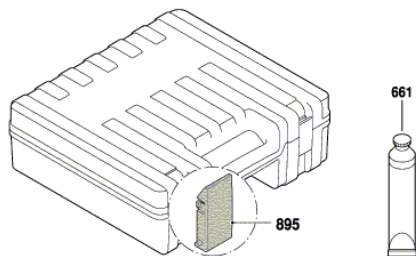
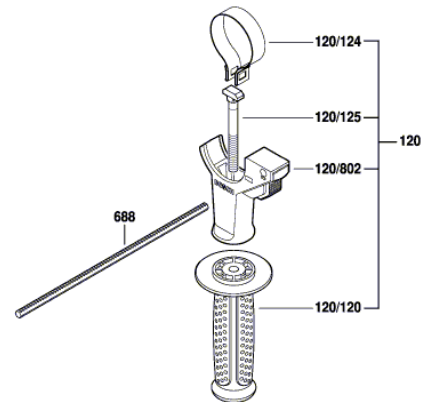


Illustration - Type - E

3 611 B4A 001
Issue |
Stand | 15-06-16 **Fig./Abb. 2**



Modifications reserved
Änderungen vorbehalten
Modifications réservées
Salvo modificaciones