



**BOSCH**

# Rotary Hammer

GBH 36V-EC Compact | 3 611 J03 R80

---

## Table of Content

|                          |   |
|--------------------------|---|
| Spare parts list.....    | 2 |
| Illustration - Type..... | 4 |

# Rotary Hammer | GBH 36V-EC Compact | 3 611 J03 R80

## Spare parts list

| Item | Part Number   | Description                                 |
|------|---------------|---|
| 1    | 1 615 108 17B | Housing Section                             |
| 3    | 1 610 499 067 | Centering Sleeve                            |
| 4    | 1 607 233 316 | Electronics Module                          |
| 5    | 1 610 591 044 | Air Path      BLACK                         |
| 7    | 1 611 110 Z32 | Sticker                                     |
| 9    | 1 601 11C OUL | Manufacturer's nameplate                    |
| 9    | 1 611 110 Z40 | Manufacturer's nameplate      J             |
| 10   | 1 601 11C OUM | Manufacturer's nameplate                    |
| 11   | 1 611 110 Z23 | Reference Plate      EU, GB, AUS, KOREA, CN |
| 11   | 1 611 110 Z39 | Reference Plate      J                      |
| 16   | 1 610 102 637 | Supporting Disc      12x38x0,5              |
| 17   | 1 611 015 060 | Sealing Frame                               |
| 18   | 1 610 290 116 | Seal Ring                                   |
| 23   | 1 616 317 084 | Cylindrical Gear                            |
| 31   | 1 614 601 053 | Retaining ring                              |
| 32   | 1 612 026 114 | Switch Button                               |
| 34   | 1 610 508 051 | Rubber Bushing                              |
| 37   | 1 610 551 008 | Holding Plate                               |
| 39   | 1 604 601 02U | Retaining ring                              |
| 40   | 1 613 100 019 | Straight Pin      DIN6325-2,5x12-RIKO       |
| 41   | 1 610 102 072 | Ratchet Disc                                |
| 43   | 1 610 499 080 | Protection Sleeve                           |
| 44   | 1 610 508 052 | Protective Cap                              |
| 46   | 1 614 630 003 | Compression Spring                          |
| 47   | 1 610 905 039 | groove ball bearing                         |
| 48   | 1 614 601 054 | Retaining ring                              |
| 50   | 1 619 P11 562 | Guide Bushing                               |
| 51   | 1 613 231 014 | Shift Plate                                 |
| 52   | 1 614 690 005 | Coiled Spring                               |
| 53   | 1 619 P00 828 | Pressure Disc                               |
| 54   | 1 613 100 033 | Guide Rod                                   |
| 59   | 1 610 102 045 | Friction Washer      1,0 MM      THICK      |
| 60   | 1 610 190 054 | Support Disc                                |
| 70   | 1 903 230 013 | Ball      DIN 5401-Ø7MM-III-ST              |
| 71   | 1 613 435 036 | Torx Oval-Head Screw      35x16             |

# Rotary Hammer | GBH 36V-EC Compact | 3 611 J03 R80

## Spare parts list

| Item     | Part Number   | Description                             |
|----------|---------------|---|
| 72       | 2 603 490 017 | Torx Oval-Head Screw 3x10               |
| 80       | 1 610 415 002 | Bellows                                 |
| 83       | 2 603 100 056 | Damping rubber                          |
| 84       | 1 613 231 023 | Switch Slide                            |
| 87       | 1 614 601 077 | Spring retaining ring                   |
| 326/26   | 1 618 700 083 | Hammer Piston                           |
| 326/29   | 1 613 100 034 | Piston Pin                              |
| 326/38   | 1 610 100 016 | Guide Disc                              |
| 326/56   | 1 610 210 186 | O-Ring 13,0x3,0 MM                      |
| 333/32/1 | 1 610 210 185 | O-Ring 16,5x2,0 MM                      |
| 653      | 2 607 336 913 | Battery Pack 36V 2,0 Ah Li              |
| 653      | 2 607 336 969 | Slide-In Accu Package                   |
| 802      | 1 617 000 664 | DC motor 36V                            |
| 808      | 1 601 11A 3H9 | Nameplate                               |
| 812      | 1 617 000 665 | Planetary Gear Train                    |
| 820      | 1 617 000 666 | Intermediate Flange                     |
| 821      | 1 617 000 667 | Hammer Pipe                             |
| 824      | 1 607 000 D10 | Jack Shaft                              |
| 827      | 1 617 000 669 | Striker                                 |
| 828      | 1 613 124 084 | Striker Pin                             |
| 833      | 1 617 000 670 | Clamp Handle                            |
| 844      | 1 617 000 6D3 | Protection Sleeve                       |
| 867      | 1 617 000 671 | Compression Spring                      |
| 888      | 1 617 000 672 | Push-Button                             |
| 891      | 1 609 280 425 | Contact retainer                        |
| 120      | 1 612 025 078 | Auxiliary Handle                        |
| 651      | 2 609 005 615 | Depth-Gauge                             |
| 654      | 2 607 225 409 | Fast Charger CN 220/36V                 |
| 654      | 2 607 225 909 | Fast Charger J GAL 3680 CV 100/14,4-36V |
| 654      | 2 607 226 457 | Charger EU GAL 3680 CV 230/14,4-36V     |
| 654      | 2 607 226 459 | Charger GB GAL 3680 CV 230/14,4-26V     |
| 654      | 2 607 226 465 | Charger ROK GAL 3680 CV 220/14,4-36V    |
| 890      | 1 615 430 001 | Grease Tube 225 ML                      |

Illustration - Type - E

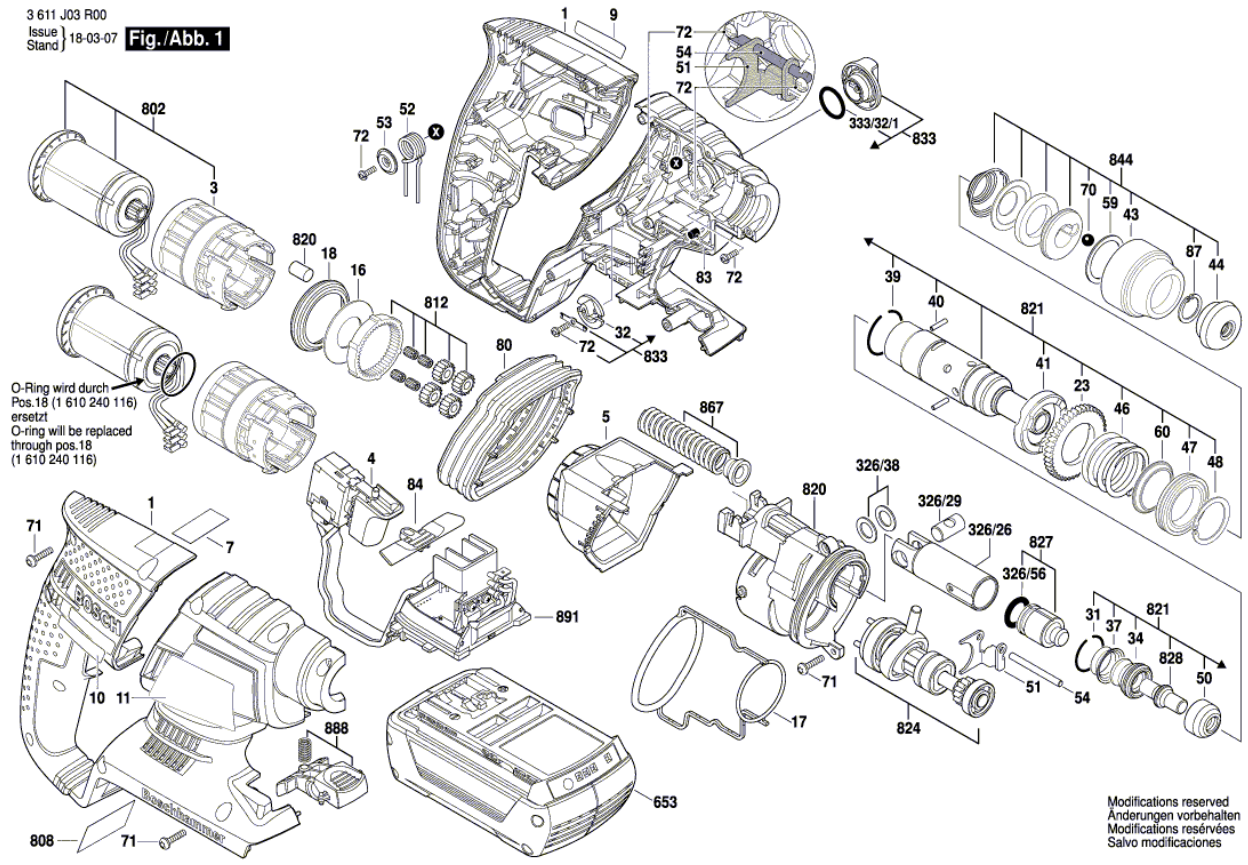
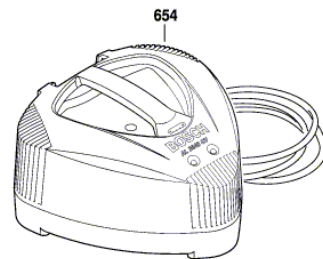
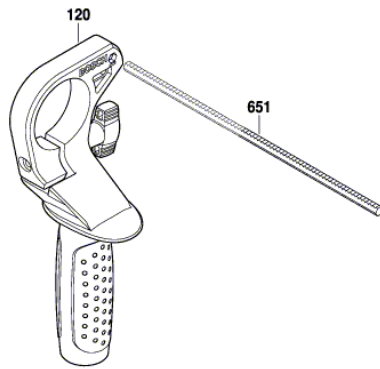


Illustration - Type - E

3 611 J03 R00  
Issue | 14-03-27  
Stand | **Fig./Abb. 2**



Modifications reserved  
Änderungen vorbehalten  
Modifications réservées  
Salvo modificaciones