



BOSCH

Rotary Hammer

GBH 5-40 DE | 0 611 241 743

Table of Content

Spare parts list.....	2
Illustration - Type.....	5

Spare parts list

Item	Part Number	Description
1	1 615 102 155	Motor Housing BLUE
2	1 614 220 123	Field 220-240V
4	1 617 200 101	Switch
5	1 614 460 075	Power supply cord CN 4,15m 2 x 1,0mm H07 RN-F
6	1 600 703 035	Grommet Ø8,7-Ø9,6x66 MM
7	1 601 302 018	Fastening Clamp
9	1 611 110 C42	Manufacturer's nameplate
13	1 610 900 026	groove ball bearing 8x24x8
14	1 610 905 041	groove ball bearing 12x32x10
15	1 616 610 090	Fan
21	1 610 508 038	Protective Cap
22	1 610 591 027	Protection Sleeve
23	1 610 520 001	Stop Sleeve
25	1 612 300 036	Stopping Device
26	1 610 290 076	Indexing Disk
27	1 610 591 028	Air-Deflector Ring
28	1 614 621 000	Compression Spring
31	1 610 290 049	Damping Ring
34	1 610 516 013	Flange
37	1 615 500 315	Bearing Pedestal
38	1 615 190 101	Covering hood
42	1 614 336 046	Brush Holder
43	1 615 500 410	Fan Cover BLACK
44	1 614 617 003	Compression Spring
47	1 610 300 064	Gear Sleeve
48	1 616 334 012	Clutch Sleeve
53	1 610 290 068	Support Disc
57	1 618 710 074	Striker
72	1 600 A01 4S8	Eccentric Cog Wheel
74	1 611 921 001	Guide Plate
75	1 615 132 087	Handle BLUE
79	1 613 435 015	Torx Oval-Head Screw M5x12-TORX,T25 SILVER
80	1 617 233 032	Speed governor 220-240V
81	1 615 132 088	Handle Cover BLACK

Spare parts list

Item	Part Number	Description
94	1 610 102 056	Friction Washer
95	1 610 210 173	O-Ring 32,0x1,5 MM
97	1 610 031 005	Locking Washer
99	1 610 102 059	Support Disc
102	1 610 102 057	Shim 0,3 MM
102	1 610 102 058	Shim 0,2 MM
104	1 610 210 160	O-Ring 52,0x2,0 MM
111	1 610 290 064	Bushing
112	1 613 300 008	Hex Nut DIN 936-M8x1-8
113	1 613 435 009	Tapping Screw ST-4,8x57,5-TORX,T20
116	1 610 311 017	Inner Ring
117	1 610 913 029	Needle-Roller Assembly
121	1 610 328 019	Bushing
124	1 619 P10 303	Collar Sleeve
126	2 910 211 019	Tapping Screw DIN 7971-ST3,9x16-F
138	1 611 015 053	Sealing Frame
141	1 610 290 066	Rotary shaft lip seal
142	1 610 290 069	Rotary shaft lip seal
143	1 614 601 021	Retaining ring DIN 7993-28x2
144	1 610 251 006	Supporting Disc
145	1 610 119 012	Spring retaining ring
154	2 916 660 023	Spring retaining ring DIN 472 52x2MM
160	1 610 210 161	Damping Ring
162	1 610 210 163	O-Ring 22,0x3,5 MM
163	1 610 290 065	Seal Ring
165	1 610 210 079	O-Ring 22,0x4,0 MM
167	1 610 283 033	Rotary shaft lip seal
171	1 613 435 016	Torx Oval-Head Screw M5x20-TORX,T25 SILVER
172	1 613 435 013	Torx Oval-Head Screw M6x30-TORX,T30 SILVER
175	2 912 401 018	Tapping Screw DIN7981-ST3,9x13-C-Z
176	1 613 435 012	Torx Oval-Head Screw M4,8x25-TORX,T25 SILVER
177	1 603 435 051	Tapping Screw ST3,9x32 SILVER
192	1 614 611 019	Compression Spring

Spare parts list

Item	Part Number	Description
195	1 613 435 020	Torx Oval-Head Screw
198	1 618 900 001	Control Lever
200	1 610 284 000	Bellows
202	1 611 010 006	Switch Hook
203	1 610 322 009	Support Disc SILVER
803	1 614 011 098	Armature 220-240V
806	3 604 477 009	End Splice
808	1 601 11A 3H5	Nameplate
811	1 617 014 144	Carbon-Brush Set
816	1 609 271 281	Socket head cap screw
817	1 614 652 004	Spiral Spring
818	2 910 011 082	Socket head cap screw DIN 84-AM3,5x6-5.8
821	1 617 000 842	Bushing
830	1 617 000 478	Supporting Disc
835	1 617 000 433	Hammer Pipe
840	1 617 000 840	Impact Mechanism Housing
841	1 617 000 460	Striker Pin
849	1 617 000 839	Control Fork
854	1 617 000 461	Stop Disc
856	1 617 000 843	Hammer Piston
860	1 607 000 E7U	Spur Wheel Clutch
873	1 617 000 861	Housing Cover
891	1 617 000 853	Spring Pack
897	1 617 000 430	Wear and Tear Part Set
84	1 602 025 07H	Auxiliary Handle
85	1 618 040 074	Support clamp
86	1 613 490 002	T-Head Bolt M8x40 MM
87	1 611 316 019	Clamping Band Ø62 MM
661	1 615 430 010	Grease Tube 30 ML
691	1 615 438 461	Carrying Case
884	1 612 025 055	Auxiliary Handle Ø62 MM BLACK
886	1 617 000 459	Auxiliary Handle M8 BLACK
895	1 615 430 019	Oil Reservoir 1000 ML
898	1 615 437 511	Oil Reservoir 50 ML

Illustration - Type - E

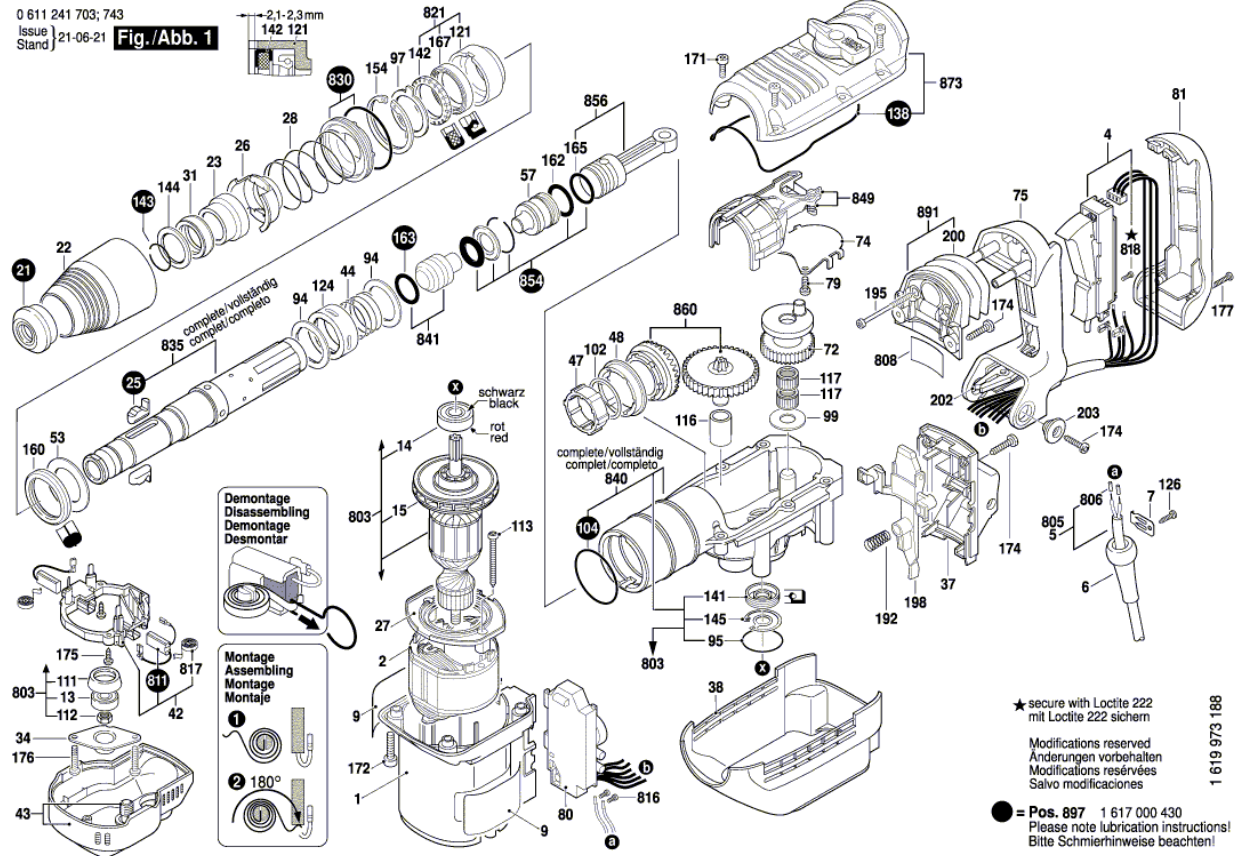


Illustration - Type - E

0 611 241 703; 743
Issue
Stand | 17-03-29

Fig./Abb. 2

