



**BOSCH**

# Drill

GBM 10 RE | 3 601 D73 680

---

## Table of Content

Spare parts list.....	2
Illustration - Type.....	3

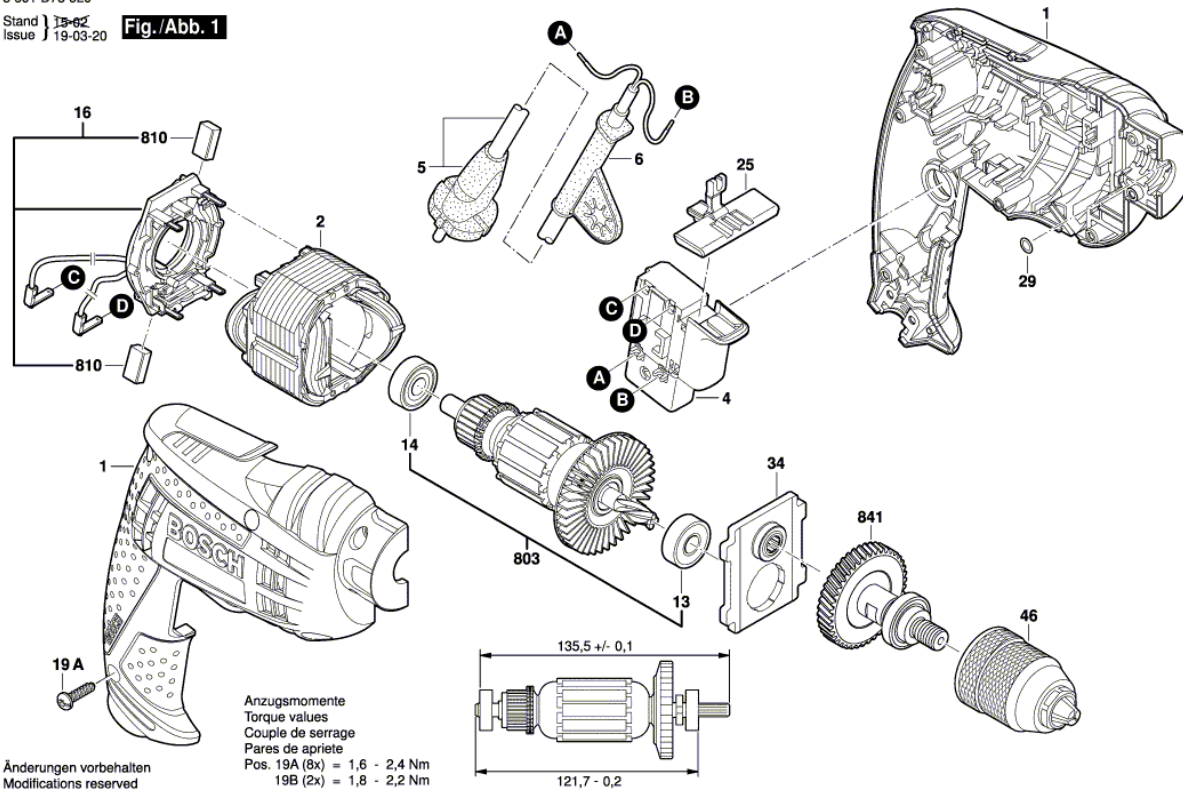
## Spare parts list

Item	Part Number	Description
1	2 609 100 573	Motor Housing
2	1 619 P21 237	Field 220-240V
4	1 607 200 38Y	Switch
5	2 604 460 245	Power supply cord CN 220V 2,65m 2 x 0,75mm H05 VV-F
6	2 600 707 059	Grommet Ø6,9 MM
13	2 609 110 153	Ball Bearing 8x22x7
14	2 609 110 491	Ball Bearing
16	2 609 120 356	Brush Plate
19	2 603 490 022	Screw 4x16
25	2 609 100 618	Reversing Switch
29	1 900 210 000	O-Ring 5,0x1,5 MM
34	2 609 199 158	Bearing Bracket
46	2 609 110 495	Keyless Chuck Ø1,0-10 MM, 3/8
803	2 609 120 338	Armature set 220-240V
810	2 610 391 290	Carbon-Brush Set
841	2 609 120 406	Spindle Assembly

Illustration - Type - E

3 601 D73 6L0  
 Stand } 19-03-20  
 Issue } 19-03-20

Fig./Abb. 1



Änderungen vorbehalten  
 Modifications reserved  
 Modifications réservées  
 Salvo modificaciones

Anzugsmomente  
 Torque values  
 Couple de serrage  
 Pares de apriete  
 Pos. 19A (8x) = 1,6 - 2,4 Nm  
 19B (2x) = 1,8 - 2,2 Nm