

Cordless Drill - 0 601 938 5B5 - GBM 12 VES-2

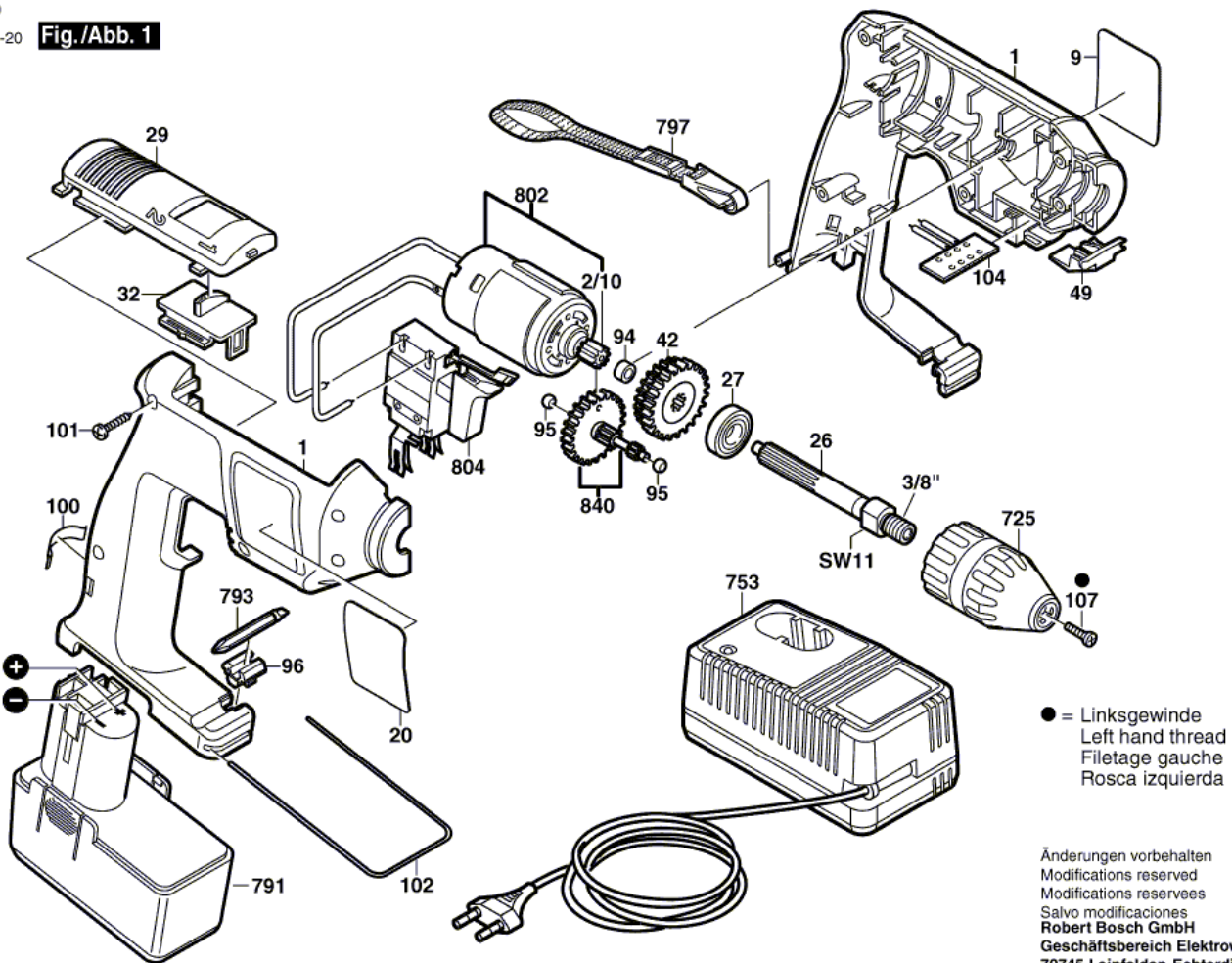
www.powertools-aftersaleservice.com



BOSCH

Item	Part Number	Description	Illustration	Price	Quantity	Price Group
1	2 605 104 514	Housing Section BLUE	1	-,-	1	27
2/10	2 606 316 112	Pinion Z=11	1	-,-	1	16
9	2 601 118 777	Manufacturer's nameplate	1	-,-	1	15
20	2 601 118 778	Reference Plate	1	-,-	1	15
26	2 606 309 050	Drilling Spindle 3/8"	1	-,-	1	28
27	1 900 905 120	groove ball bearing 10x26x8	1	-,-	1	22
29	2 605 510 136	Insert Piece BLACK	1	-,-	1	14
32	2 601 099 056	Adjusting Slide BLACK	1	-,-	1	11
42	1 609 340 007	Set Of Gears Z=58/67	1	-,-	1	28
49	2 605 510 117	Insert Piece BLACK	1	-,-	1	11
94	2 600 301 011	Sintered-Metal Bushing	1	-,-	1	11
95	2 600 302 013	Sintered-Metal Bushing	1	-,-	2	14
96	2 608 040 131	Support	1	-,-	1	12
100	2 601 322 016	Clamp Spring	1	-,-	1	14
101	2 603 490 022	Screw 4x16	1	-,-	6	10
102	2 601 329 041	Retaining Bracket	1	-,-	1	13
104	2 608 018 004	Contact retainer	1	-,-	1	18
107	2 609 110 721	Countersunk-Head Screw M5x20	1	-,-	1	11
725	2 608 572 093	Keyless Chuck Ø 2-13 MM,3/8"	1	-,-	1	-
753	2 607 224 431	Fast Charger USA 120/7,2-24V, 1h	1	-,-	1	48
753	2 607 224 708	Fast Charger USA 120/7,2-14,4V, 30 MIN.	1	-,-	1	-
791	2 607 335 148	Slide-In Accu Package 12V,2,0Ah,NiCd	1	-,-	1	50
793	2 608 521 018	Screwdriver Blade	1	-,-	1	18
797	2 601 398 009	Carrying Loop	1	-,-	1	-
802	2 607 022 928	DC motor 9,6-12V	1	-,-	1	36
804	2 607 200 329	On-Off Switch	1	-,-	1	42
804	2 607 200 393	On-Off Switch	1	-,-	1	41
840	1 609 340 005	Toothed Shaft Z=10/19/81	1	-,-	1	29
899	0 601 938 520	Cordless Drill BATTERY WITHOUT CHARGER	N/A	-,-	1	-

NO Lubrication instructions available for this product



Information subject to change without further notice.