



BOSCH

Drill

GBM 400 | 3 601 AC1 080

Table of Content

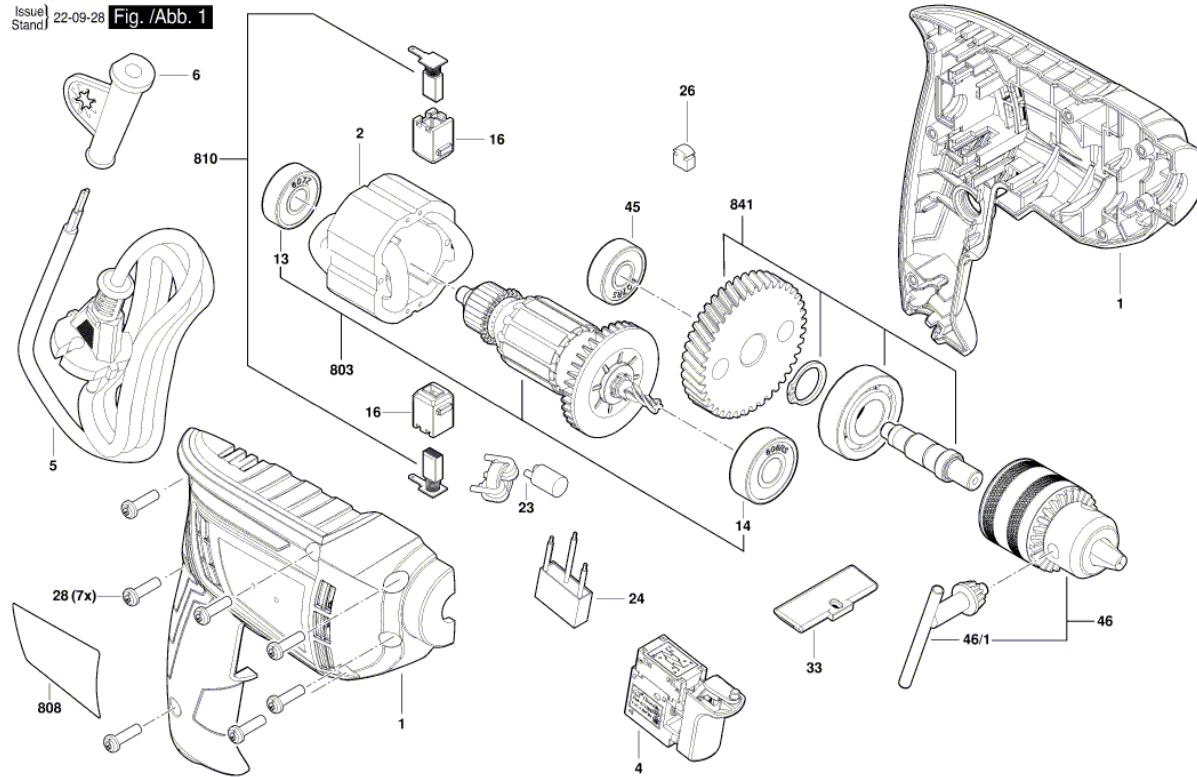
Spare parts list.....	2
Illustration - Type.....	3

Spare parts list

Item	Part Number	Description
1	1 619 PB8 883	Motor Housing
2	1 619 PB8 884	Field
4	1 619 PB8 886	Switch
5	1 619 PB8 887	Power supply cord
6	1 619 PB9 031	Grommet
13	1 619 PB8 897	Ball Bearing
14	1 619 PB8 898	Ball Bearing
16	1 619 PB8 899	Brush Holder
23	1 619 PB9 564	Wire Harness assembly
24	1 619 PB8 901	Suppression Capacitor
26	1 619 PB8 903	Felt Seal
28	1 619 PB8 904	Tapping Screw
33	1 619 PB8 905	Reversing Switch
45	1 619 PB8 909	Ball Bearing
46	1 608 571 079	Chuck Ø1,0-10 MM, 3/8"
46/1	2 607 950 007	Chuck Wrench SG2
803	1 619 PB8 917	Armature set
808	1 619 PB8 891	Nameplate
810	1 619 PB8 919	Carbon-Brush Set
841	1 619 PB8 918	Drilling Spindle

Illustration - Type - E

3 601 AC1 080
Issue/
Stand/ 22-09-28 **Fig. /Abb. 1**



Modifications reserved
Änderungen vorbehalten
Modifications réservées
Salvo modificaciones