



BOSCH

Drill

GBM 450 | 0 601 144 043

Table of Content

| | |
|--------------------------|---|
| Spare parts list..... | 2 |
| Illustration - Type..... | 3 |

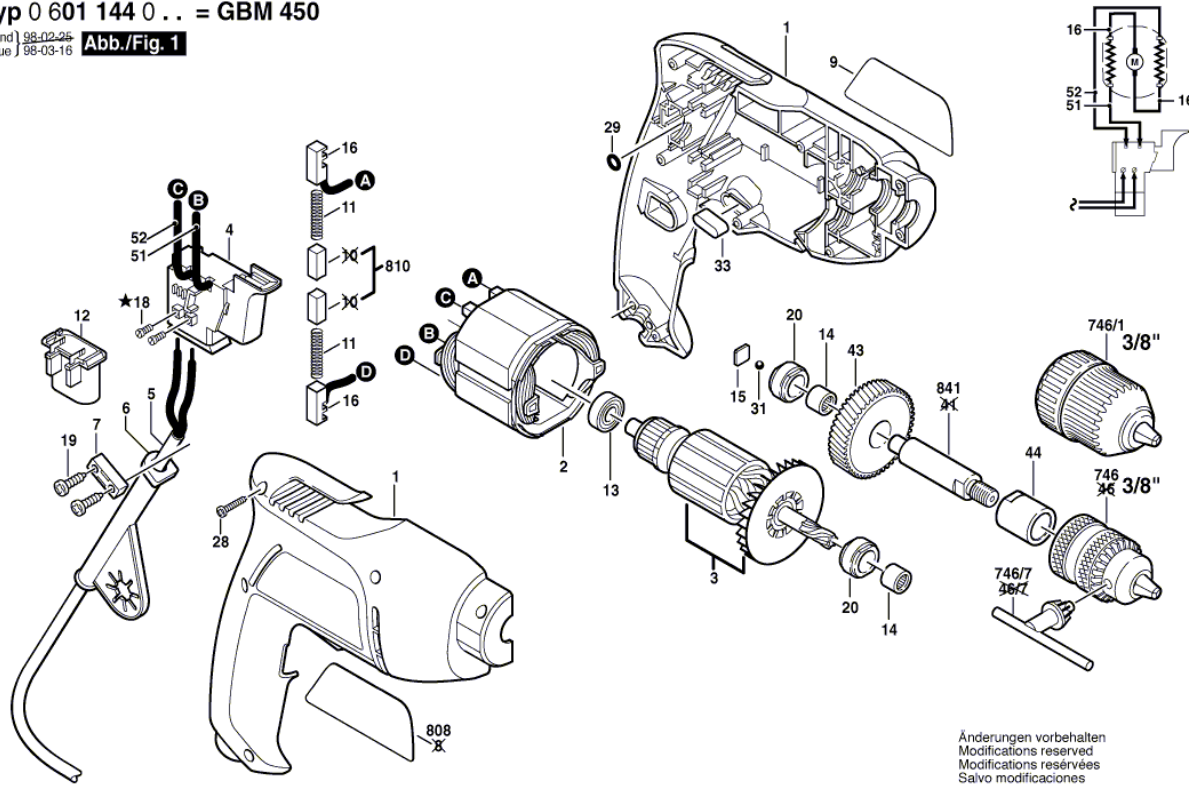
Spare parts list

| Item | Part Number | Description |
|-------|---------------|-------------------------------------|
| 1 | 2 605 104 590 | Housing Section BLUE |
| 2 | 2 604 220 625 | Field 220-240V |
| 3 | 2 604 011 200 | Armature With Fan 230-240V |
| 4 | 2 607 200 397 | Switch |
| 6 | 2 600 707 059 | Grommet Ø6,9 MM |
| 7 | 2 601 035 001 | Cable Clip |
| 9 | 2 609 130 832 | Manufacturer's nameplate |
| 12 | 2 607 329 138 | Suppression Capacitor |
| 13 | 2 600 905 046 | groove ball bearing 8x19x6 |
| 14 | 1 600 200 029 | Plain bearing |
| 15 | 2 609 110 019 | Pressure Plate |
| 16 | 1 604 449 002 | Brush Holder |
| 18 | 2 603 410 001 | Socket head cap screw M3x6,5-4.8 |
| 19 | 2 910 611 019 | Tapping Screw DIN 7981-ST3,9x16-C-H |
| 20 | 2 609 110 018 | Bearing Piece |
| 28 | 2 603 435 065 | Tapping Screw |
| 29 | 1 900 210 000 | O-Ring 5,0x1,5 MM |
| 31 | 1 903 230 009 | Ball DIN 5401-5 G28 |
| 33 | 2 609 100 005 | Protection cover |
| 43 | 2 609 110 021 | Cylindrical Gear Z=45 |
| 44 | 2 600 301 013 | Sintered-Metal Bushing |
| 51 | 2 604 448 045 | Cable L=98 MM BLACK |
| 52 | 2 604 448 018 | Connecting Cable L=124 MM WHITE |
| 746 | 1 608 571 047 | Key Chuck Ø 1-10 MM, 3/8" |
| 746/7 | 2 607 950 007 | Chuck Wrench SG2 |
| 808 | 1 601 11A 3H3 | Nameplate |
| 810 | 2 604 321 904 | Carbon-Brush Set |
| 841 | 2 609 110 023 | Drilling Spindle 3/8" |

Illustration - Type - E

Typ 0 601 144 0 .. = GBM 450

Stand | 98-02-25
Issue | 98-03-16 **Abb./Fig. 1**



Änderungen vorbehalten
 Modifications reserved
 Modifications réservées
 Sinvo modificaciones
Robert Bosch GmbH
Geschäftsbereich Elektrowerkzeuge
D 70745 Leinfelden-Echterdingen

★ mit Loctite 222 sichern
 secure with Loctite 222