



BOSCH

Drill

GBM 450 | 0 601 144 066

Table of Content

Spare parts list.....	2
Illustration - Type.....	3

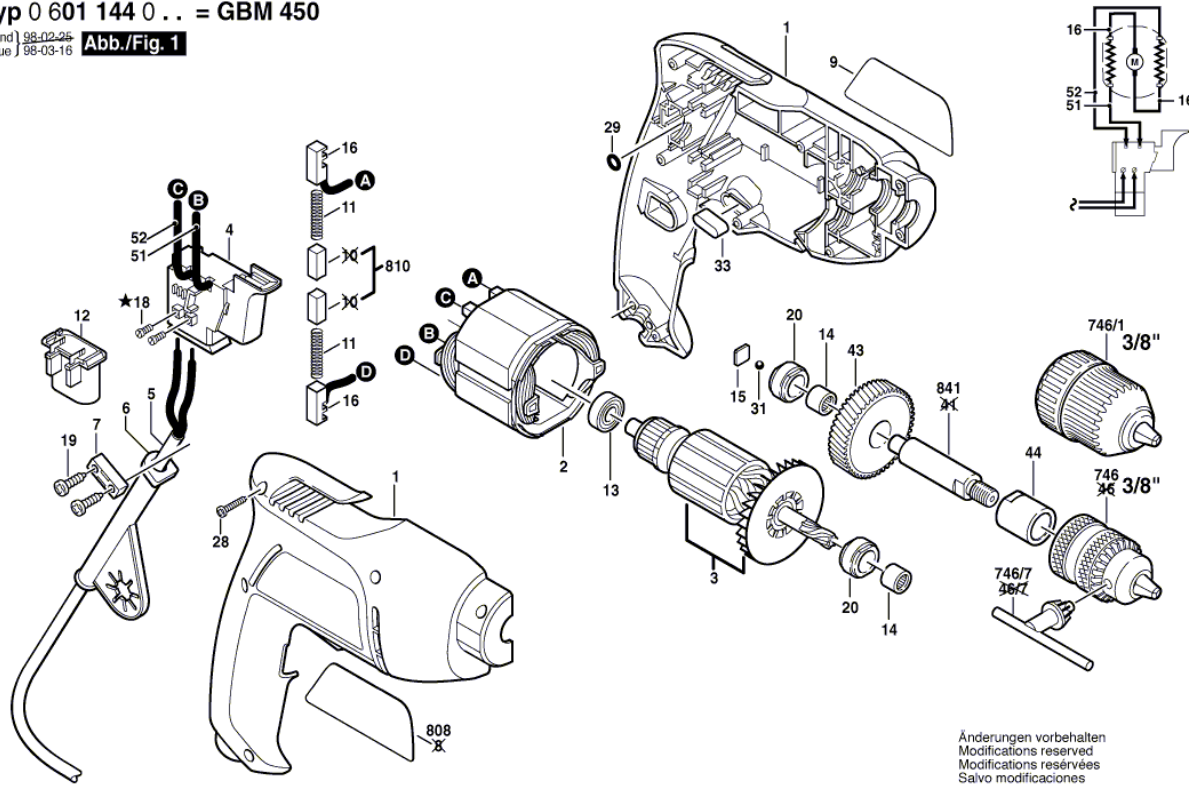
Spare parts list

Item	Part Number	Description
1	2 605 104 590	Housing Section BLUE
2	2 604 220 625	Field 220-240V
3	2 604 011 200	Armature With Fan 230-240V
4	2 607 200 397	Switch
6	2 600 707 059	Grommet Ø6,9 MM
7	2 601 035 001	Cable Clip
9	2 609 130 832	Manufacturer's nameplate
12	2 607 329 138	Suppression Capacitor
13	2 600 905 046	groove ball bearing 8x19x6
14	1 600 200 029	Plain bearing
15	2 609 110 019	Pressure Plate
16	1 604 449 002	Brush Holder
18	2 603 410 001	Socket head cap screw M3x6,5-4.8
19	2 910 611 019	Tapping Screw DIN 7981-ST3,9x16-C-H
20	2 609 110 018	Bearing Piece
28	2 603 435 065	Tapping Screw
29	1 900 210 000	O-Ring 5,0x1,5 MM
31	1 903 230 009	Ball DIN 5401-5 G28
33	2 609 100 005	Protection cover
43	2 609 110 021	Cylindrical Gear Z=45
44	2 600 301 013	Sintered-Metal Bushing
51	2 604 448 045	Cable L=98 MM BLACK
52	2 604 448 018	Connecting Cable L=124 MM WHITE
746	1 608 571 047	Key Chuck Ø 1-10 MM, 3/8"
746/1	2 608 572 200	Keyless Chuck
808	1 601 11A 3H3	Nameplate
810	2 604 321 904	Carbon-Brush Set
841	2 609 110 023	Drilling Spindle 3/8"

Illustration - Type - E

Typ 0 601 144 0 .. = GBM 450

Stand | 98-02-25
Issue | 98-03-16 **Abb./Fig. 1**



Änderungen vorbehalten
 Modifications reserved
 Modifications réservées
 Sinvo modificaciones
Robert Bosch GmbH
 Geschäftsbereich Elektrowerkzeuge
 D 70745 Leinfelden-Echterdingen

★ mit Loctite 222 sichern
 secure with Loctite 222