



BOSCH

Drill

GBM 500 | 0 601 143 243

Table of Content

Spare parts list.....	2
Illustration - Type.....	4

Spare parts list

Item	Part Number	Description
1	2 605 104 553	Housing Section BLUE
2	2 604 220 515	Field 220-240V
3	2 604 011 225	Armature With Fan 220-230V
3/60	1 619 P11 262	Fan
4	2 607 200 365	On-Off Switch
5	1 619 P00 057	Power supply cord H05 VV-F CN 2,65m 2 x 1,00mm
6	1 619 P14 639	Grommet Ø 7mm
6	2 600 707 059	Grommet Ø6,9 MM
7	2 601 035 001	Cable Clip
9	2 601 117 109	Manufacturer's nameplate
13	1 619 P11 239	groove ball bearing
14	1 619 P00 433	Needle-Roller Bearing
16	2 609 992 607	Brush Plate
18	2 603 410 001	Socket head cap screw M3x6,5-4.8
19	1 619 P00 029	Screw
20	1 619 P00 025	Reference Plate
26	1 619 P00 026	Damping Plate
27	2 600 917 003	Needle-Roller Bearing Ø8x8 MM
29	1 900 210 000	O-Ring 5,0x1,5 MM
30	2 605 510 157	Locking Piece
35	2 910 951 132	Oval-Head Screw DIN 7985-M4x25-8.8
45	2 600 005 012	Felt
46	2 604 448 122	Connecting Cable L=162MM WHITE
47	2 604 448 045	Cable L=98 MM BLACK
48	2 604 448 130	Connecting Cable L=88 MM WHITE
52	2 604 448 123	Connecting Cable L=73 MM WHITE
54	2 601 329 043	Contact Strap
739	1 608 571 048	Key Chuck Ø 1,5-13 MM,1/2"
739/7	2 607 950 007	Chuck Wrench SG2
808	1 619 P00 505	Nameplate
816/04	2 604 321 905	Carbon-Brush Set
816/06	2 601 322 017	Ratchet Cap
834	2 605 807 919	Bearing Bracket
836	2 606 135 928	Drilling Spindle 1/2"

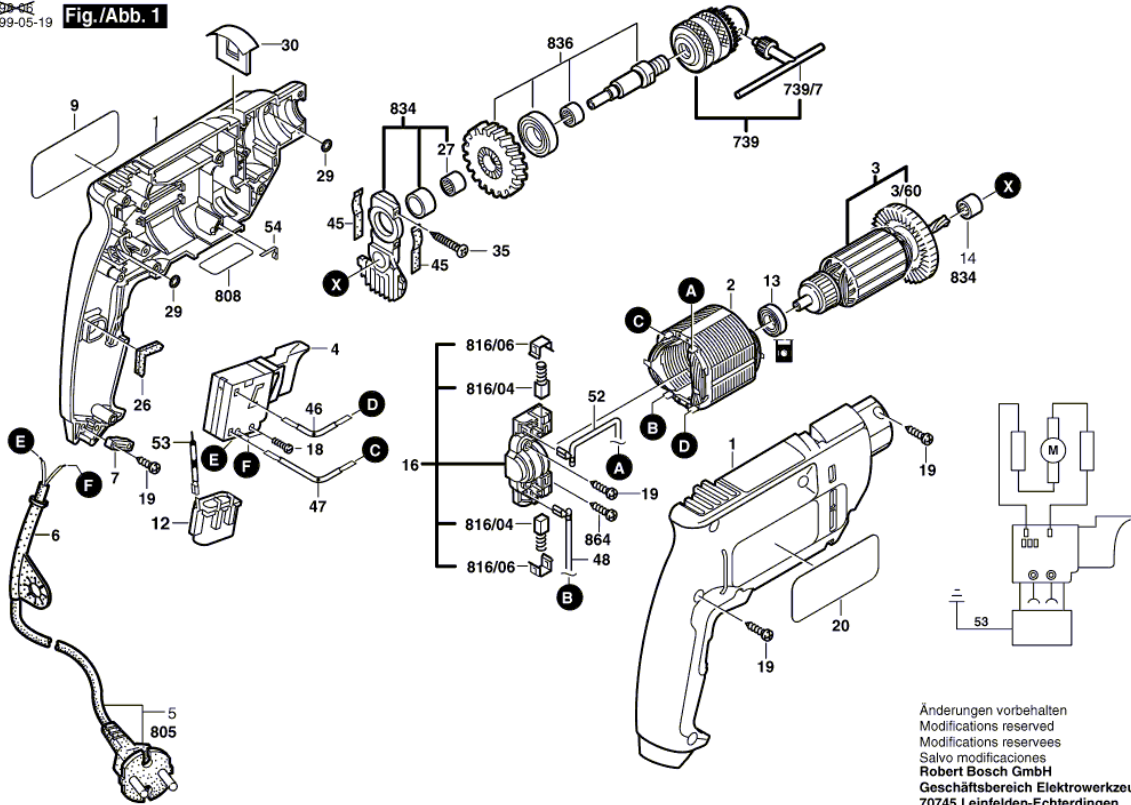
Spare parts list

Item	Part Number	Description
864	1 619 P00 222	Cross Recessed-Head Screw

Illustration - Type - E

0 601 143 003 / 103 / 203 / 403

Stand } 99-05
 Issue } 99-05-19 **Fig./Abb. 1**



Änderungen vorbehalten
 Modifications reserved
 Modifications reserves
 Salvo modificaciones
Robert Bosch GmbH
 Geschäftsbereich Elektrowerkzeuge
 70745 Leinfelden-Echterdingen