

## Belt Sander - 0 601 276 903 - GBS 100 A

www.powertools-aftersaleservice.com



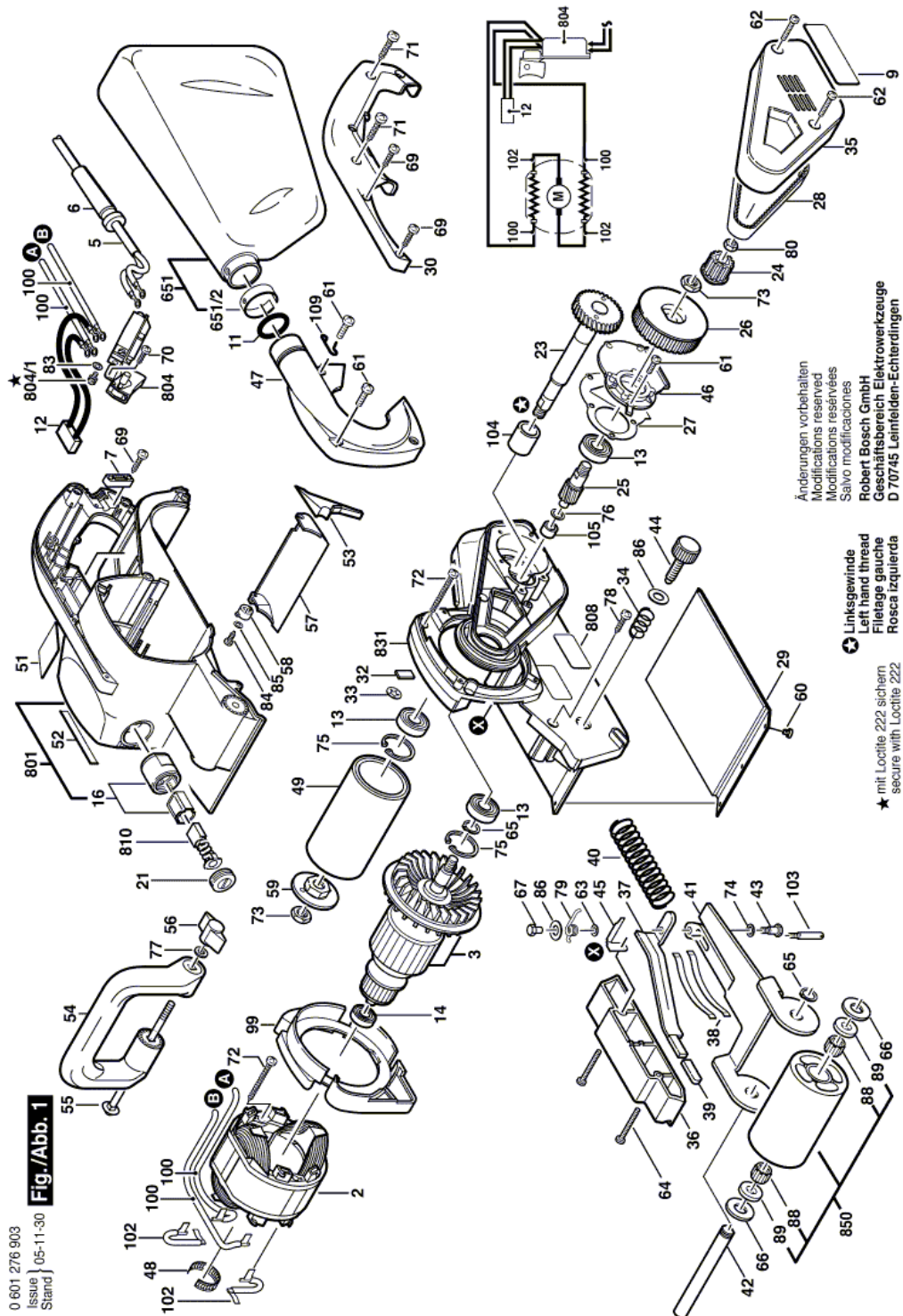
**BOSCH**

Item	Part Number	Description	Illustration	Price	Quantity	Price Group
2	2 610 908 605	Field 230-240V	1	-,-	1	40
3	2 610 908 607	Armature 230V	1	-,-	1	48
5	3 604 460 526	Cord EU, 4,25m, 2 x 1,0mm,H07RN-F	1	-,-	1	33
6	3 600 707 503	Grommet Ø 9,4 MM	1	-,-	1	13
7	2 601 035 001	Cable Clip	1	-,-	1	11
9	2 610 923 793	Manufacturer's nameplate	1	-,-	1	13
11	2 610 992 403	O-Ring 2x22 MM	1	-,-	1	11
12	3 607 328 501	Suppression Filter	1	-,-	1	26
13	1 900 905 161	groove ball bearing 12x28x8	1	-,-	3	31
14	1 619 P01 511	Ball Bearing	1	-,-	1	19
16	2 610 994 411	Brush Holder	1	-,-	2	12
21	2 610 994 437	Screw Cap	1	-,-	2	14
23	2 610 908 618	Spindle With Gear	1	-,-	1	33
24	2 610 993 575	Pinion	1	-,-	1	28
25	2 610 908 621	Pinion	1	-,-	1	30
26	2 610 994 443	Conversion Gear	1	-,-	1	34
27	3 601 015 503	Insert 0,8 MM	1	-,-	1	14
28	3 604 736 505	Toothed Belt 14,3 MM, Z=60	1	-,-	1	28
29	2 610 908 625	Sander Support Plate	1	-,-	1	31
30	2 610 994 470	Handle Cover BLUE	1	-,-	1	22
32	2 610 908 628	Ceramic Plate	1	-,-	2	14
33	1 600 146 001	Locking Washer	1	-,-	2	11
34	2 610 990 029	Compression Spring	1	-,-	1	13
35	2 610 990 025	Gear Cover BLUE	1	-,-	1	22
36	3 605 510 525	Guard Plate	1	-,-	1	25
37	3 601 923 502	Lever	1	-,-	1	27
38	2 610 908 629	Leaf Spring	1	-,-	2	13
39	2 610 908 630	Protective Cap	1	-,-	1	13
40	3 604 619 500	Spring	1	-,-	1	14
41	2 610 908 632	Support Frame	1	-,-	1	31
42	2 610 908 634	Shaft	1	-,-	1	24
43	3 603 453 500	Hex Screw 5x0,8 MM	1	-,-	1	15
44	2 610 908 637	Adjusting Screw	1	-,-	1	17

Item	Part Number	Description	Illustration	Price	Quantity	Price Group
45	2 610 908 638	Plate Strap	1	-,-	1	13
46	2 610 993 630	Gear Cover	1	-,-	1	31
47	3 605 500 579	Fan Cover BLUE	1	-,-	1	19
48	2 610 911 048	Ring 22 MM THICK	1	-,-	1	13
49	2 610 908 642	Pulley	1	-,-	1	34
51	1 619 P06 526	Warning Label	1	-,-	1	13
52	2 610 911 699	Reference Plate	1	-,-	1	15
53	2 610 908 651	Dust Cap	1	-,-	1	14
54	2 610 908 652	Auxiliary Handle	1	-,-	1	25
55	2 610 908 653	Round-Head Bolt	1	-,-	1	13
56	1 603 339 006	Wing Nut M6	1	-,-	1	11
57	2 610 908 655	Adjustment Flap	1	-,-	1	23
58	2 610 908 656	Adjusting Device	1	-,-	1	13
59	2 610 908 657	Cover Disc	1	-,-	1	13
60	2 610 911 095	Socket head cap screw DIN 7985 3,50x4,00-4.8	1	-,-	3	13
61	3 603 415 540	Screw 4x13 MM	1	-,-	7	13
62	3 603 429 514	Screw 4x25 MM	1	-,-	2	11
63	2 916 011 010	Plain Washer DIN 125-A4,3-ST	1	-,-	1	10
64	3 603 429 513	Screw 4x35 MM	1	-,-	2	11
65	2 916 650 003	Spring retaining ring DIN 471-12x1-FSt	1	-,-	2	11
66	2 610 908 658	Washer 12,5x26,0x1,52MM	1	-,-	2	13
67	3 603 315 500	Spring Retainer M 5x0,8 MM	1	-,-	1	13
69	2 610 910 566	Tapping Screw	1	-,-	4	11
70	2 910 611 424	Tapping Screw DIN 7981-ST4,2x9,5-F-H	1	-,-	2	10
71	2 910 611 028	Tapping Screw DIN 7981-ST4,2x22-C-H	1	-,-	3	10
72	2 610 996 051	Tapping Screw	1	-,-	5	12
73	2 610 990 040	Hex Nut	1	-,-	2	13
74	3 600 150 505	Spring Washer	1	-,-	1	13
75	2 610 908 661	Retaining snap ring	1	-,-	2	13
76	3 600 100 504	Shim	1	-,-	1	13
77	2 916 011 014	Plain Washer DIN 125-A 6,4-ST	1	-,-	1	10
78	2 910 611 013	Tapping Screw DIN 7981-ST3,5x19-C-H	1	-,-	2	10
79	2 610 990 039	Compression Spring	1	-,-	1	17
80	2 610 908 663	Hex Nut M8x1,25 MM	1	-,-	1	13
83	3 600 151 505	Locking Washer DIN 433-5,3-ST	1	-,-	2	13
84	2 910 641 082	Oval-Head Screw	1	-,-	1	10
85	2 610 991 341	Washer	1	-,-	1	11
86	2 610 992 475	Shim	1	-,-	2	11
88	3 600 910 504	Needle bearing Ø12xØ16x10 MM	1	-,-	2	18
89	1 600 290 016	Rotary shaft lip seal	1	-,-	2	12
99	2 610 908 665	Baffle BLUE	1	-,-	1	19
100	2 610 908 666	Connecting Cable Vyc101	1	-,-	2	17
102	2 610 908 668	Connecting Cable Vyc101	1	-,-	2	17
103	3 603 405 509	Swivelling Axis	1	-,-	1	13
104	3 600 301 501	Bushing Ø 15,9 MM	1	-,-	1	14
105	3 600 301 502	Bushing Ø 7,8 MM	1	-,-	1	14
109	3 604 680 500	Wire Guide	1	-,-	1	13
651	2 610 997 000	Dust Bag	1	-,-	1	36
651/2	3 601 253 503	Holding Spring	1	-,-	1	14
801	2 610 991 330	Motor Housing BLUE	1	-,-	1	42
804	3 607 200 507	Switch	1	-,-	1	30
804/1	3 603 433 506	Socket head cap screw	1	-,-	4	13
808	1 619 P02 728	Nameplate	1	-,-	1	13

Item	Part Number	Description	Illustration	Price	Quantity	Price Group
808	1 619 P02 727	Nameplate	1	-,-	1	15
810	2 610 908 678	Carbon-Brush Set	1	-,-	1	26
831	2 610 907 550	Housing	1	-,-	1	52
850	2 610 908 644	Tensioning Roller	1	-,-	1	36

Illustration - Type E



Information subject to change without further notice.