

43 ORIENT WITH VENTS DOWNWARD AS SHOWN

24 25 TORQUE TO 204-264 IN-LBS

26 27 TORQUE UNTIL THREADS RUN OUT

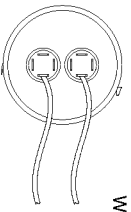
28 29 TORQUE TO 120-144 IN-LBS

30 31 BOLT FLANGES TO PARALLEL WITH ENGINE BASE

32 33 TORQUE TO 60-70 IN-LBS

34 35 TORQUE TO 30-40 IN-LBS

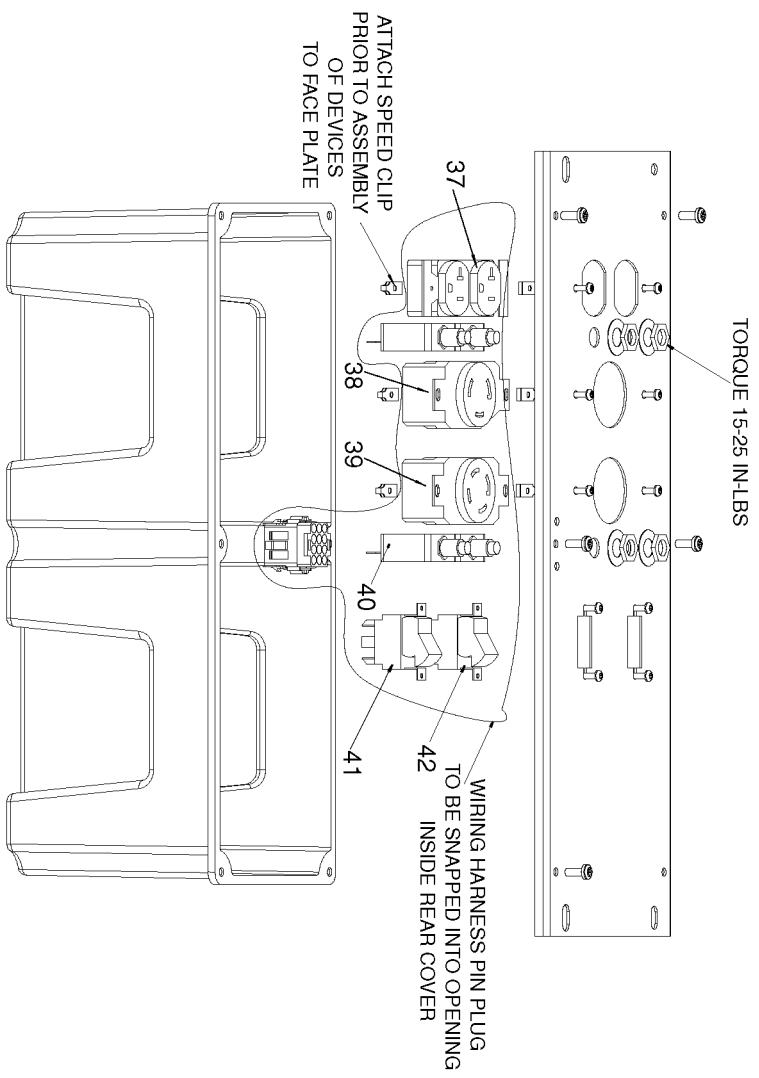
36 TORQUE TO 60-70 IN-LBS



CAPACITOR WIRING

SHOWN FOR REFERENCE ONLY

SHOWN FOR REFERENCE ONLY



Parts List for GBV5000 Type 1

| Item Number | Part Number | Description | Qty Required |
|-------------|-------------|----------------------|--------------|
| 1 | 91895680 | SCREW .250-20X.750 H | 1 |
| 2 | Z-GS-0795 | TANK FUEL 7G SS | 1 |
| 3 | GS-0443 | CAP FUEL TANK | 1 |
| 4 | 000000-00 | No Longer Available | 1 |
| 5 | 000000-00 | No Longer Available | 1 |
| 6 | GS-0077 | COVER END BLANK | 1 |
| 7 | SSF-553-1 | SCREW #10-24X.563 TH | 1 |
| 8 | Z-A14582 | HOSE FUEL | 1 |
| 9 | GS-0227 | CLAMP FUEL .50 | 1 |
| 10 | 95829230 | SCREW .313-18X1.50 H | 1 |
| 11 | 000000-00 | No Longer Available | 1 |
| 12 | GS-0117 | LUG GROUND | 1 |
| 13 | 95829230 | SCREW .313-18X1.50 H | 1 |
| 14 | 000000-00 | No Longer Available | 1 |
| 15 | SS-12-CD | SCREW .313-18X.750 H | 1 |
| 16 | GS-0118 | STRAP GROUND | 1 |
| 17 | N017772 | LOCK WASHER | 1 |
| 18 | SSF-8150 | NUT .312-18 UNC HEX | 1 |
| 19 | GS-0433 | ISOLATOR | 1 |
| 19 | GS-0433 | ISOLATOR | 1 |
| 20 | 000000-00 | No Longer Available | 1 |
| 21 | 91895680 | SCREW .250-20X.750 H | 1 |
| 22 | GS-0456 | DRAIN COCK GBV5000 | 1 |
| 23 | N103455 | GROMMET | 1 |
| 24 | SSN-619 | WASHER .375 SPRING L | 1 |
| 25 | 5140125-93 | SCREW | 1 |
| 26 | 000000-00 | No Longer Available | 1 |

Parts List for GBV5000 Type 1

| Item Number | Part Number | Description | Qty Required |
|-------------|-------------|----------------------|--------------|
| 26 | D29822 | KIT SERVICE FOCUS MO | 1 |
| 27 | GS-0110 | BOLT STATOR THRU 130 | 1 |
| 28 | 000000-00 | No Longer Available | 1 |
| 28 | D29822 | KIT SERVICE FOCUS MO | 1 |
| 29 | 330016-13 | WASHER | 1 |
| 30 | SSF-576 | NUT .313-24 HEX W/KE | 1 |
| 31 | GS-0091-1 | BOLT ROTOR THRU 130L | 1 |
| 32 | 000000-00 | No Longer Available | 1 |
| 33 | SSF-575 | NUT .250-20 HEX W/KE | 1 |
| 34 | GS-0104 | CAPACITOR 50 UF | 1 |
| 35 | SSF-553-1 | SCREW #10-24X.563 TH | 1 |
| 37 | GS-0019 | RECEPTACLE 120V 20A | 1 |
| 38 | GS-0480 | RECEPTACLE 125V 20A | 1 |
| 39 | GS-0445 | RECEPTACLE 4 PRONG T | 1 |
| 40 | D21508 | BREAKER CIRCUIT | 1 |
| 41 | GS-0045 | SWITCH FULL POWER | 1 |
| 42 | GS-0046 | SWITCH OFF - ON / ST | 1 |
| 43 | 000000-00 | No Longer Available | 1 |
| 856 | 000000-00 | No Longer Available | 1 |
| 856 | 000000-00 | No Longer Available | 1 |
| 856 | 000000-00 | No Longer Available | 1 |
| 856 | GS-0862 | O-RING ROTOR BEARING | 1 |
| 856 | GS-0082 | DIODE DSA | 1 |