

Illustration - Type - E

0 601 B23 503  
 Stand } 04-01  
 Issue } 09-08-31

Fig./Abb. 1

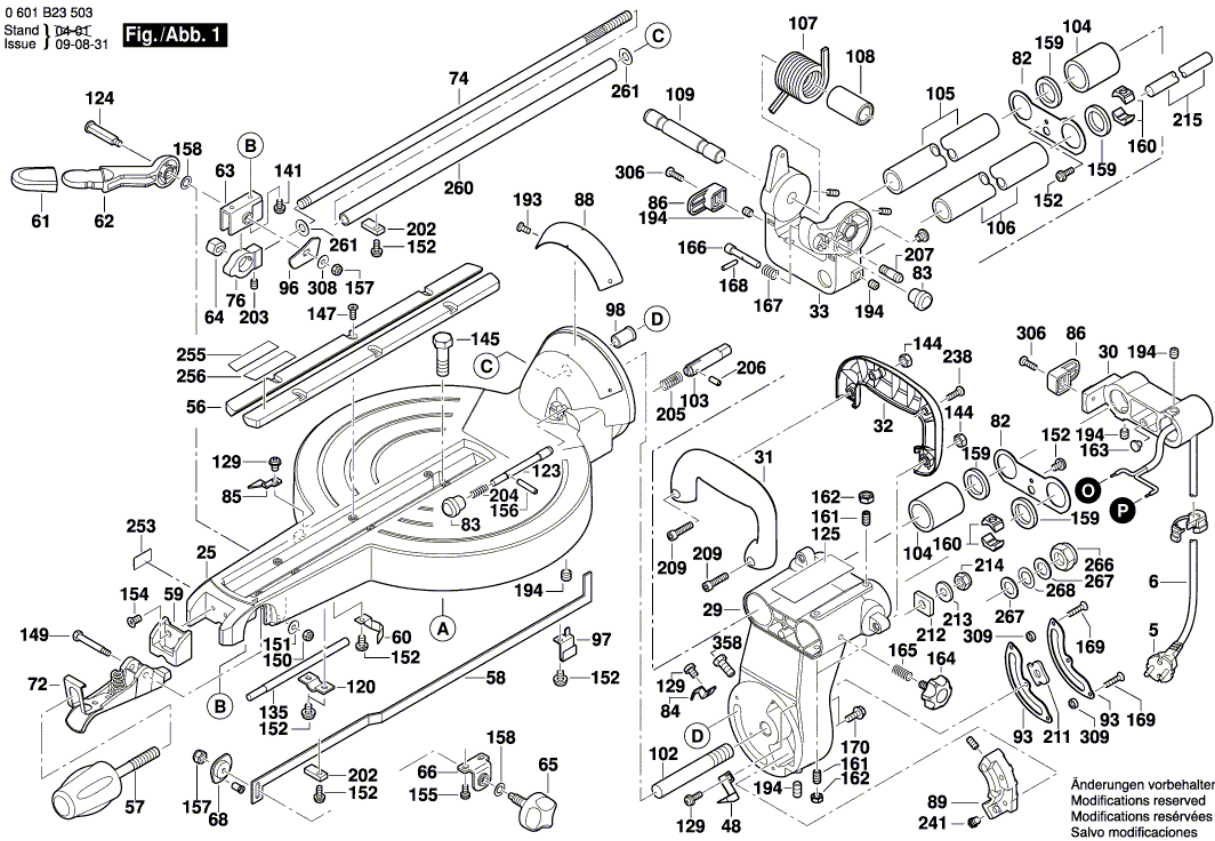
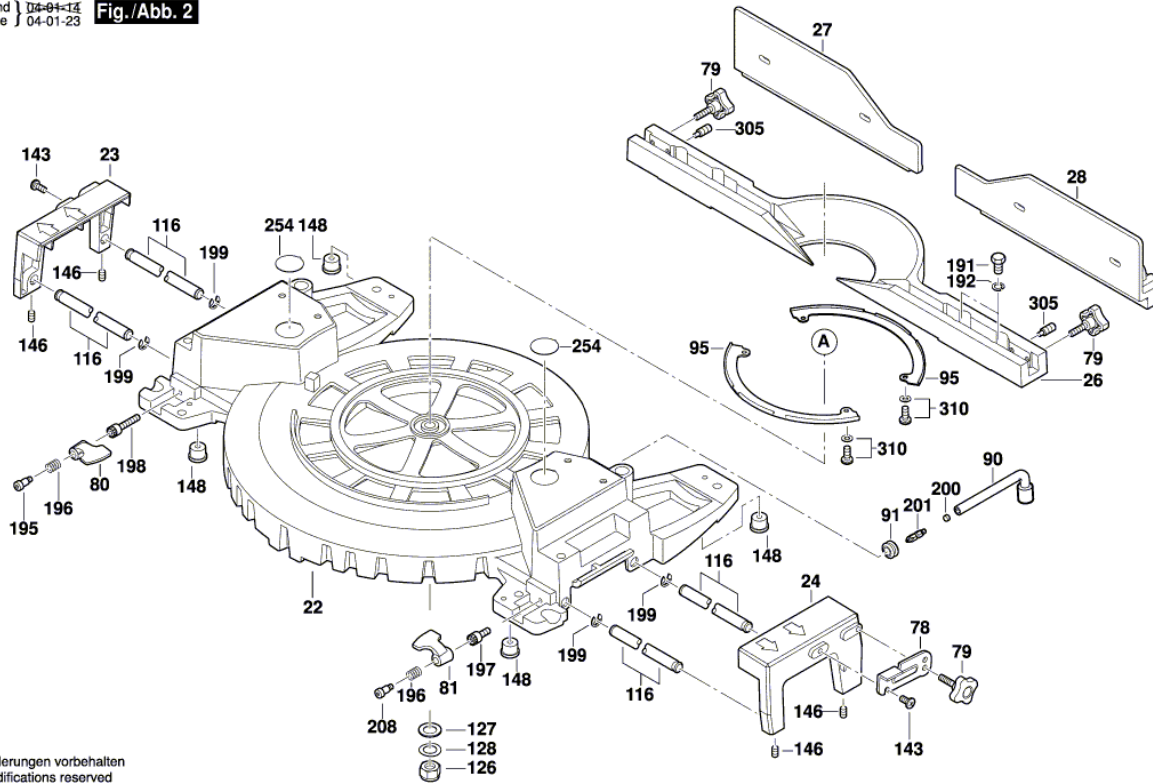


Illustration - Type - E

0 601 B23 503  
 Stand | 04-14  
 Issue | 04-01-23 **Fig./Abb. 2**



Änderungen vorbehalten  
 Modifications reserved  
 Modifications réservées  
 Salvo modificaciones

Illustration - Type - E

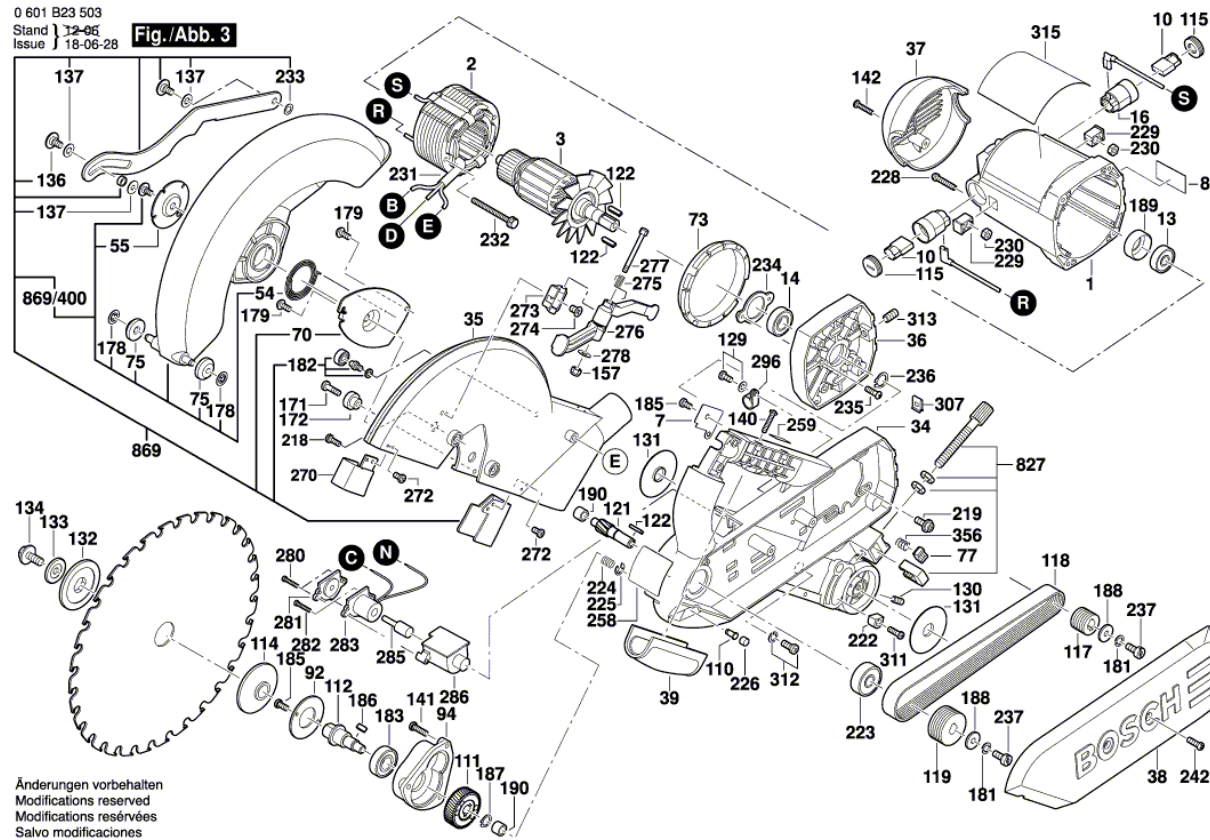


Illustration - Type - E

0 601 B23 503  
 Stand } 05-06  
 Issue } 10-02-25

Fig./Abb. 4

