

## Slide Mitre Saw - 3 601 F65 010 - GCM12SD

[www.powertools-aftersaleservice.com](http://www.powertools-aftersaleservice.com)



**BOSCH**

Item	Part Number	Description	Illustration	Price	Quantity	Price Group
2	1 609 B00 474	Field 115V	5	-,-	1	43
4	2 610 950 336	Switch	4	-,-	1	28
5	1 609 B00 400	Power supply cord	4	-,-	1	-
8	1 609 B00 552	Nameplate	5	-,-	1	-
13	1 609 B00 597	Bearing	5	-,-	1	22
31	1 609 B00 201	Wear Plate	2	-,-	1	18
32	1 609 B00 203	Pivot	4	-,-	1	-
33	1 609 B00 204	Torsion Spring	4	-,-	1	25
34	1 609 B00 205	Bushing	4	-,-	1	12
35	1 609 B00 206	Wear Plate	4	-,-	2	11
36	1 609 B00 207	Belt	4	-,-	1	32
37	1 609 B00 208	Flange	4	-,-	1	23
39	1 609 B00 210	Flange	4	-,-	1	15
41	1 609 B00 211	Flange Bolt	4	-,-	1	16
42	1 609 B00 212	Washer	3	-,-	1	10
43	1 609 B00 213	Flange Bolt	4	-,-	4	10
45	1 609 B00 222	Sliding Plate	1	-,-	1	22
46	1 609 B00 223	Screw	1	-,-	2	11
47	1 609 B00 225	Nut	1	-,-	4	15
48	1 609 B00 226	Sliding Plate	1	-,-	1	15
49	1 609 B01 431	Supporting foot	1	-,-	4	12
51	1 609 B00 228	Extension Stand	1	-,-	1	32
52	1 609 B00 229	Extension Stand	1	-,-	1	31
53	1 609 B00 230	Extension Shaft	1	-,-	2	21
54	1 609 B00 231	Extension Shaft	1	-,-	1	21
55	1 609 B00 232	Locking Lever	1	-,-	1	10
56	1 609 B00 233	Locking Lever	1	-,-	1	10
57	1 609 B00 234	Screw	1	-,-	1	16
58	1 609 B00 235	Screw	1	-,-	1	16
59	1 609 B00 236	Shoulder Screw	1	-,-	1	11
61	1 609 B00 237	Compression Spring	1	-,-	2	10
62	1 609 B00 238	Shoulder Screw	1	-,-	1	11
63	1 609 B00 240	Mitre Fence	1	-,-	1	-

Item	Part Number	Description	Illustration	Price	Quantity	Price Group
64	1 609 B00 241	Mitre Fence	1	-,-	1	-
65	1 609 B00 242	Parallel-Guide	1	-,-	1	-
66	1 609 B00 243	Parallel-Guide	1	-,-	1	-
67	1 609 B00 244	Clamping Sleeve	1	-,-	2	15
68	1 609 B00 245	Locking Lever	1	-,-	1	12
69	1 609 B00 246	Locking Lever	1	-,-	1	11
71	1 609 B00 247	Bolt	1	-,-	1	11
72	1 609 B00 248	Bolt	1	-,-	1	10
73	1 609 B00 249	Compression Spring	1	-,-	2	11
74	1 609 B00 250	Plate	1	-,-	1	10
75	1 609 B00 251	Plate	1	-,-	1	10
76	1 609 B00 252	Shoulder Screw	1	-,-	2	11
77	1 609 B00 253	Compression Spring	1	-,-	2	11
78	1 609 B00 254	Scale	1	-,-	1	31
79	1 609 B00 255	Clamp Spring	1	-,-	1	10
81	1 609 B00 256	Wrench Socket	1	-,-	1	12
83	1 609 B00 272	Support Plate	2	-,-	2	-
84	1 609 B00 273	Shaft	2	-,-	1	19
85	1 609 B00 274	Knob	2	-,-	1	-
86	1 609 B00 275	Cover	2	-,-	1	13
87	1 609 B00 276	Rod	2	-,-	1	22
88	1 609 B00 277	Support bracket	2	-,-	1	13
89	1 609 B00 278	Sliding Block	2	-,-	1	17
91	1 609 B00 279	Sliding Block	2	-,-	1	23
92	1 609 B00 280	Compression Spring	2	-,-	1	10
93	1 609 B00 281	Compression Spring	2	-,-	1	10
94	1 609 B00 282	Sliding Plate	2	-,-	1	10
95	1 609 B00 283	Cover	2	-,-	1	11
96	1 609 B00 284	Knob	2	-,-	1	13
97	1 609 B00 285	Support bracket	2	-,-	1	12
98	1 609 B00 286	Cam	2	-,-	1	19
99	1 609 B00 287	Linkage	2	-,-	1	23
101	1 609 B00 289	Guide Bracket	2	-,-	1	10
103	1 609 B00 291	Compression Spring	2	-,-	1	10
104	1 609 B00 292	Locking Lever	2	-,-	1	24
105	1 609 B00 293	Lever Shaft	2	-,-	1	18
106	1 609 B00 294	Cam	2	-,-	1	11
107	1 609 B00 295	Support bracket	2	-,-	1	21
108	1 609 B00 296	Support bracket	2	-,-	1	18
109	1 609 B00 297	Tension Rod	2	-,-	1	24
111	1 609 B00 298	Tube	2	-,-	1	26
112	1 609 B00 299	Guide Bracket	2	-,-	1	10
114	1 609 B00 301	Cover	2	-,-	1	11
115	1 609 B00 302	Detent Pin	2	-,-	1	15
116	1 609 B00 303	Compression Spring	2	-,-	1	10
117	1 609 B00 304	Locking Lever	2	-,-	1	18
118	1 609 B00 305	Bolt	2	-,-	1	13
119	1 609 B00 306	Compression Spring	2	-,-	1	10
122	1 609 B00 308	Pin	2	-,-	1	11
123	1 609 B00 309	Torsion Spring	2	-,-	1	10
124	1 609 B00 310	Pointer	2	-,-	1	12
125	1 609 B00 311	Scale	2	-,-	1	14
126	1 609 B00 312	Plate	2	-,-	1	13

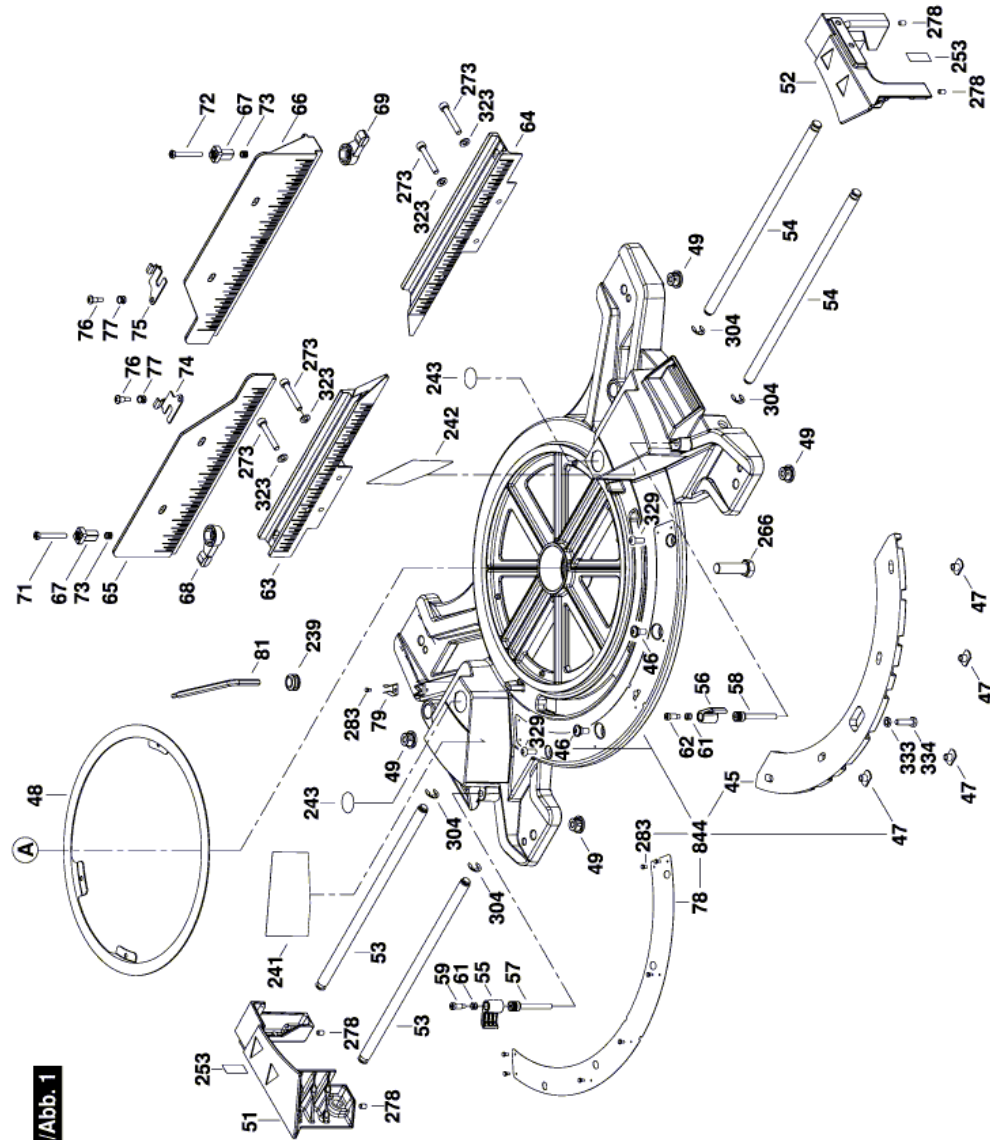
Item	Part Number	Description	Illustration	Price	Quantity	Price Group
129	1 609 B00 331	Hinge	3	-,-	1	46
134	1 609 B00 335	Hinge	3	-,-	1	37
136	1 609 B00 337	Shaft	3	-,-	3	24
137	1 609 B00 338	Shaft	3	-,-	2	23
138	1 609 B00 339	Cable Clip	3	-,-	2	12
142	1 609 B00 342	Bolt	3	-,-	1	13
143	1 609 B00 343	Bushing	3	-,-	5	17
144	1 609 B00 345	Locking Lever	3	-,-	1	23
145	1 609 B00 346	Clamp Spring	3	-,-	1	11
146	1 609 B00 347	Adjusting bolt	3	-,-	1	10
147	1 609 B00 348	Plate	3	-,-	1	15
148	1 609 B00 349	Shoulder Screw	3	-,-	3	11
149	1 609 B00 350	Knob	3	-,-	1	11
151	1 609 B00 351	Shoulder Screw	3	-,-	1	10
152	1 609 B00 352	Detent	3	-,-	1	-
153	1 609 B00 353	Retaining Plate	3	-,-	1	11
154	1 609 B00 354	Retaining Plate	3	-,-	1	11
155	1 609 B00 355	Brake Plate	3	-,-	1	11
156	1 609 B00 356	Spacer	3	-,-	3	10
157	1 609 B00 357	Pointer	3	-,-	1	12
158	1 609 B00 358	Pointer	3	-,-	1	12
159	1 609 B00 359	Adjusting bolt	3	-,-	1	11
161	1 609 B00 361	Support bracket	3	-,-	1	11
162	1 609 B00 362	Bumper	3	-,-	1	12
163	1 609 B00 363	Shoulder Screw	3	-,-	1	16
164	1 609 B00 364	Shaft	3	-,-	1	20
167	1 609 B00 367	Screw	3	-,-	1	12
168	1 609 B00 368	Rubber Plug	3	-,-	1	11
169	1 609 B00 369	Rubber Plug	3	-,-	1	11
172	1 609 B00 382	Knob RED	4	-,-	1	17
174	1 609 B00 384	Gear Cover	4	-,-	1	12
175	1 609 B00 385	Output Shaft	4	-,-	1	24
176	1 609 B00 386	Gear	4	-,-	1	31
177	1 609 B00 387	Pinion	4	-,-	1	28
178	1 609 B00 388	Pulley	4	-,-	1	24
179	1 609 B00 389	Belt Cover	4	-,-	1	29
181	1 609 B00 390	Button	4	-,-	1	11
182	1 609 B00 391	Locking Pin	4	-,-	1	12
183	1 609 B00 392	Compression Spring	4	-,-	1	10
186	1 609 B00 395	Trigger	4	-,-	1	-
187	1 609 B00 396	Button	4	-,-	1	-
188	1 609 B00 397	Button	4	-,-	1	-
189	1 609 B00 398	Compression Spring	4	-,-	1	-
191	1 609 B00 399	Linkage	4	-,-	1	-
192	1 609 B00 401	Clamp	4	-,-	1	-
193	1 609 B00 405	Clamp	4	-,-	1	-
194	1 609 B00 417	Compression Spring	4	-,-	1	10
195	1 609 B00 418	Sleeve	4	-,-	2	10
196	1 609 B00 419	Rubber Pad	4	-,-	1	10
197	1 609 B00 430	Connector	4	-,-	1	10
198	1 609 B00 441	Safety Cover	5	-,-	1	-
203	1 609 B00 445	Safety Cover	5	-,-	1	-
204	1 609 B00 447	Linkage	5	-,-	1	-

Item	Part Number	Description	Illustration	Price	Quantity	Price Group
205	1 609 B00 448	Shoulder Screw	5	-,-	1	14
206	1 609 B00 449	Bushing	5	-,-	1	10
207	1 609 B00 450	Cover	5	-,-	1	12
211	1 609 B00 453	Screw	5	-,-	1	16
212	1 609 B00 454	Screw	5	-,-	5	10
213	1 609 B00 455	Bushing	5	-,-	1	10
214	1 609 B00 456	Bumper	5	-,-	1	-
215	1 609 B00 457	Washer	5	-,-	1	10
216	1 609 B00 458	Quick-Lock	5	-,-	2	10
218	1 609 B00 460	Bushing	5	-,-	1	10
219	1 609 B00 471	Mounting Plate	5	-,-	1	32
221	1 609 B00 473	Housing Cover	5	-,-	1	-
222	1 609 B00 476	Baffle	5	-,-	1	15
223	1 609 B00 478	Brush-Cover	5	-,-	2	10
224	1 609 B00 479	Insert	5	-,-	2	10
225	1 609 B00 480	Rubber Bushing	5	-,-	1	12
226	1 609 B00 483	Bearing Plate	5	-,-	1	11
228	1 609 B00 501	Chute	5	-,-	1	24
229	1 609 B00 502	Rubber Plate	5	-,-	1	16
231	1 609 B00 505	Connector	5	-,-	1	22
232	1 609 B00 506	Dust Bag	5	-,-	1	24
235	1 609 B00 523	Rubber Pad	5	-,-	1	13
238	1 609 B01 538	Cable Tape	4	-,-	1	10
239	1 609 B00 533	Rubber Bushing	1	-,-	1	10
241	1 609 B00 541	Warning Label	1	-,-	1	-
242	1 609 B00 542	Warning Plate	1	-,-	1	13
243	1 609 B00 543	Warning Plate	1	-,-	2	13
244	1 609 B00 544	Label	2	-,-	1	-
245	1 609 B00 546	Label	2	-,-	1	-
246	1 609 B00 547	Sticker	2	-,-	1	13
247	1 609 B00 548	Sticker	2	-,-	1	-
248	1 609 B00 549	Warning Plate	3	-,-	3	13
249	1 609 B00 550	Sticker	4	-,-	1	13
251	1 609 B00 551	Label	4	-,-	1	-
252	1 609 B00 553	Sticker	5	-,-	1	-
253	1 609 B00 554	Label	1	-,-	2	-
255	1 609 B00 582	Clip	4	-,-	1	10
256	1 609 B00 583	Shrinkable Tube	4	-,-	1	10
257	1 609 B00 592	Key	4	-,-	1	11
258	1 609 B00 593	Key	4	-,-	1	11
259	1 609 B00 594	Ball	3	-,-	1	10
262	1 609 B00 599	Bearing	4	-,-	1	25
263	1 609 B00 596	Bearing	4	-,-	1	25
265	1 609 B00 601	O-Ring	3	-,-	1	11
266	1 609 B00 602	Bolt	1	-,-	1	11
267	1 609 B00 603	Lock Nut	2	-,-	1	10
268	1 609 B00 604	Lock Nut	3	-,-	1	11
269	1 609 B00 605	Lock Nut	2	-,-	3	10
271	1 609 B00 608	Lock Nut	2	-,-	1	10
272	1 609 B00 609	Bolt	3	-,-	2	11
273	1 609 B00 610	Screw	1	-,-	4	11
274	1 609 B00 612	Screw	3	-,-	5	10
275	1 609 B00 614	Set screw	2	-,-	1	10

Item	Part Number	Description	Illustration	Price	Quantity	Price Group
276	1 609 B00 615	Set screw	4	-,-	2	12
277	1 609 B00 616	Set screw	2	-,-	1	11
278	1 609 B00 617	Set screw	1	-,-	4	11
279	1 609 B00 618	Set screw	4	-,-	2	11
281	1 609 B00 620	Set screw	3	-,-	3	11
282	1 609 B00 621	Set screw	2	-,-	1	11
283	1 609 B00 622	Rivet	1	-,-	10	10
284	1 609 B00 623	Screw	3	-,-	4	10
285	1 609 B00 624	Screw	3	-,-	2	10
286	1 609 B00 625	Screw	4	-,-	4	10
287	1 609 B00 628	Screw	5	-,-	4	10
288	1 609 B00 627	Screw	2	-,-	6	12
289	1 609 B00 630	Screw	3	-,-	3	10
292	1 609 B00 631	Screw	4	-,-	1	11
293	1 609 B00 632	Screw	4	-,-	3	11
294	1 609 B00 633	Screw	4	-,-	2	10
295	1 609 B00 634	Screw	2	-,-	4	10
296	1 609 B00 636	Tapping Screw	3	-,-	6	11
297	1 609 B00 637	Tapping Screw	4	-,-	3	10
298	1 609 B00 638	Spring Pin	2	-,-	1	10
301	1 609 B00 641	Retaining ring	4	-,-	1	11
302	1 609 B00 642	Retaining ring	2	-,-	2	10
303	1 609 B00 643	Retaining ring	4	-,-	1	10
304	1 609 B00 644	Retaining ring	1	-,-	3	11
305	1 609 B00 645	Screw	2	-,-	2	10
306	1 609 B00 647	Screw	2	-,-	9	11
307	1 609 B00 649	Screw	5	-,-	2	10
308	1 609 B00 650	Screw	4	-,-	1	10
309	1 609 B00 652	Screw	4	-,-	3	10
310	1 609 B00 653	Screw	4	-,-	3	10
311	1 609 B00 654	Screw	4	-,-	4	10
312	1 609 B00 655	Screw	5	-,-	4	10
313	1 609 B00 656	Screw	5	-,-	2	11
315	1 609 B00 658	Spring Washer	2	-,-	1	10
316	1 609 BP7 042	Washer	3	-,-	1	10
317	1 609 B00 661	Washer	3	-,-	2	10
318	1 609 B00 662	Washer	4	-,-	1	11
320	1 609 B00 664	Washer	2	-,-	4	10
321	1 609 B00 665	Washer	2	-,-	1	10
322	1 609 B00 667	Washer	2	-,-	1	10
323	1 609 B00 669	Washer	1	-,-	5	10
324	1 609 B00 670	Washer	2	-,-	1	11
325	1 609 B00 672	Lock Nut	3	-,-	1	10
326	1 609 B00 673	Lock Nut	2	-,-	2	11
327	1 609 B00 674	Washer	3	-,-	1	10
328	1 609 B02 105	Washer	5	-,-	1	10
329	1 609 B00 678	Screw	1	-,-	1	10
330	1 609 B00 680	Screw	3	-,-	1	10
331	1 609 B00 681	Thrust Bearing	3	-,-	1	18
332	1 609 B00 682	Screw	3	-,-	3	10
333	1 609 B00 685	Nut	1	-,-	1	10
334	1 609 B02 367	Supporting foot	1	-,-	1	11
335	1 609 B00 687	Retaining ring	5	-,-	1	10

Item	Part Number	Description	Illustration	Price	Quantity	Price Group
336	1 609 B00 688	Washer	5	-,-	1	10
337	1 609 B00 689	Screw	3	-,-	2	11
338	2 610 919 073	Brake Plate	3	-,-	1	21
339	2 610 919 281	Washer	3	-,-	4	15
340	1 609 BP7 124	Roller	5	-,-	2	11
341	1 609 B00 370	Shaft	3	-,-	1	11
342	1 609 B00 690	Retaining ring	3	-,-	1	10
343	1 609 B00 691	Nut	3	-,-	1	12
345	1 609 B00 288	Washer	2	-,-	1	10
346	1 609 B00 344	Clamping Band	3	-,-	1	13
348	1 609 B00 371	Shoulder Screw	3	-,-	1	14
351	1 609 B00 446	Cord guard	5	-,-	1	15
353	1 609 B00 406	Sticker	3	-,-	1	11
354	1 609 B00 676	Washer	2	-,-	1	11
801	1 609 B02 302	Motor Housing	5	-,-	1	37
802	1 609 B02 310	Detent Pin	2	-,-	1	19
803	1 609 B02 313	Armature 115V	5	-,-	1	48
810	1 609 B02 314	Carbon-Brush Set	5	-,-	1	20
817	1 609 B02 301	Plate	5	-,-	1	-
827	1 609 B02 316	Bearing	5	-,-	1	27
828	1 609 B02 311	Button	2	-,-	1	-
831	1 609 B02 303	Hinge	3	-,-	1	43
832	1 609 B02 304	Hinge	3	-,-	1	41
833	1 609 B02 305	Hinge	3	-,-	1	42
834	1 609 B02 315	Adjustable screw clamp	5	-,-	1	31
835	1 609 B02 306	Hinge	3	-,-	1	42
844	1 609 B02 312	Base	1	-,-	1	-
871	1 609 B02 308	Arm	4	-,-	1	-
873	1 609 B02 307	Gear Box	4	-,-	1	33
882	1 609 B02 309	Table	2	-,-	1	52
885	1 609 B00 202	Handle	4	-,-	1	29
899	1 609 B02 317	Protective Cover	5	-,-	1	-

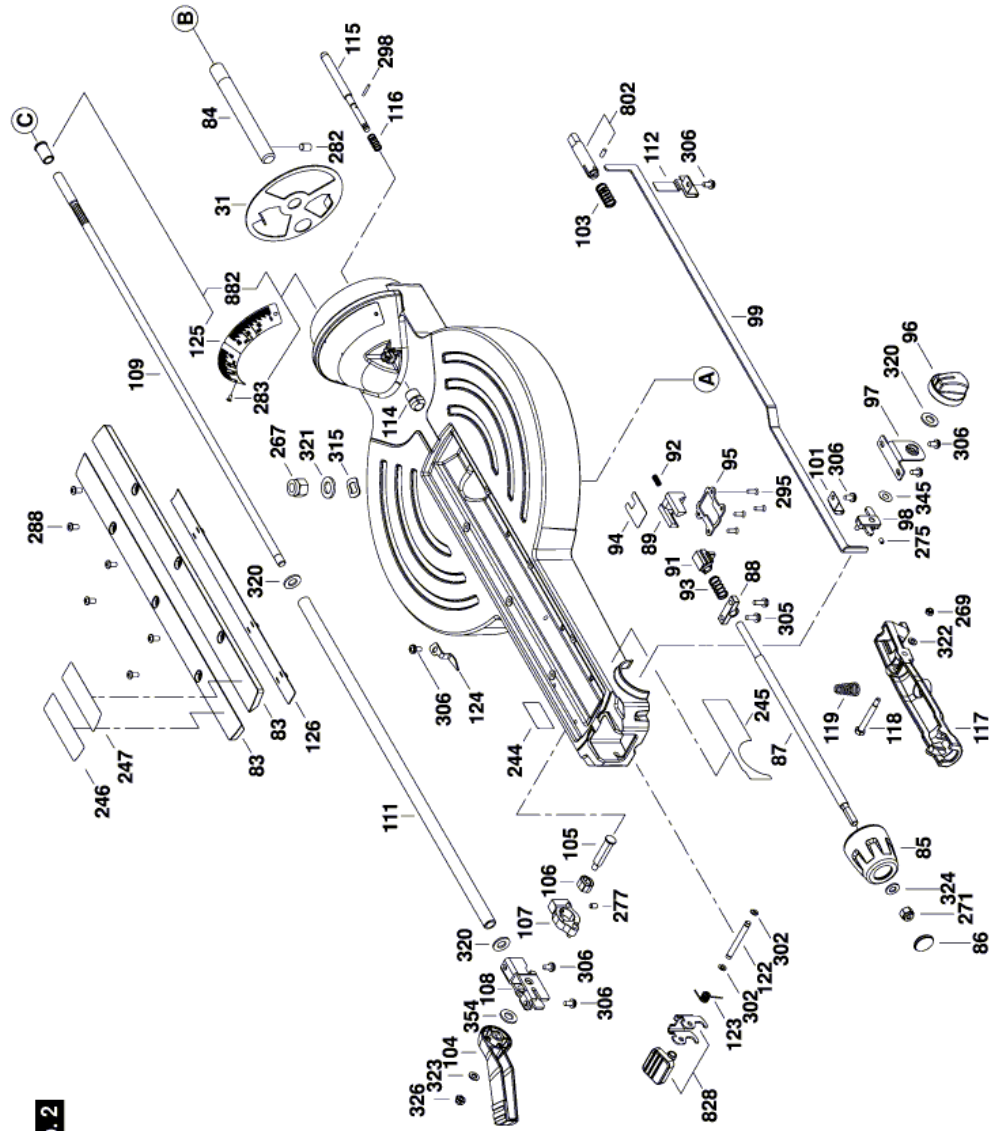
Illustration - Type E



3601 F65 010  
 Stand }  
 Issue } 10-09-28  
**Fig. /Abb. 1**

Änderungen vorbehalten  
 Modifications reserved  
 Modifications réservées  
 Salvo modificaciones

Illustration - Type E

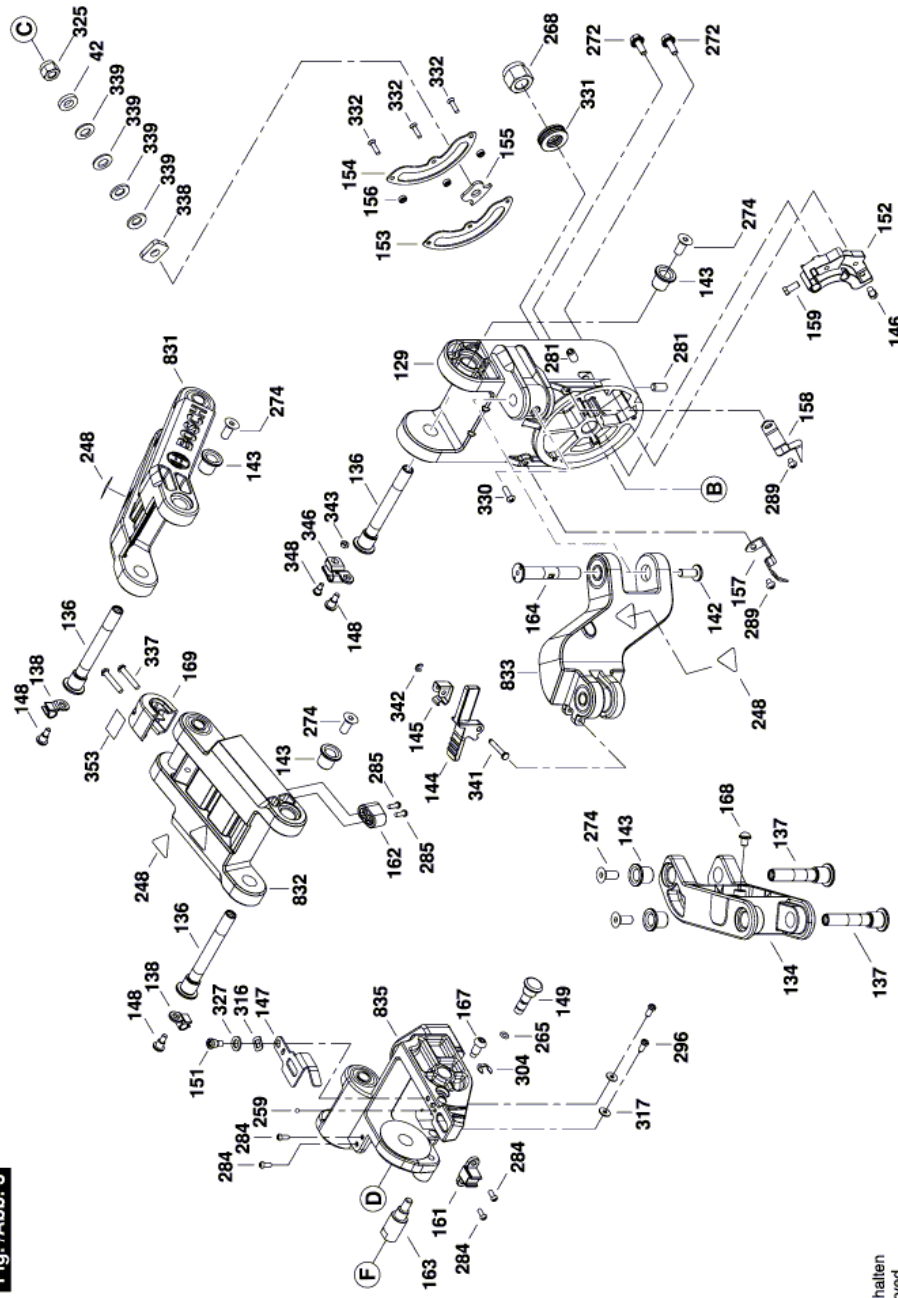


3 601 F65 010  
 Stand } 10-09-28  
 Issue } **Fig./Abb. 2**

Änderungen vorbehalten  
 Modifications reserved  
 Modifications réservées  
 Salvo modificaciones



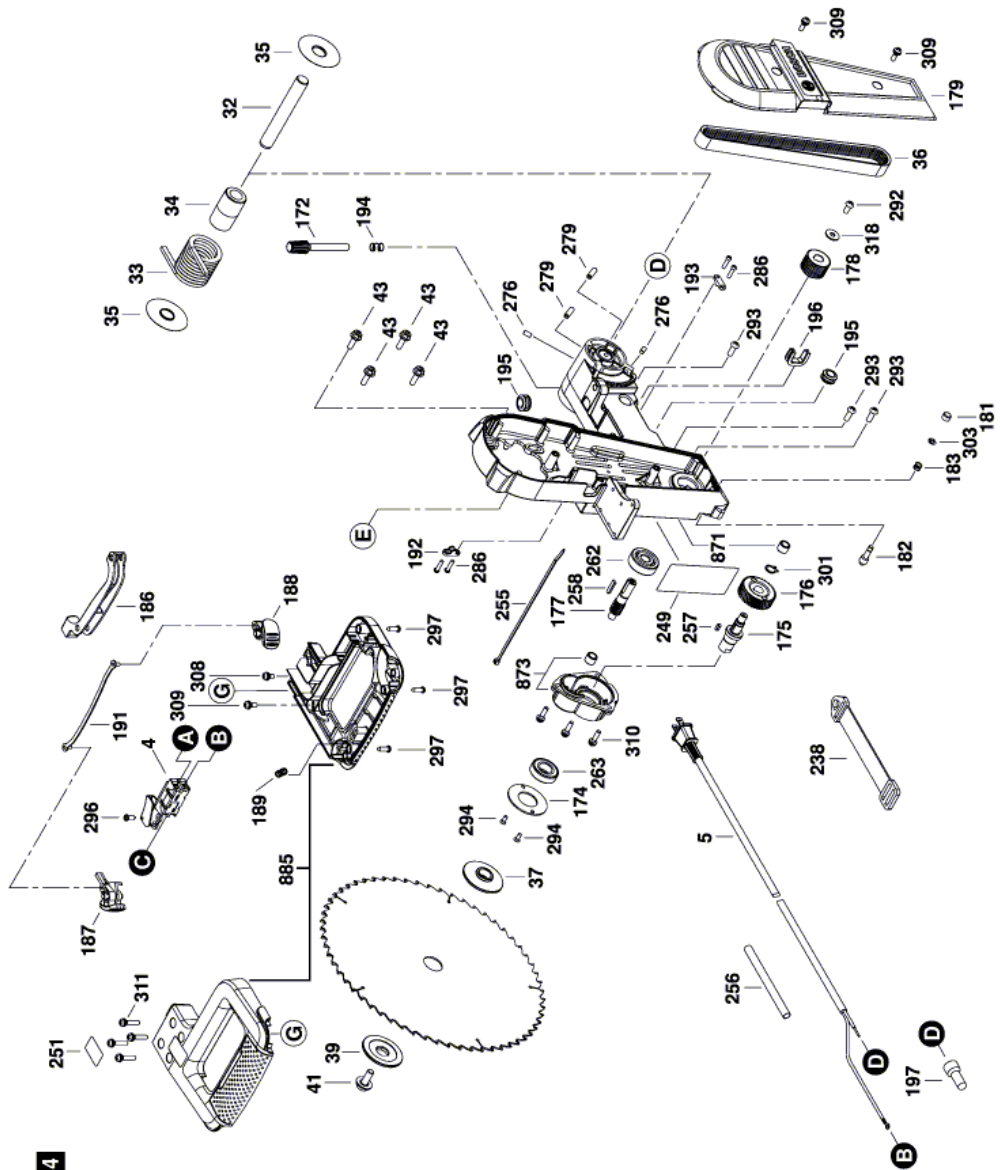
Illustration - Type E



3 601 F65 010  
 Stand } 14-02  
 Issue } 14-10-28  
**Fig./Abb. 3**

Änderungen vorbehalten  
 Modifications reserved  
 Modifications réservées  
 Salvo modificaciones

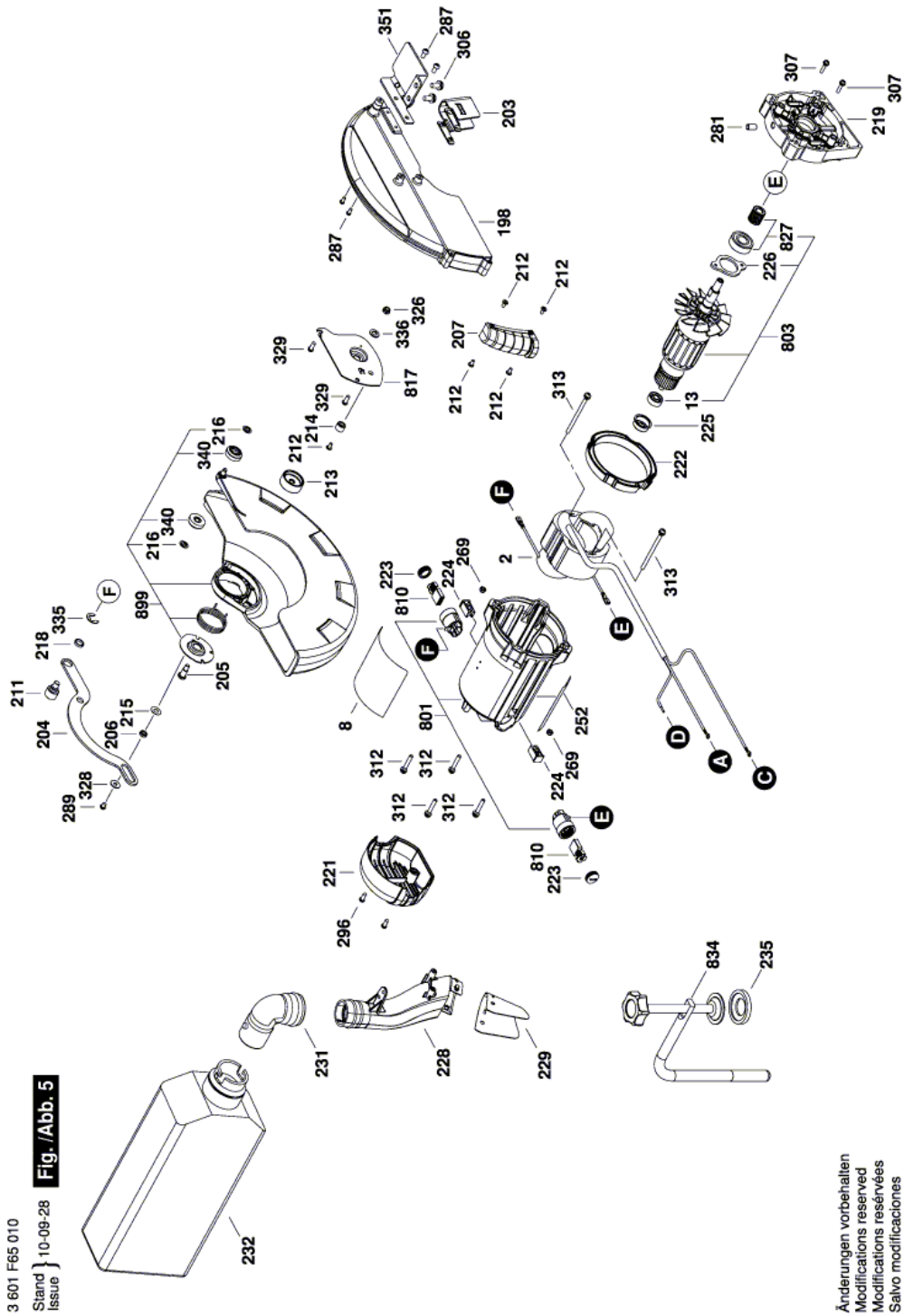
Illustration - Type E



3601 F65 010  
 Stand } 10-09  
 Issue } 16-10-26  
**Fig. /Abb. 4**

Änderungen vorbehalten  
 Modifications reserved  
 Modificaciones reservées  
 Salvo modificaciones

Illustration - Type E



Information subject to change without further notice.