



BOSCH

Compound Mitre Saw

GCM18V-07S | 3 601 M46 010

Table of Content

Spare parts list.....	2
Illustration - Type.....	7

Compound Mitre Saw | GCM18V-07S | 3 601 M46 010

Spare parts list

Item	Part Number	Description	Illustration
8	1 609 B07 383	Base	1
9	1 609 B07 384	Scale	1
10	1 609 B07 385	Screw	1
11	1 609 B07 145	Grommet	1
12	1 609 B07 146	Wrench Socket	1
13	2 610 358 846	Rubber Bushing	1
38	1 609 B07 400	Wear Plate	1
39	1 609 B07 171	Bolt	1
154	1 609 B07 325	Warning Label	1
155	1 609 B07 476	Warning Label	1
156	1 609 B07 477	Warning Label	1
157	1 609 B07 516	Warning Label	1
159	1 609 B07 517	Warning Label	1
14	1 609 B07 387	Saw Table	2
15	1 609 B07 388	Shaft	2
16	1 609 B07 337	Threaded Rod	2
17	1 609 B07 389	Set screw	2
18	1 609 B07 390	Sliding Rod	2
19	1 609 B07 391	Leaf Spring	2
20	1 609 B07 157	Guide Bracket	2
21	1 609 B07 392	Screw	2
22	1 609 B07 393	Compression Spring	2
23	1 609 B07 166	Screw	2
24	1 609 B07 394	Locking Lever	2
25	1 609 B07 395	Pin	2
26	1 609 B07 155	Screw	2
27	1 609 B07 396	Locking Bar	2
28	1 609 B07 185	Shoulder Screw	2
29	1 609 B07 186	Nut	2
30	1 609 B07 281	Spring Clip	2
31	1 609 B07 282	Ball	2
32	1 609 B07 398	Turret	2
33	1 609 B07 284	Plain Washer	2
34	1 609 B07 285	Wave spring	2
35	1 609 B07 286	Tapping Screw	2

Compound Mitre Saw | GCM18V-07S | 3 601 M46 010**Spare parts list**

Item	Part Number	Description	Illustration
36	1 609 B07 399	Pointer	2
37	1 609 B07 197	Screw	2
40	1 609 B07 172	Plain Washer	2
41	1 609 B07 173	Nut	2
42	1 609 B07 401	Support Plate	2
43	1 609 B07 160	Screw	2
66	1 609 B07 418	Pointer	2
67	1 609 B07 419	Screw	2
139	1 609 B07 456	Mitre Fence	2
140	1 609 B07 505	Plate	2
141	1 609 B07 141	Screw	2
142	1 609 B07 457	Screw	2
147	1 609 B07 458	Clamp	2
160	1 609 B07 518	Warning Label	2
161	1 609 B07 519	Warning Label	2
162	1 609 B07 522	Warning Label	2
163	1 609 B07 523	Warning Label	2
44	1 609 B07 402	Yoke	3
45	1 609 B07 403	Rail	3
46	1 609 B07 404	Rail	3
47	1 609 B07 405	Post	3
48	1 609 B07 406	Bearing	3
49	1 609 B07 407	Scale	3
50	1 609 B07 408	Plain Washer	3
51	1 609 B07 409	Felt	3
52	1 609 B07 410	Mounting Plate	3
53	1 609 B07 269	Screw	3
54	1 609 B07 411	Support bracket	3
55	1 609 B07 412	Hinge	3
56	2 610 950 110	Profile Rail	3
57	1 609 B07 413	Set screw	3
58	1 609 B07 202	Knob	3
59	2 610 911 582	Spring	3
60	2 610 911 584	Rubber Pad	3
61	1 609 B07 415	Plain Washer	3

Compound Mitre Saw | GCM18V-07S | 3 601 M46 010

Spare parts list

Item	Part Number	Description	Illustration
62	1 609 B07 416	Plain Washer	3
63	2 610 911 886	Self-locking nut	3
64	2 610 912 587	Plain Washer	3
65	1 609 B07 289	Handle Bar	3
68	1 609 B07 208	Detent Pin	3
69	1 609 B07 209	O-Ring	3
70	1 609 B07 210	Retaining ring	3
164	1 609 B07 488	Screw	3
1	1 600 A02 3K3	Rotor	4
2	1 600 A02 6W6	Stator	4
3	1 609 B07 428	Motor Housing	4
4	1 607 233 5NG	Electronics Module	4
5	2 607 202 554	Switch	4
6	1 600 A02 6SD	Battery Holder	4
83	1 609 B07 427	Ball Bearing	4
84	1 609 B07 195	Plain Washer	4
85	1 609 B07 429	Screw	4
86	1 609 B07 430	Baffle	4
87	1 609 B07 263	Screw	4
94	1 609 B07 251	Button	4
95	1 609 B07 252	Spring Clip	4
96	1 609 B07 253	Support bracket	4
97	1 609 B07 254	Screw	4
98	1 609 B07 255	Trigger	4
99	1 609 B07 432	Battery Holder	4
100	1 609 B07 248	Spring Clip	4
101	1 609 B07 358	LED-Module	4
102	1 609 B07 433	Lens	4
103	1 609 B07 434	Housing Cover	4
104	1 609 B07 435	Housing Cover	4
105	1 609 B07 436	Tapping Screw	4
106	1 609 B07 437	Tapping Screw	4
107	1 609 B07 438	Tapping Screw	4
109	1 609 B07 249	Screw	4
111	1 609 B07 257	Tapping Screw	4

Spare parts list

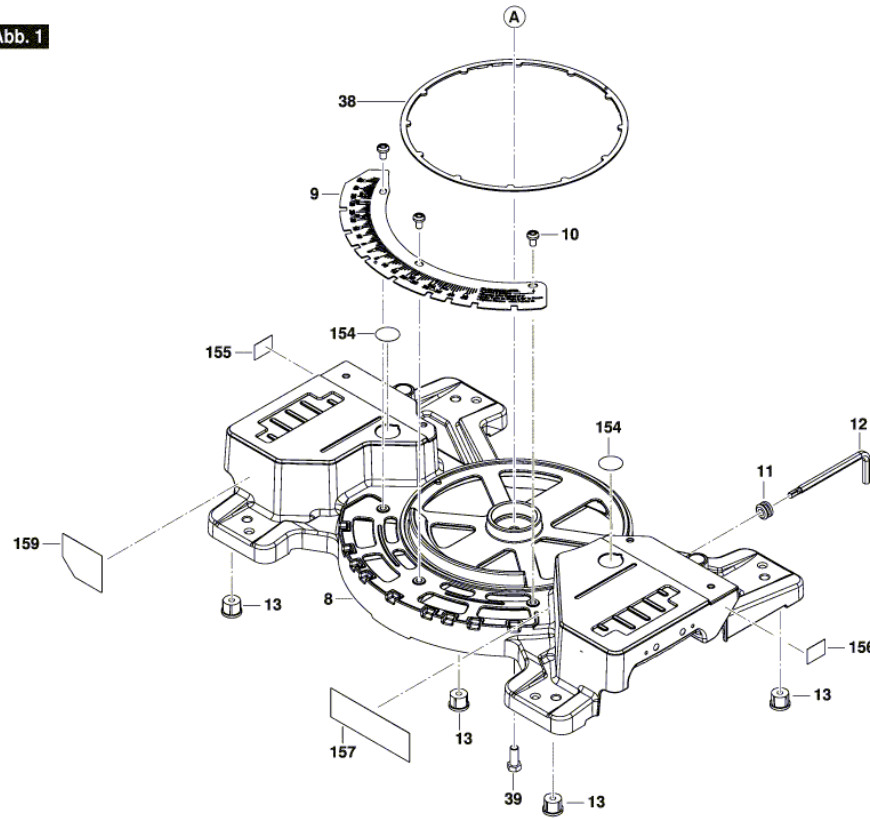
Item	Part Number	Description	Illustration
112	1 609 B07 366	Screw	4
113	1 609 B07 440	Tapping Screw	4
114	1 609 B07 441	Carrying Handle	4
115	1 609 B07 300	Screw	4
143	1 609 B07 323	Dust Bag	4
158	1 609 B07 484	Warning Label	4
887	1 607 000 EG9	Switch Handle	4
7	1 609 B07 459	Nameplate	5
71	1 609 B07 211	Wear Plate	5
72	1 609 B07 420	Safety Guard	5
73	1 609 B07 233	Needle bearing	5
74	1 609 B07 421	Pinion Shaft	5
75	1 609 B07 422	Ball Bearing	5
76	1 609 B07 353	Retaining ring	5
77	1 609 B07 423	Gear	5
78	2 610 911 923	Screw	5
79	1 609 B07 425	Spring Clip	5
80	1 609 B07 426	Pin	5
81	1 609 B07 241	Button	5
82	2 610 015 031	Spring retaining ring	5
88	1 609 B07 444	Spacer	5
89	1 609 B07 445	Torsion Spring	5
90	1 609 B07 446	Pivot Pin	5
91	1 609 B07 447	Set screw	5
92	1 609 B07 280	Screw	5
116	1 609 B07 443	Dust Extraction	5
117	1 609 B07 503	Screw	5
118	1 609 B07 267	Dust Extraction	5
119	1 609 B07 268	Dust Extraction	5
120	1 609 B07 270	Rivet	5
122	1 609 B07 448	Flange	5
123	1 609 B07 449	Flange Bolt	5
125	2 610 915 724	Roller	5
126	1 609 B07 316	Retaining ring	5
133	1 609 B07 454	Screw	5

Spare parts list

Item	Part Number	Description	Illustration
134	1 609 B07 455	Linkage	5
135	1 609 B07 312	Bushing	5
136	1 609 B07 319	Wave spring	5
137	1 609 B07 321	Screw	5
138	1 609 B07 243	Screw	5
829	1 607 000 EG6	Lower guard	5

Illustration - Type - E

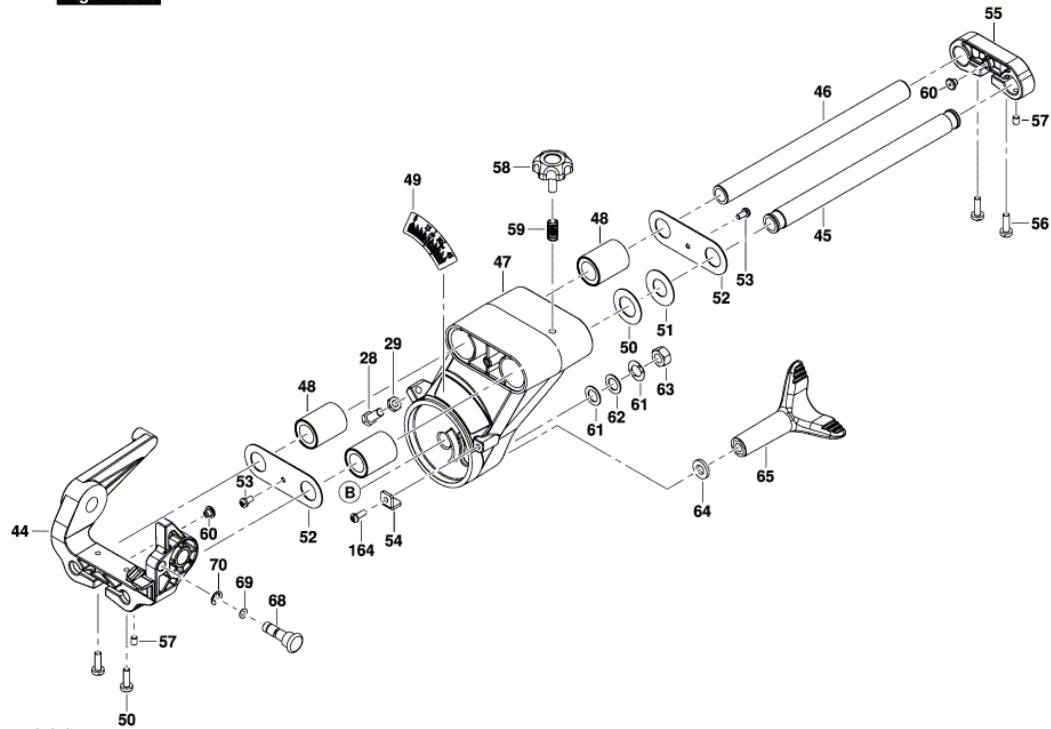
3 601 M46 010
Stand } 22-01-17
Issue } **Fig. /Abb. 1**



Änderungen vorbehalten
Modifications reserved
Modifications réservées
Salvo modificaciones

Illustration - Type - E

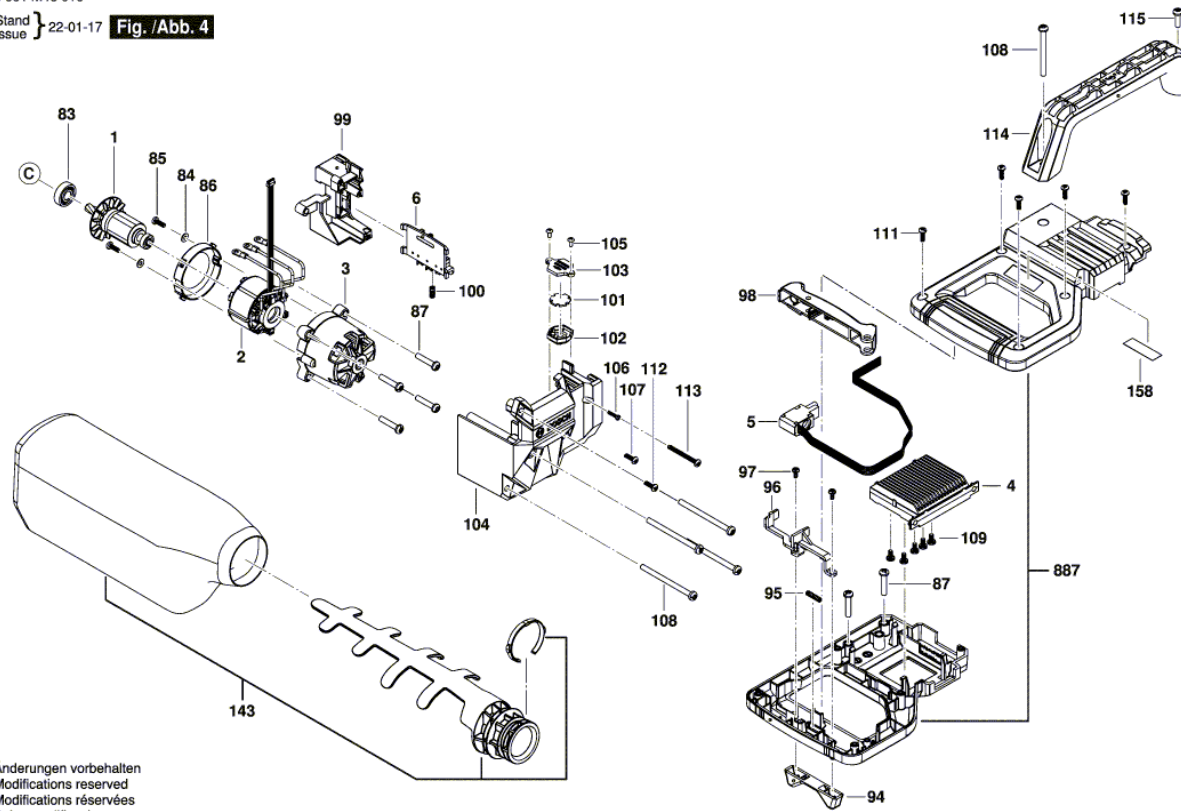
3 601 M46 010
Stand Issue } 22-01-17 **Fig. /Abb. 3**



Änderungen vorbehalten
Modifications reserved
Modifications réservées
Salvo modificaciones

Illustration - Type - E

3 601 M46 010
 Stand } 22-01-17 Fig. /Abb. 4
 Issue }

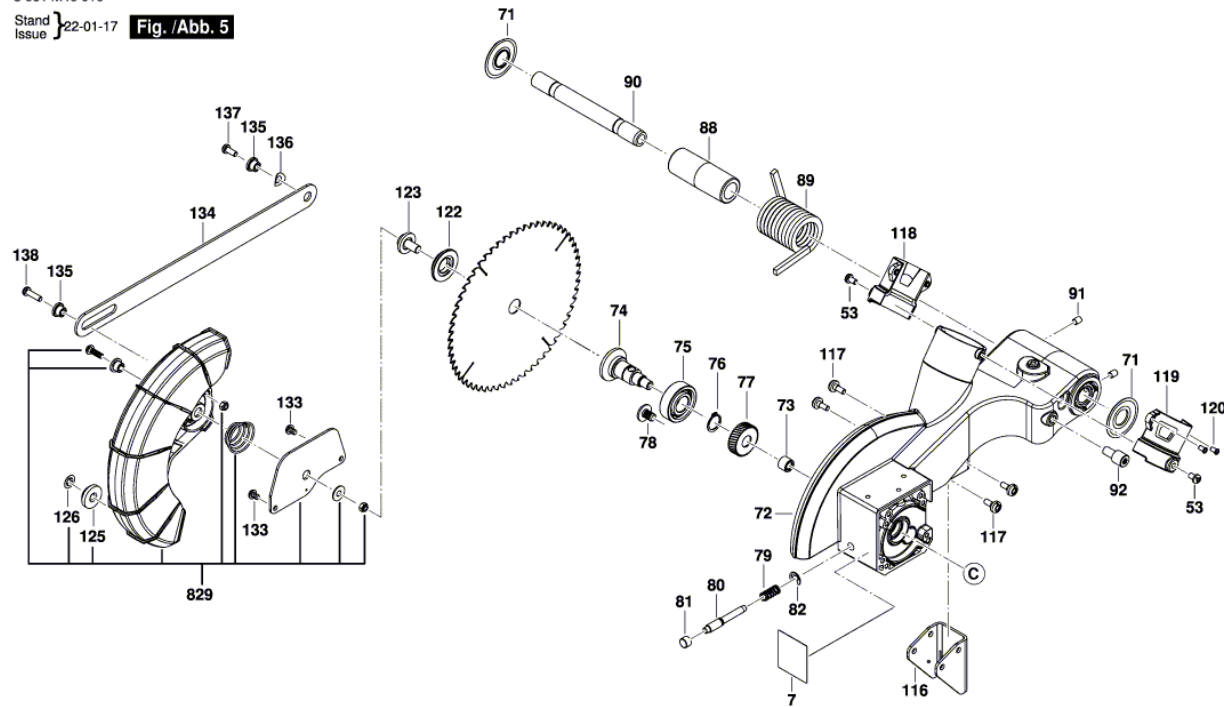


Änderungen vorbehalten
 Modifications reserved
 Modifications réservées
 Salvo modificaciones

Illustration - Type - E

3 601 M46 010

Stand Issue } 22-01-17 **Fig. /Abb. 5**



Änderungen vorbehalten
Modifications reserved
Modifications réservées
Salvo modificaciones