



BOSCH

Compound Mitre Saw

GCM18V-10SD | 3 601 M46 110

Table of Content

Spare parts list.....	2
Illustration - Type.....	7

Compound Mitre Saw | GCM18V-10SD | 3 601 M46 110

Spare parts list

Item	Part Number	Description	Illustration
7	1 609 B07 333	Base	1
8	1 609 B07 334	Scale	1
9	1 609 B07 141	Screw	1
10	1 609 B07 142	Screw	1
11	1 609 B07 145	Grommet	1
12	1 609 B07 146	Wrench Socket	1
13	1 609 B07 335	Extension Stand	1
14	1 609 B07 144	Screw	1
38	1 609 B07 238	Pad	1
39	1 609 B07 171	Bolt	1
129	1 609 B07 370	Mitre Fence	1
130	1 609 B07 371	Mitre Fence	1
131	1 609 B07 292	Plain Washer	1
132	2 610 013 365	Spring Washer	1
133	1 609 B07 295	Tapping Screw	1
134	1 609 B07 372	Mitre Fence	1
135	1 609 B07 373	Mitre Fence	1
136	1 609 B07 298	Knob	1
169	1 609 B07 325	Warning Label	1
170	1 609 B07 326	Warning Label	1
171	1 609 B07 475	Warning Label	1
172	1 609 B07 476	Warning Label	1
173	1 609 B07 477	Warning Label	1
174	1 609 B07 478	Warning Label	1
176	1 609 B07 479	Warning Label	1
15	1 609 B07 336	Saw Table	2
16	1 609 B07 337	Threaded Rod	2
17	1 609 B07 338	Shaft	2
18	1 609 B07 149	Set screw	2
19	1 609 B07 150	Detent Pin	2
20	1 609 B07 151	Spring Clip	2
21	1 609 B07 152	Knob	2
22	2 610 015 053	Spring retaining ring	2
23	1 609 B07 154	Plate	2
24	1 609 B07 155	Screw	2

Compound Mitre Saw | GCM18V-10SD | 3 601 M46 110**Spare parts list**

Item	Part Number	Description	Illustration
25	1 609 B07 339	Sliding Rod	2
26	2 610 916 807	Guide Plate	2
27	1 609 B07 269	Screw	2
28	1 609 B07 340	Compression Spring	2
29	1 609 B07 166	Screw	2
30	1 609 B07 341	Locking Lever	2
31	1 609 B07 164	Push-Button	2
32	1 609 B07 165	Spring Clip	2
33	1 609 B07 342	Pivot Pin	2
34	1 609 B07 175	Screw	2
35	1 609 B07 343	Locking Bar	2
36	1 609 B07 344	Pointer	2
37	1 609 B07 169	Screw	2
40	1 609 B07 172	Plain Washer	2
41	1 609 B07 173	Nut	2
42	1 609 B07 183	Support Plate	2
43	1 609 B07 160	Screw	2
44	1 609 B07 176	Scale	2
121	1 609 B07 281	Spring Clip	2
122	1 609 B07 282	Ball	2
123	1 609 B07 283	Detent	2
124	1 609 B07 284	Plain Washer	2
125	1 609 B07 285	Wave spring	2
126	1 609 B07 286	Tapping Screw	2
161	1 609 B07 324	Clamp	2
177	1 609 B07 482	Warning Label	2
178	1 609 B07 483	Warning Label	2
45	1 609 B07 345	Yoke	3
46	1 609 B07 178	Rail	3
47	1 609 B07 179	Rail	3
48	1 609 B07 346	Post	3
49	1 609 B07 181	Bearing	3
50	1 609 B07 182	Mounting Plate	3
51	1 609 B07 184	Set screw	3
52	1 609 B07 185	Shoulder Screw	3

Compound Mitre Saw | GCM18V-10SD | 3 601 M46 110

Spare parts list

Item	Part Number	Description	Illustration
53	1 609 B07 186	Nut	3
54	1 609 B07 198	Hinge	3
55	2 610 950 110	Profile Rail	3
56	1 609 B07 200	Set screw	3
57	2 610 911 584	Rubber Pad	3
58	1 609 B07 202	Knob	3
59	2 610 911 582	Spring	3
60	2 610 912 587	Plain Washer	3
61	1 609 B07 302	Plain Washer	3
62	1 609 B07 196	Wave spring	3
63	2 610 910 791	Nut	3
64	1 609 B07 289	Handle Bar	3
65	1 609 B07 208	Detent Pin	3
66	1 609 B07 209	O-Ring	3
67	1 609 B07 210	Retaining ring	3
127	1 609 B07 287	Pointer	3
128	1 609 B07 288	Pointer	3
1	1 607 022 69C	Brushless DC motor	4
3	2 607 202 554	Switch	4
4	1 600 A02 6SD	Battery Holder	4
5	1 604 400 01Y	Ribbon cable	4
82	1 609 B07 356	Gear	4
83	1 609 B07 243	Screw	4
102	1 609 B07 248	Spring Clip	4
107	1 609 B07 360	Battery Holder	4
108	1 609 B07 223	Tapping Screw	4
109	1 609 B07 361	Housing Cover	4
110	1 609 B07 362	Tapping Screw	4
112	1 609 B07 251	Button	4
113	1 609 B07 252	Spring Clip	4
114	1 609 B07 253	Support bracket	4
115	1 609 B07 254	Screw	4
116	1 609 B07 255	Trigger	4
117	1 609 B07 364	Tapping Screw	4
119	1 609 B07 257	Tapping Screw	4

Compound Mitre Saw | GCM18V-10SD | 3 601 M46 110

Spare parts list

Item	Part Number	Description	Illustration
120	1 609 B07 366	Screw	4
157	1 609 B07 323	Dust Bag	4
175	1 609 B07 484	Warning Label	4
898	1 607 000 EG8	Switch Handle	4
2	1 607 233 5NF	Electronics Module	5
6	1 609 B07 379	Nameplate	5
68	1 609 B07 211	Wear Plate	5
69	1 609 B07 349	Safety Guard	5
70	1 609 B07 350	Flange	5
71	1 609 B07 220	Ball Bearing	5
72	1 609 B07 351	Pinion Shaft	5
73	1 609 B07 352	Gear	5
74	1 609 B07 353	Retaining ring	5
75	1 609 B07 233	Needle bearing	5
76	1 609 B07 354	Retaining Plate	5
77	1 609 B07 217	Screw	5
78	1 609 B07 228	Spring Clip	5
79	1 609 B07 355	Pin	5
80	1 609 B07 241	Button	5
81	1 609 B07 229	Clamp	5
84	1 609 B07 367	Carrying Handle	5
85	1 609 B07 263	Screw	5
86	1 609 B07 368	Dust Extraction	5
87	1 609 B07 265	Dust Extraction	5
88	1 609 B07 266	Screw	5
89	1 609 B07 267	Dust Extraction	5
90	1 609 B07 268	Dust Extraction	5
91	1 609 B07 270	Rivet	5
92	1 609 B07 318	Dust Extraction	5
93	1 609 B07 369	Tapping Screw	5
94	1 609 B07 276	Spacer	5
95	1 609 B07 258	Torsion Spring	5
96	1 609 B07 278	Pivot Pin	5
97	2 610 921 466	Screw	5
98	1 609 B07 280	Screw	5

Spare parts list

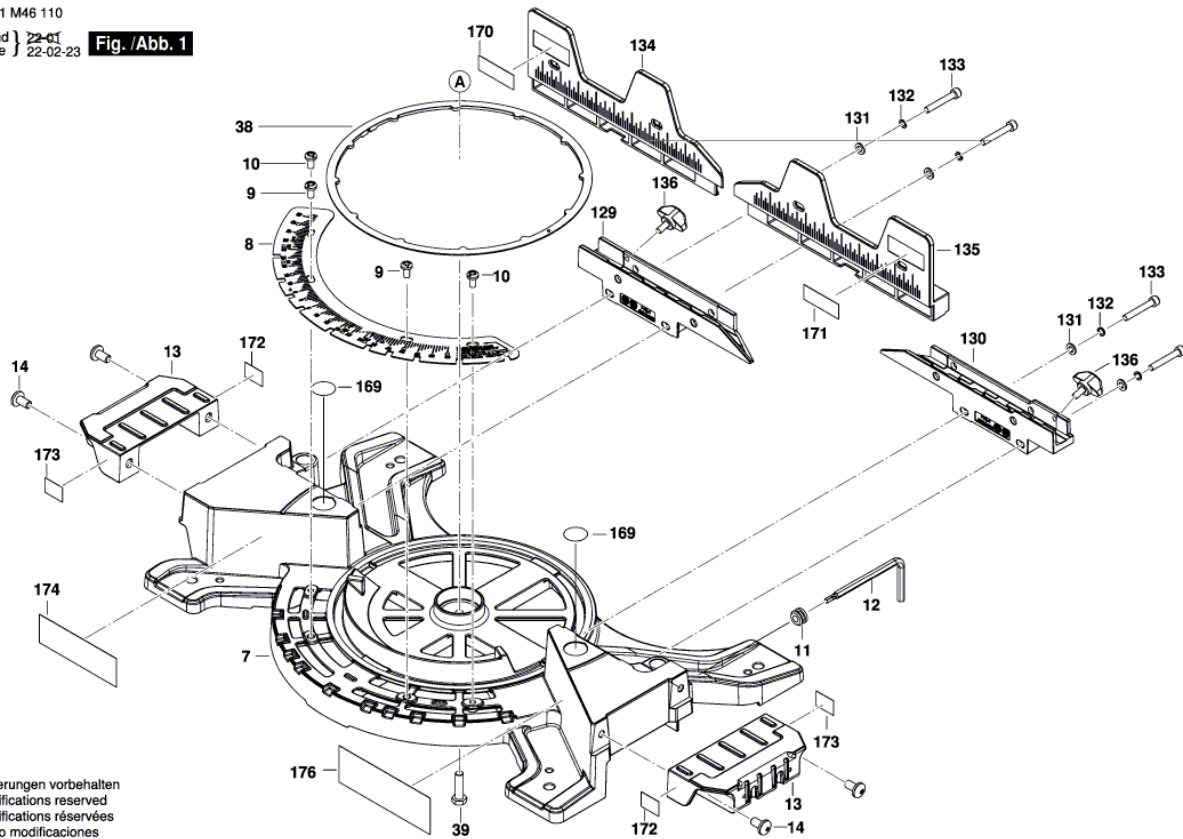
Item	Part Number	Description	Illustration
99	1 609 B07 158	Screw	5
100	1 609 B07 357	Lens	5
101	1 609 B07 358	LED-Module	5
103	1 609 B07 359	Housing Cover	5
104	1 609 B07 300	Screw	5
105	1 609 B07 301	Screw	5
106	1 609 B07 249	Screw	5
137	1 609 B07 374	Flange	5
138	1 609 B07 375	Flange	5
140	1 609 B07 305	Flange Bolt	5
145	1 609 B07 310	Rubber Pad	5
147	1 609 B07 312	Bushing	5
149	1 609 B07 315	Wheel	5
150	1 609 B07 316	Retaining ring	5
152	1 609 B07 317	Screw	5
153	1 609 B07 319	Wave spring	5
154	1 609 B07 378	Linkage	5
155	1 609 B07 321	Screw	5
156	1 609 B07 322	Screw	5
845	1 607 000 EG5	Lower guard	5

Illustration - Type - E

3 601 M46 110

Stand } 22-01
Issue } 22-02-23

Fig./Abb. 1



Änderungen vorbehalten
Modifications reserved
Modifications réservées
Salvo modificaciones

Illustration - Type - E

3 601 M46 110
 Stand } 22-01
 Issue } 22-02-23

Fig. /Abb. 2

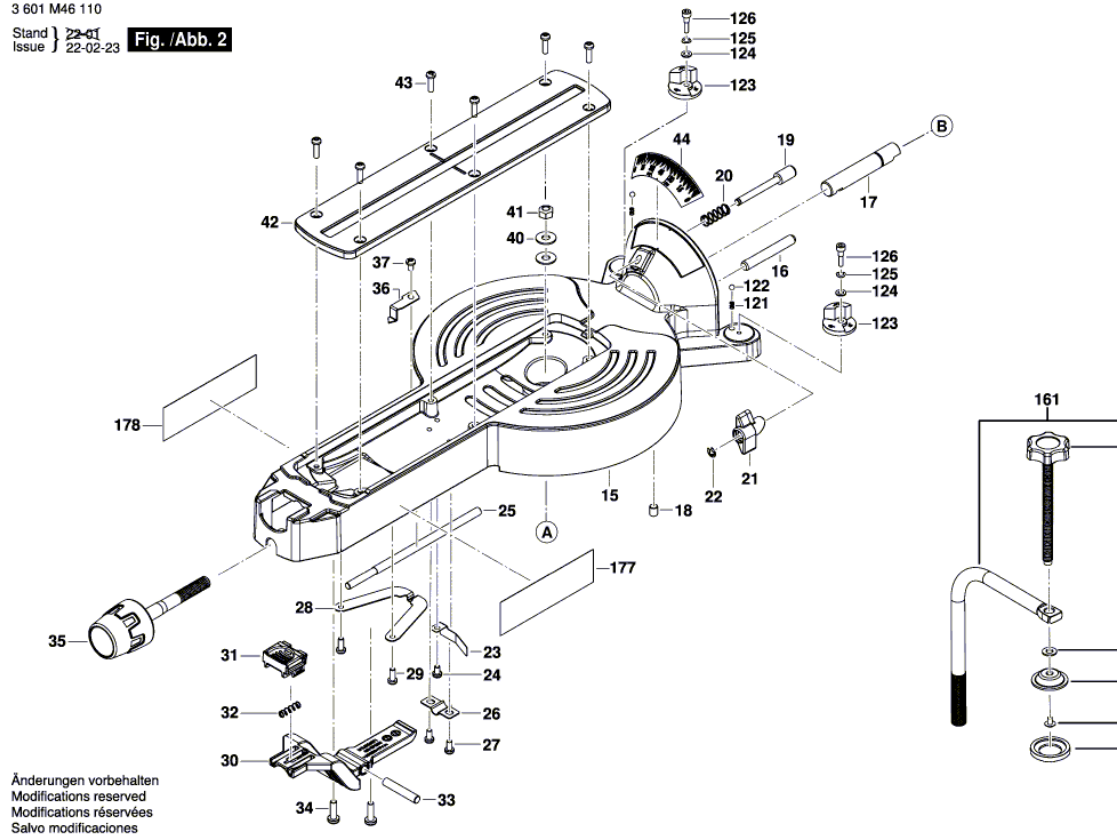
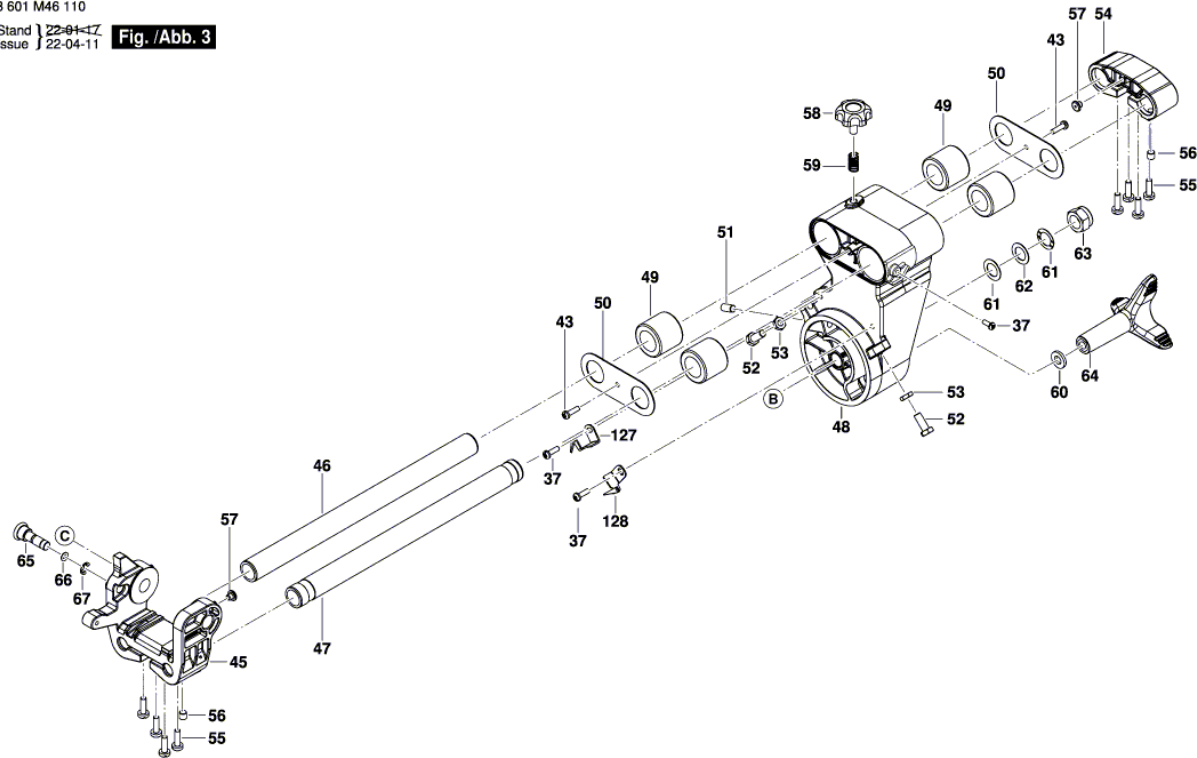


Illustration - Type - E

3 601 M46 110

Stand } 22-01-17
Issue } 22-04-11

Fig. /Abb. 3



Änderungen vorbehalten
Modifications reserved
Modifications réservées
Salvo modificaciones

Illustration - Type - E

3 601 M46 110
 Stand } 22-01
 Issue } 22-02-23

Fig. /Abb. 4

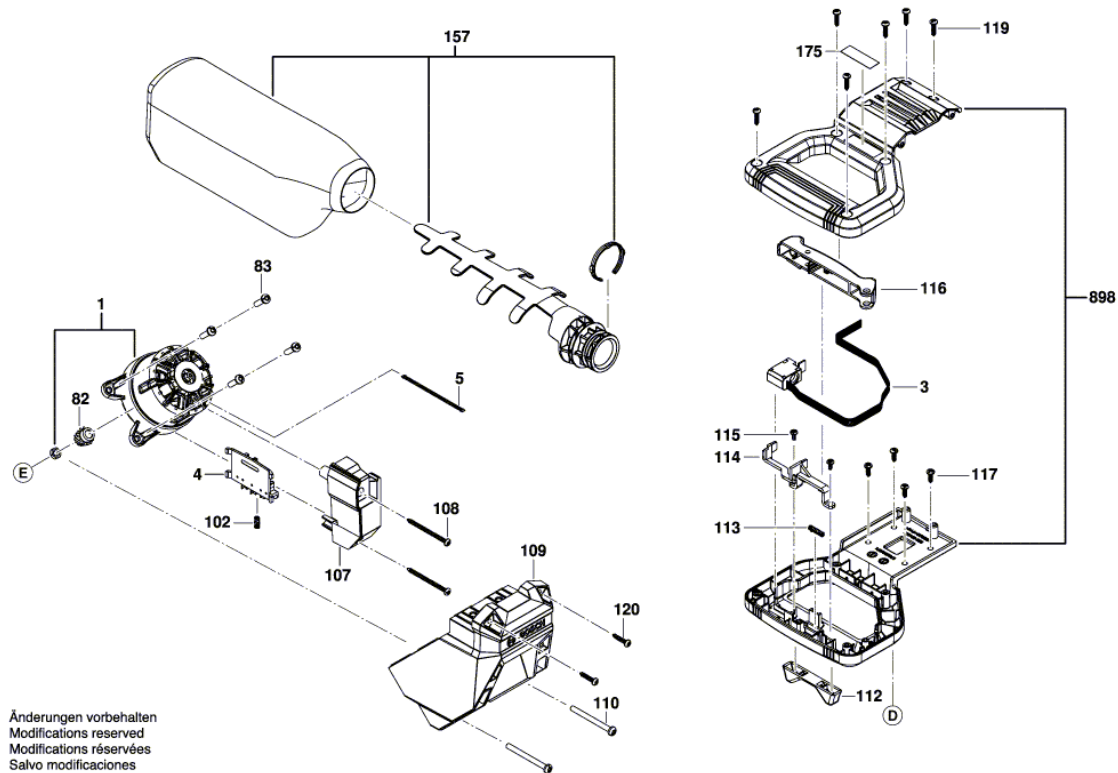


Illustration - Type - E

