



BOSCH

Compound Mitre Saw

GCM 18V-216 D | 3 601 M51 080

Table of Content

Spare parts list.....	2
Illustration - Type.....	7

Spare parts list

Item	Part Number	Description	Illustration	Price	Quantity	Price Group
19	1 609 B07 540	Screw M5×30/4.8	1	-	8	
22	1 609 B07 542	Mounting Plate	1	-	1	
27	1 609 B07 547	Porous Bearing	1	-	1	
28	1 609 B07 548	Arm	1	-	1	
29	1 609 B07 549	Cable Cover	1	-	1	
30	1 609 B07 550	Screw M4×8	1	-	5	
31	1 609 B07 551	Compression Spring	1	-	1	
32	1 609 B07 552	Detent Pin	1	-	1	
33	1 609 B07 553	Retaining ring	1	-	1	
34	1 609 B07 554	Push Button	1	-	1	
35	1 607 233 5NJ	Electronics Module	1	-	1	
38	1 609 B07 557	Lamp Housing	1	-	1	
39	1 609 B07 558	Protective Glass	1	-	1	
40	1 609 B07 560	Led Board	1	-	1	
41	1 609 B07 559	Reflector	1	-	1	
42	1 609 B07 561	Screw and washer assembly M4×10/8.8	1	-	5	
43	1 609 B07 562	Cable	1	-	1	
44	1 609 B07 563	Cover	1	-	1	
45	1 609 B07 564	Spring Washer	1	-	4	
65	1 609 B07 537	Screw M6×16/8.8	1	-	2	
99	1 609 B07 615	Washer	1	-	3	
103	1 609 B07 619	Pressure Screw M6×20/45H	1	-	1	
104	1 609 B07 620	Rubber Retaining Ring	1	-	1	
118	1 609 B07 634	Screw M6×10/4.8	1	-	3	
125	1 609 B07 639	Knurled Nut	1	-	1	
126	1 609 B07 640	Knob	1	-	1	
130	1 609 B07 644	Shoulder Screw	1	-	2	
131	1 609 B07 645	Connecting Link	1	-	1	
132	1 609 B08 244	Flange	1	-	1	
134	1 609 B07 606	Flange	1	-	1	
135	1 619 PA4 354	Thread-forming tap. Screw	1	-	1	
136	1 609 B07 649	Bushing	1	-	2	
167	1 609 B07 679	Pressure Screw M6×8/45H	1	-	1	
172	1 609 B07 684	Washer	1	-	1	
178	1 609 B07 690	rubber lip	1	-	1	

* Prices shown are suggested retail prices

Spare parts list

Item	Part Number	Description	Illustration	Price	Quantity	Price Group
179	1 609 B07 691	Dust Extraction	1	-	1	
180	1 609 B07 692	Tapping Screw ST4.2×25-F	1	-	1	
181	1 609 B07 693	Tapping Screw ST4.2×9.5-F	1	-	1	
182	1 609 B07 694	Tapping Screw ST3.5×9.5-F	1	-	3	
184	1 609 B07 696	Connector	1	-	1	
192	1 609 B07 704	Holder	1	-	1	
193	1 609 B07 705	Holder	1	-	1	
194	1 609 B07 706	Screw M4×12/8.8	1	-	3	
195	1 609 B07 707	Laser module	1	-	2	
197	1 609 B07 709	Cover	1	-	1	
207	1 609 B07 719	Screw M4×16/8.8	1	-	2	
208	1 609 B07 720	Terminal lug	1	-	2	
209	1 609 B07 721	Cable tie	1	-	1	
810	1 609 B08 166	Lower guard	1	-	1	
823	1 609 B07 605	Output Shaft	1	-	1	
885	1 609 B07 930	Dust Bag	1	-	1	
1	1 609 B07 536	Motor Housing	2	-	1	
4	2 607 202 558	Switch	2	-	1	
46	1 609 B07 565	Handle	2	-	1	
47	1 609 B07 566	Screw ST4.2×13/1022A	2	-	14	
48	1 609 B07 567	Battery Holder	2	-	1	
49	1 609 B06 831	Cable Set	2	-	1	
50	1 609 B07 568	Battery Holder	2	-	1	
51	1 609 B07 569	Button	2	-	1	
52	1 609 B07 570	Compression Spring	2	-	1	
53	1 609 B07 571	Air-Deflector Ring	2	-	1	
54	1 609 B07 572	Handle	2	-	1	
55	1 609 B07 573	Tapping Screw	2	-	2	
56	1 609 B07 574	Screw and washer assembly M5×16/4.8	2	-	2	
62	1 609 B07 580	Compression Spring	2	-	1	
215	1 609 B07 726	Label	2	-	1	
802	1 609 B08 350	Brushless DC motor	2	-	1	
808	1 609 B08 249	Nameplate	2	-	1	
20	1 609 B08 250	Warning Label	3	-	1	
74	1 609 B08 161	Screw M6×16/4.8	3	-	8	

* Prices shown are suggested retail prices

Spare parts list

Item	Part Number	Description	Illustration	Price	Quantity	Price Group
84	1 609 B07 600	Bolt	3	-	1	
95	1 609 B08 159	Shoulder Screw M6×50/4.8	3	-	1	
96	1 609 B07 612	Locking Lever	3	-	1	
97	1 609 B07 613	Knob	3	-	1	
98	1 609 B07 614	Spring Plate	3	-	1	
100	1 609 B07 616	Rod	3	-	1	
101	1 609 B07 617	fixing plate	3	-	1	
106	1 609 B07 622	Support Plate	3	-	2	
107	1 609 B07 623	Pointer	3	-	1	
112	1 609 B07 628	Spring Washer	3	-	3	
119	1 609 B07 635	Screw M6×16/8.8	3	-	2	
149	1 609 B07 661	Screw	3	-	2	
156	1 609 B07 668	Compression Spring	3	-	2	
164	1 609 B07 676	Screw M6×20/10.9	3	-	1	
168	1 609 B07 680	Nut M8/5	3	-	2	
169	1 609 B07 681	Pressure Screw M8×25/45H	3	-	2	
171	1 609 B07 683	Compression Spring	3	-	1	
173	1 609 B07 685	Knob	3	-	1	
177	1 609 B07 689	Detent plate	3	-	1	
191	1 609 B07 703	Screw M5×10/4.8	3	-	5	
203	1 609 B07 715	Lock Nut M5/5	3	-	3	
204	1 609 B07 716	Support Plate	3	-	1	
812	1 609 B08 268	Table	3	-	1	
66	1 609 B07 583	Lock Nut M6/5	4	-	3	
69	1 609 B07 586	Stop Plate	4	-	1	
72	1 609 B07 633	Screw M6×16/4.8	4	-	2	
75	1 609 B07 592	Knob	4	-	2	
76	1 609 B07 593	Supporting foot	4	-	4	
77	1 609 B07 594	Washer	4	-	3	
78	1 609 B07 595	Spring Washer	4	-	2	
80	1 609 B07 597	Base	4	-	1	
81	1 609 B07 598	Stop Plate	4	-	1	
82	1 609 B07 599	Auxiliary Support	4	-	1	
85	1 609 B07 601	Scale Plate	4	-	1	
86	1 609 B07 602	Wear Plate	4	-	3	

* Prices shown are suggested retail prices

Spare parts list

Item	Part Number	Description	Illustration	Price	Quantity	Price Group
87	1 609 B07 603	Mitre Fence	4	-	1	
92	1 609 B07 608	Mitre Fence	4	-	1	
93	1 609 B07 609	Mitre Fence	4	-	1	
94	1 609 B07 610	Screw M8x20/8.8	4	-	4	
128	1 609 B07 642	Lock Nut	4	-	1	
157	1 609 B07 669	Washer	4	-	2	
189	1 609 B07 701	Knob	4	-	1	
190	1 609 B07 702	Knob	4	-	1	
200	1 609 B07 712	Hexagon Socket Screw Key	4	-	1	
201	1 619 PA7 028	Holder	4	-	1	
211	1 609 B07 722	Label	4	-	1	
212	1 609 B07 723	Label	4	-	1	
213	1 609 B07 724	Label	4	-	1	
214	1 609 B07 725	Label	4	-	1	
870	1 609 B08 167	Extension Stand	4	-	2	
898	1 609 B07 675	Supporting Block	4	-	2	
79	1 609 B07 596	Lock Nut	5	-	1	
113	1 609 B07 629	Washer	5	-	1	
127	1 609 B07 641	Locking Pin	5	-	1	
137	1 609 B07 650	Wear Plate	5	-	2	
138	1 609 B07 651	Bushing	5	-	1	
139	1 609 B07 611	Torsion Spring	5	-	1	
140	1 609 B07 653	Shaft	5	-	1	
141	1 609 B07 654	Stop Plate	5	-	1	
143	1 609 B07 655	Wave spring	5	-	1	
145	1 609 B07 657	Locking Pin	5	-	1	
146	1 609 B07 658	Shaft	5	-	1	
147	1 609 B07 659	Nut M10/6	5	-	1	
148	1 609 B07 660	Pointer	5	-	1	
150	1 609 B07 662	Cover Plate	5	-	2	
151	1 609 B07 663	Felt Washer	5	-	4	
152	1 609 B07 664	Rubber Pad	5	-	2	
153	1 609 B07 665	Bracket	5	-	1	
154	1 609 B07 666	Compression Spring	5	-	1	
155	1 609 B07 667	Knob	5	-	1	

* Prices shown are suggested retail prices

Spare parts list

Item	Part Number	Description	Illustration	Price	Quantity	Price Group
158	1 609 B07 670	Pressure Screw M10×110/45H	5	-	1	
160	1 609 B07 672	Handwheel	5	-	1	
165	1 609 B07 677	Shoulder Screw	5	-	3	
174	1 609 B07 686	Connection plate	5	-	2	
175	1 609 B07 687	Carrying Handle	5	-	1	
176	1 609 B07 688	Tapping Screw ST4.8×16-F	5	-	2	
187	1 609 B07 699	Bushing	5	-	1	
188	1 609 B07 700	Retaining ring	5	-	1	
202	1 609 B07 714	Control Lever	5	-	1	
205	1 609 B07 717	O-Ring 6.7×1.8	5	-	1	
829	1 609 B08 267	Bracket	5	-	1	
861	1 609 B08 352	Linear Roller Bearing	5	-	1	
890	1 609 B06 930	Adjustable screw clamp	6	-	1	

* Prices shown are suggested retail prices

Illustration - Type - E

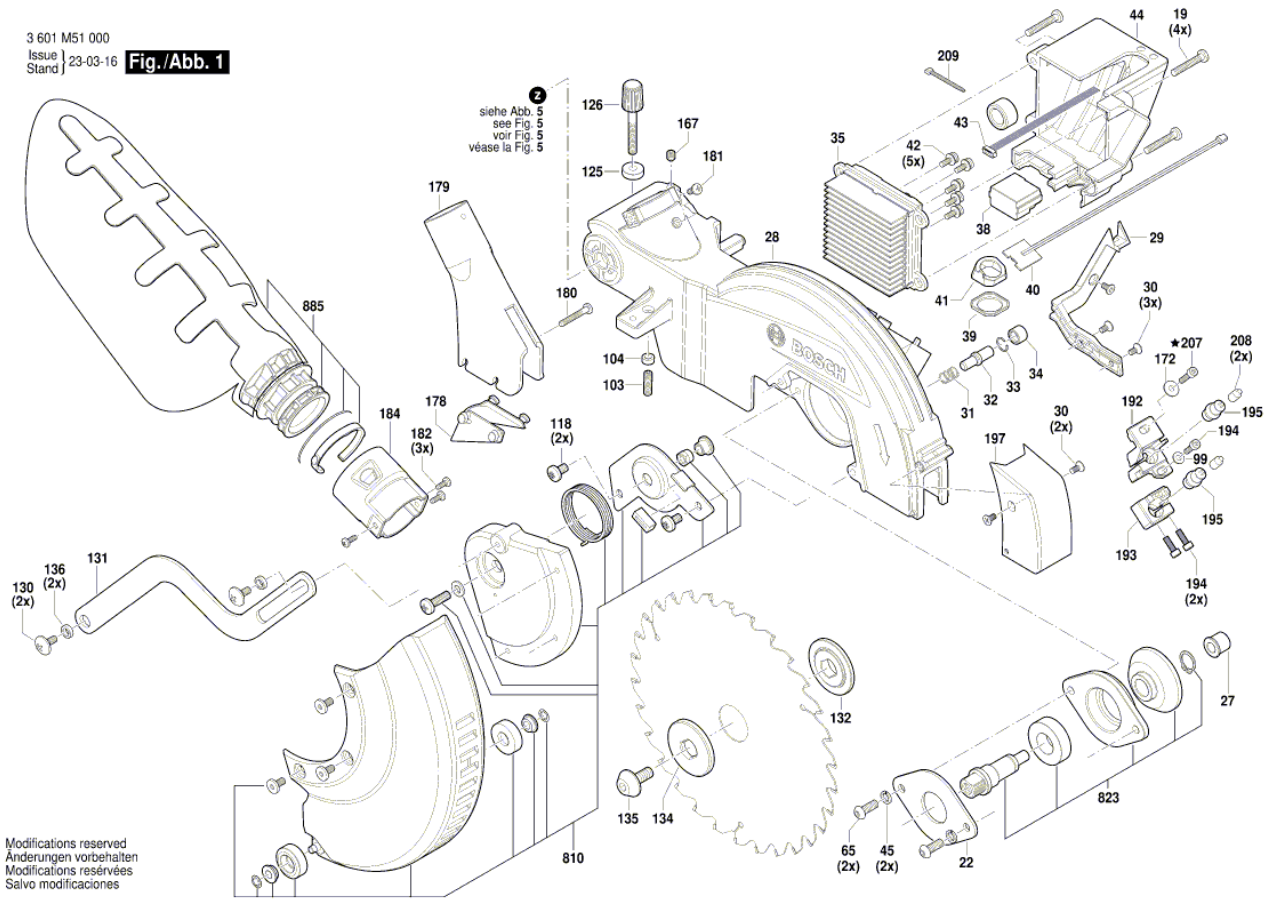
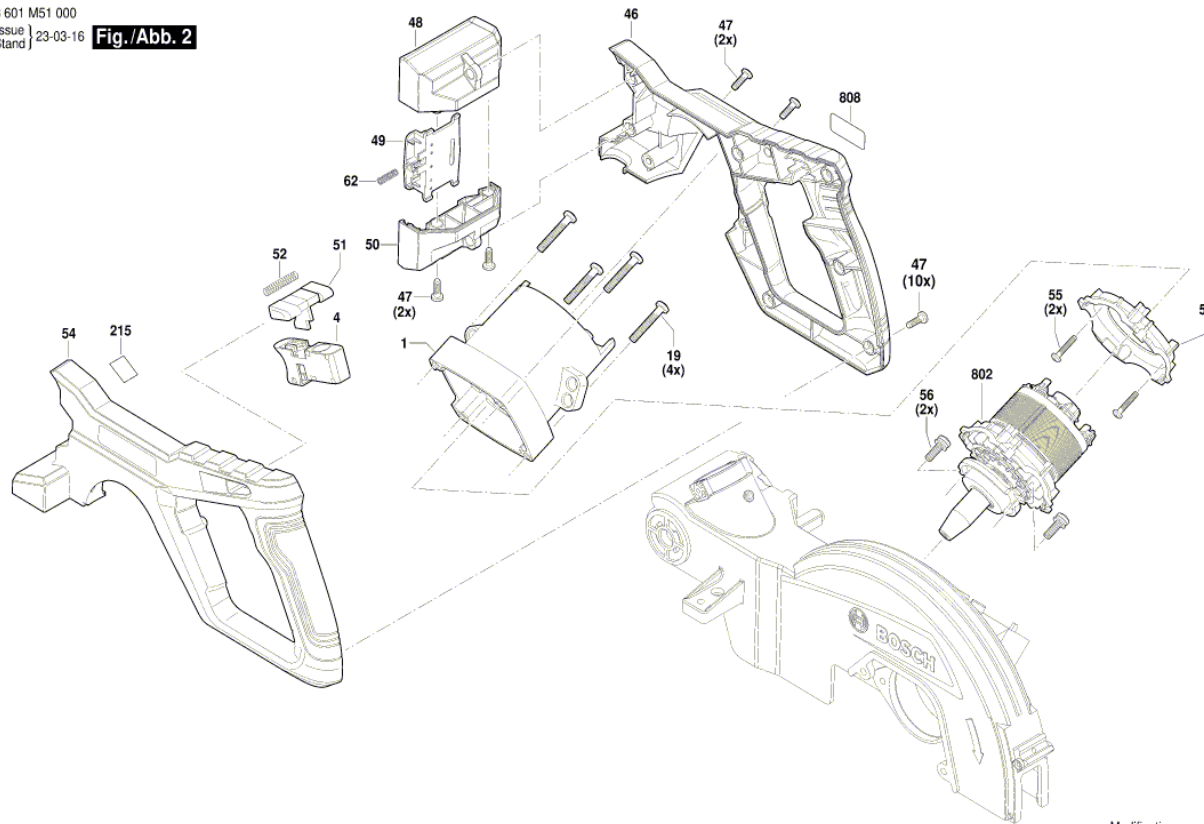


Illustration - Type - E

3 601 M51 000
Issue | 23-03-16
Stand | **Fig./Abb. 2**

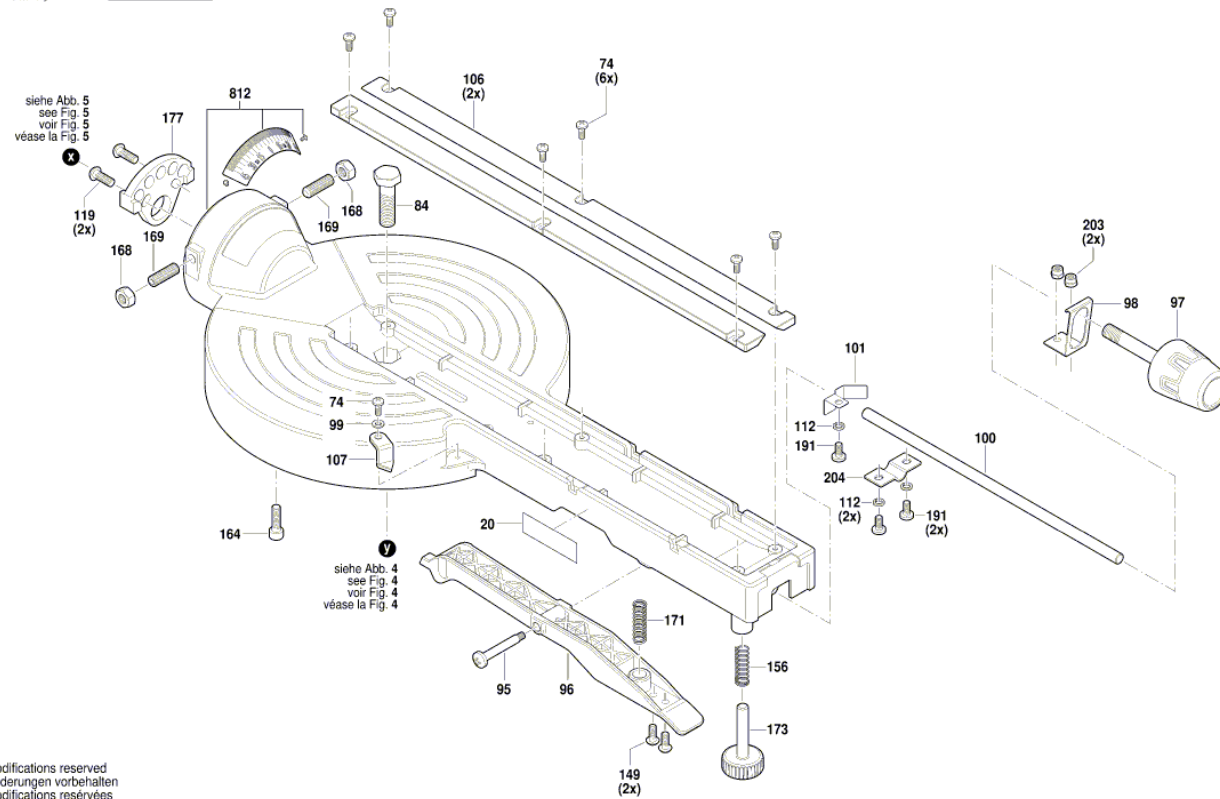


Modifications reserved
Änderungen vorbehalten
Modifications réservées
Salvo modificaciones

Illustration - Type - E

3 601 M51 000
 Issue | 23-02-28
 Stand |

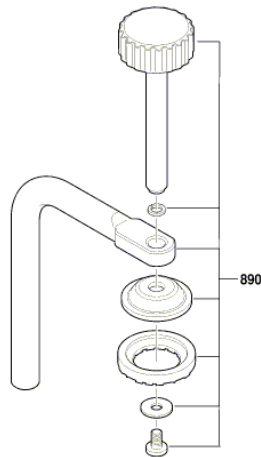
Fig./Abb. 3



Modifications reserved
 Änderungen vorbehalten
 Modifications réservées
 Salvo modificaciones

Illustration - Type - E

3 601 M51 000
 Issue | 23-03-09
 Stand | **Fig./Abb. 6**



Anzugsmomente
Torque values
Couple de serrage
Paires de apriete
Pos. 19 = 2,5 - 2,8 Nm
Pos. 30 = 0,35 - 0,5 Nm
Pos. 42 = 0,9 - 1,3 Nm
Pos. 47 = 1,3 - 1,8 Nm
Pos. 55 = 1,2 - 1,5 Nm
Pos. 56 = 2,7 - 3,6 Nm
Pos. 65 = 4,8 - 6,4 Nm
Pos. 71 = 0,6 - 1,0 Nm
Pos. 74 = 0,9 - 1,3 Nm
Pos. 94 = 11,0 - 15,0 Nm
Pos. 95 = 4,8 - 6,4 Nm
Pos. 111 = 1,8 - 2,7 Nm
Pos. 118 = 4,8 - 6,4 Nm
Pos. 119 = 4,8 - 6,4 Nm
Pos. 130 = 2,7 - 3,6 Nm
Pos. 135 = 12,5 - 15,0 Nm
Pos. 147 = 12,0 - 15,0 Nm
Pos. 149 = 1,8 - 2,7 Nm
Pos. 159 = 2,7 - 3,6 Nm
Pos. 164 = 4,8 - 6,4 Nm
Pos. 165 = 2,7 - 3,6 Nm
Pos. 167 = 0,6 - 1,0 Nm
Pos. 168 = 7,5 - 10,0 Nm
Pos. 176 = 2,2 - 2,8 Nm
Pos. 180 = 1,3 - 1,8 Nm
Pos. 181 = 1,3 - 1,8 Nm
Pos. 182 = 0,6 - 1,0 Nm
Pos. 191 = 2,7 - 3,6 Nm
Pos. 194 = 0,9 - 1,3 Nm
Pos. ★207 = 0,9 - 1,3 Nm
Pos. ■207 = 1,3 - 1,8 Nm

Modifications reserved
 Änderungen vorbehalten
 Modifications réservées
 Salvo modificaciones

Illustration - Type - E

3 601 M51 000
Issue | 23-03-09
Stand | **Fig./Abb. 7**

