



BOSCH

Compound Mitre Saw

GCM 18V-254 D | 3 601 M51 180

Table of Content

Spare parts list.....	2
Illustration - Type.....	7

Spare parts list

Item	Part Number	Description	Illustration	Price	Quantity	Price Group
19	1 609 B07 540	Screw M5×30/4.8	1	-	8	
22	1 609 B07 537	Screw M6×16/8.8	1	-	2	
23	1 609 B07 564	Spring Washer	1	-	4	
24	1 609 B07 542	Mounting Plate	1	-	1	
29	1 609 B07 547	Porous Bearing	1	-	1	
30	1 609 B08 065	Arm	1	-	1	
31	1 609 B08 066	Cable Cover	1	-	1	
32	1 609 B07 550	Screw M4×8	1	-	5	
33	1 609 B07 551	Compression Spring	1	-	1	
34	1 609 B07 552	Detent Pin	1	-	1	
35	1 609 B07 553	Retaining ring	1	-	1	
36	1 609 B07 554	Push Button	1	-	1	
37	1 607 233 5NH	Electronics Module	1	-	1	
40	1 609 B07 557	Lamp Housing	1	-	1	
41	1 609 B07 558	Protective Glass	1	-	1	
42	1 609 B07 559	Reflector	1	-	1	
43	1 609 B07 560	Led Board	1	-	1	
44	1 609 B07 561	Screw and washer assembly M4×10/8.8	1	-	5	
45	1 609 B07 562	Cable	1	-	1	
46	1 609 B07 563	Cover	1	-	1	
61	1 609 B07 721	Cable tie	1	-	1	
83	1 609 B07 719	Screw M4×16/8.8	1	-	2	
101	1 609 B07 615	Washer	1	-	3	
105	1 609 B07 619	Pressure Screw M6×20/45H	1	-	1	
106	1 609 B07 620	Rubber Retaining Ring	1	-	1	
120	1 609 B07 634	Screw M6×10/4.8	1	-	3	
127	1 609 B07 639	Knurled Nut	1	-	1	
128	1 609 B08 091	Knob	1	-	1	
132	1 609 B07 644	Shoulder Screw	1	-	2	
133	1 609 B08 094	Connecting Link	1	-	1	
134	1 609 B08 256	Flange	1	-	1	
136	1 619 PA6 973	Clamping Flange	1	-	1	
137	1 619 PA4 354	Thread-forming tap. Screw	1	-	1	
138	1 609 B07 649	Bushing	1	-	2	
169	1 609 B07 679	Pressure Screw M6×8/45H	1	-	1	

* Prices shown are suggested retail prices

Spare parts list

Item	Part Number	Description	Illustration	Price	Quantity	Price Group
174	1 609 B07 693	Tapping Screw ST4.2×9.5-F	1	-	1	
180	1 609 B07 690	rubber lip	1	-	1	
181	1 609 B08 107	Dust Extraction	1	-	1	
182	1 609 B07 692	Tapping Screw ST4.2×25-F	1	-	1	
184	1 609 B07 694	Tapping Screw ST3.5×9.5-F	1	-	3	
186	1 609 B07 696	Connector	1	-	1	
196	1 609 B07 706	Screw M4×12/8.8	1	-	3	
197	1 609 B07 707	Laser module	1	-	2	
199	1 609 B08 109	Cover	1	-	1	
202	1 609 B07 704	Holder	1	-	1	
203	1 609 B07 705	Holder	1	-	1	
205	1 609 B07 720	Terminal lug	1	-	2	
210	1 609 B07 684	Washer	1	-	1	
812	1 609 B08 120	Lower guard	1	-	1	
825	1 609 B07 605	Output Shaft	1	-	1	
888	1 609 B07 930	Dust Bag	1	-	1	
1	1 609 B07 536	Motor Housing	2	-	1	
4	2 607 202 558	Switch	2	-	1	
48	1 609 B07 565	Handle	2	-	1	
49	1 609 B07 566	Screw ST4.2×13/1022A	2	-	14	
50	1 609 B07 567	Battery Holder	2	-	1	
51	1 609 B06 831	Cable Set	2	-	1	
52	1 609 B07 568	Battery Holder	2	-	1	
53	1 609 B07 569	Button	2	-	1	
54	1 609 B07 570	Compression Spring	2	-	1	
55	1 609 B07 571	Air-Deflector Ring	2	-	1	
56	1 609 B07 572	Handle	2	-	1	
57	1 609 B07 573	Tapping Screw	2	-	2	
58	1 609 B07 574	Screw and washer assembly M5×16/4.8	2	-	2	
64	1 609 B07 580	Compression Spring	2	-	1	
209	1 609 B07 726	Label	2	-	1	
802	1 609 B08 351	Brushless DC motor	2	-	1	
808	1 609 B08 261	Nameplate	2	-	1	
20	1 609 B08 250	Warning Label	3	-	1	
74	1 609 B07 703	Screw M5×10/4.8	3	-	5	

* Prices shown are suggested retail prices

Spare parts list

Item	Part Number	Description	Illustration	Price	Quantity	Price Group
84	1 609 B08 070	Bolt M10x55/4.6	3	-	1	
97	1 609 B08 159	Shoulder Screw M6x50/4.8	3	-	1	
98	1 609 B08 078	Locking Lever	3	-	1	
99	1 609 B07 613	Knob	3	-	1	
100	1 609 B08 080	Spring Plate	3	-	1	
102	1 609 B08 081	Rod	3	-	1	
103	1 609 B07 617	fixing plate	3	-	1	
108	1 609 B07 622	Support Plate	3	-	2	
109	1 609 B07 623	Pointer	3	-	1	
114	1 609 B07 628	Spring Washer	3	-	3	
115	1 609 B07 676	Screw M6x20/10.9	3	-	1	
121	1 609 B08 087	Screw M6x20/8,8	3	-	2	
124	1 609 B07 715	Lock Nut M5/5	3	-	3	
158	1 609 B07 668	Compression Spring	3	-	2	
170	1 609 B07 680	Nut M8/5	3	-	2	
171	1 609 B07 681	Pressure Screw M8x25/45H	3	-	2	
173	1 609 B07 683	Compression Spring	3	-	1	
175	1 609 B07 685	Knob	3	-	1	
179	1 609 B08 106	Detent plate	3	-	1	
192	1 609 B08 161	Screw M6x16/4.8	3	-	8	
204	1 609 B07 716	Support Plate	3	-	1	
218	1 609 B07 661	Screw	3	-	2	
804	1 609 B08 155	Table	3	-	1	
68	1 609 B07 669	Washer	4	-	2	
69	1 609 B07 586	Stop Plate	4	-	1	
72	1 609 B07 633	Screw M6x16/4.8	4	-	2	
75	1 609 B07 592	Knob	4	-	2	
76	1 609 B07 593	Supporting foot	4	-	4	
77	1 609 B07 594	Washer	4	-	2	
78	1 609 B07 595	Spring Washer	4	-	1	
79	1 609 B07 642	Lock Nut	4	-	1	
80	1 609 B08 068	Base	4	-	1	
81	1 609 B07 598	Stop Plate	4	-	1	
82	1 609 B07 599	Auxiliary Support	4	-	1	
85	1 609 B08 071	Scale Plate	4	-	1	

* Prices shown are suggested retail prices

Spare parts list

Item	Part Number	Description	Illustration	Price	Quantity	Price Group
86	1 609 B08 072	Wear Plate	4	-	3	
87	1 609 B08 073	Mitre Fence	4	-	1	
94	1 609 B08 076	Mitre Fence	4	-	1	
95	1 609 B08 077	Mitre Fence	4	-	1	
96	1 609 B07 610	Screw M8x20/8.8	4	-	4	
159	1 619 PA7 028	Holder	4	-	1	
172	1 609 B08 266	Knob	4	-	1	
191	1 609 B08 258	Knob	4	-	1	
195	1 609 B07 712	Hexagon Socket Screw Key	4	-	1	
206	1 609 B07 724	Label	4	-	1	
207	1 609 B07 722	Label	4	-	1	
208	1 609 B07 723	Label	4	-	1	
216	1 609 B07 725	Label	4	-	1	
217	1 609 B07 583	Lock Nut M6/5	4	-	2	
861	1 609 B07 675	Supporting Block	4	-	2	
870	1 609 B08 121	Extension Stand	4	-	2	
123	1 609 B08 089	Lock Nut	5	-	1	
129	1 609 B07 641	Locking Pin	5	-	1	
130	1 609 B08 092	Washer	5	-	1	
139	1 609 B08 095	Wear Plate	5	-	2	
140	1 609 B08 096	Bushing	5	-	1	
141	1 609 B07 591	Torsion Spring	5	-	1	
142	1 609 B08 097	Shaft	5	-	1	
143	1 609 B07 654	Stop Plate	5	-	1	
145	1 609 B07 655	Wave spring	5	-	1	
147	1 609 B07 657	Locking Pin	5	-	1	
148	1 609 B08 098	Shaft	5	-	1	
149	1 609 B07 659	Nut M10/6	5	-	1	
150	1 609 B07 660	Pointer	5	-	1	
152	1 609 B08 101	Cover Plate	5	-	2	
153	1 609 B07 663	Felt Washer	5	-	4	
154	1 609 B07 664	Rubber Pad	5	-	2	
155	1 609 B08 102	Bracket	5	-	1	
156	1 609 B07 666	Compression Spring	5	-	2	
157	1 609 B07 667	Knob	5	-	1	

* Prices shown are suggested retail prices

Spare parts list

Item	Part Number	Description	Illustration	Price	Quantity	Price Group
160	1 609 B08 103	Pressure Screw M10x110	5	-	1	
162	1 609 B07 672	Handwheel	5	-	1	
167	1 609 B07 677	Shoulder Screw	5	-	3	
176	1 609 B07 686	Connection plate	5	-	2	
177	1 609 B07 687	Carrying Handle	5	-	1	
178	1 609 B07 688	Tapping Screw ST4.8x16-F	5	-	2	
183	1 609 B08 108	Washer	5	-	1	
189	1 609 B07 717	O-Ring 6.7x1.8	5	-	1	
190	1 609 B07 700	Retaining ring	5	-	1	
193	1 609 B07 714	Control Lever	5	-	1	
194	1 609 B07 629	Washer	5	-	1	
831	1 609 B08 129	Bracket	5	-	1	
863	1 609 B08 353	Linear Roller Bearing	5	-	1	
892	1 609 B06 932	Adjustable screw clamp	6	-	1	

* Prices shown are suggested retail prices

Illustration - Type - E

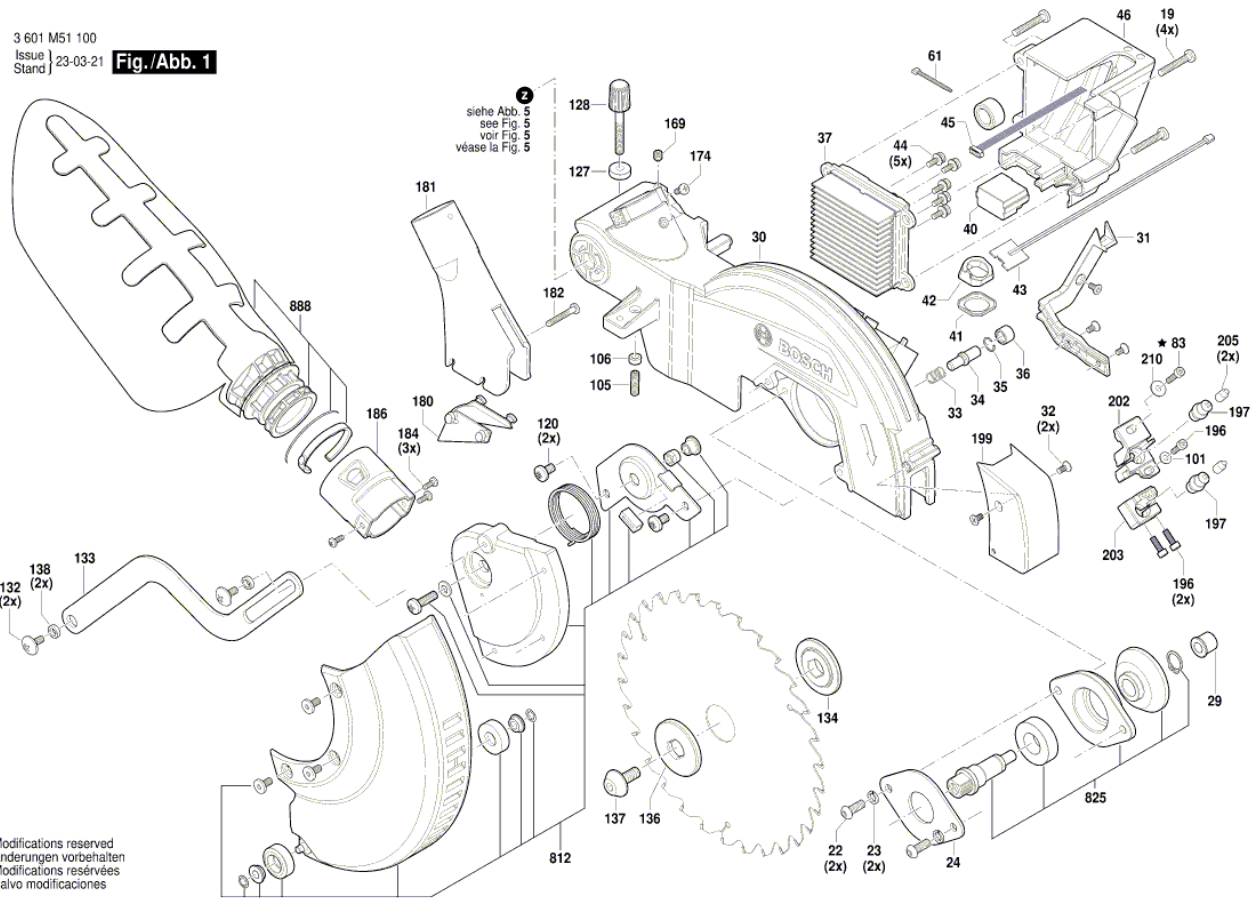
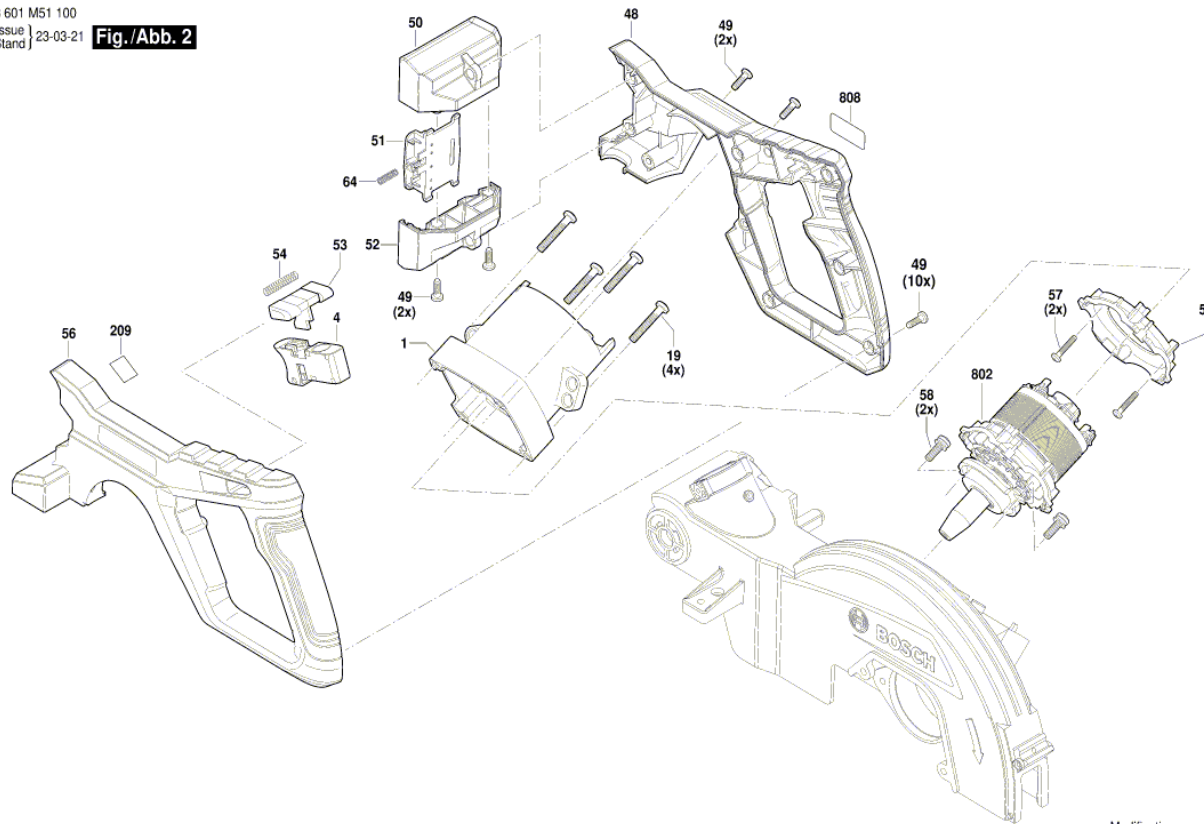


Illustration - Type - E

3 601 M51 100
Issue | 23-03-21
Stand | **Fig./Abb. 2**

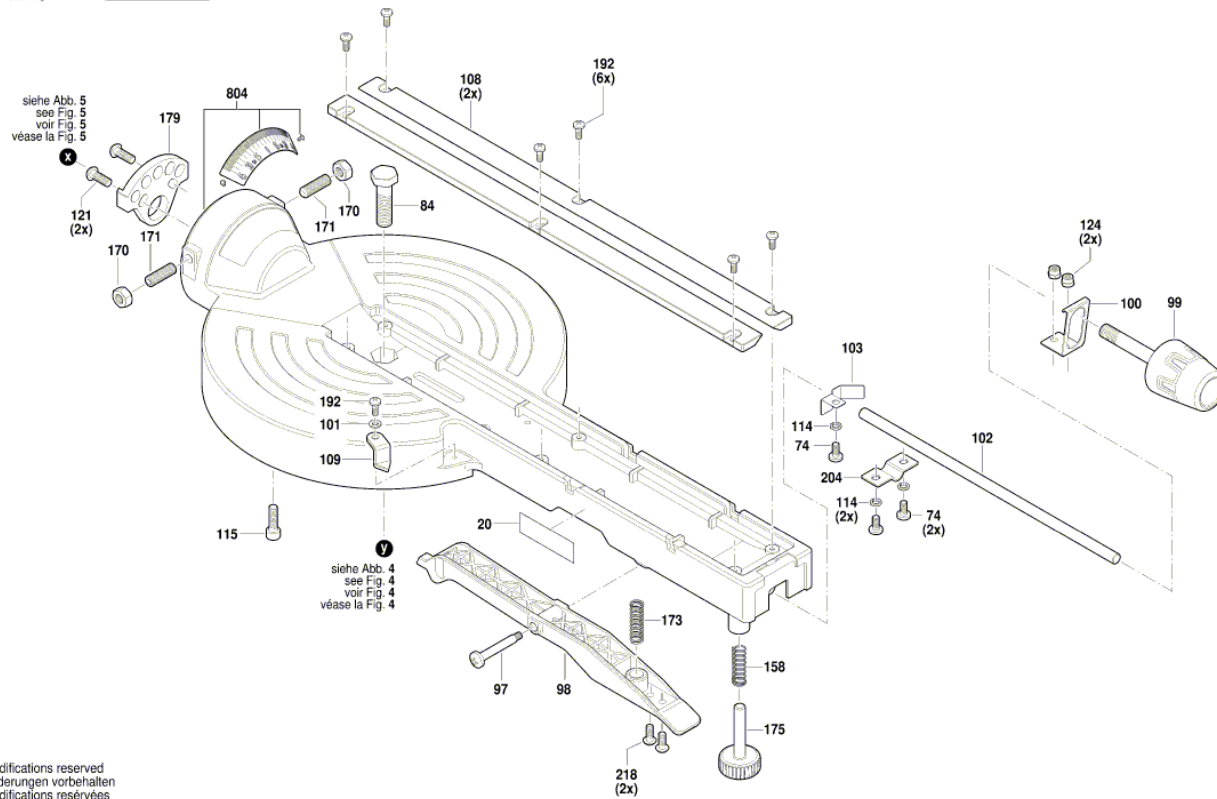


Modifications reserved
Änderungen vorbehalten
Modifications réservées
Salvo modificaciones

Illustration - Type - E

3 601 M51 100
Issue |
Stand |

Fig./Abb. 3



Modifications reserved
Änderungen vorbehalten
Modifications réservées
Salvo modificaciones

Illustration - Type - E

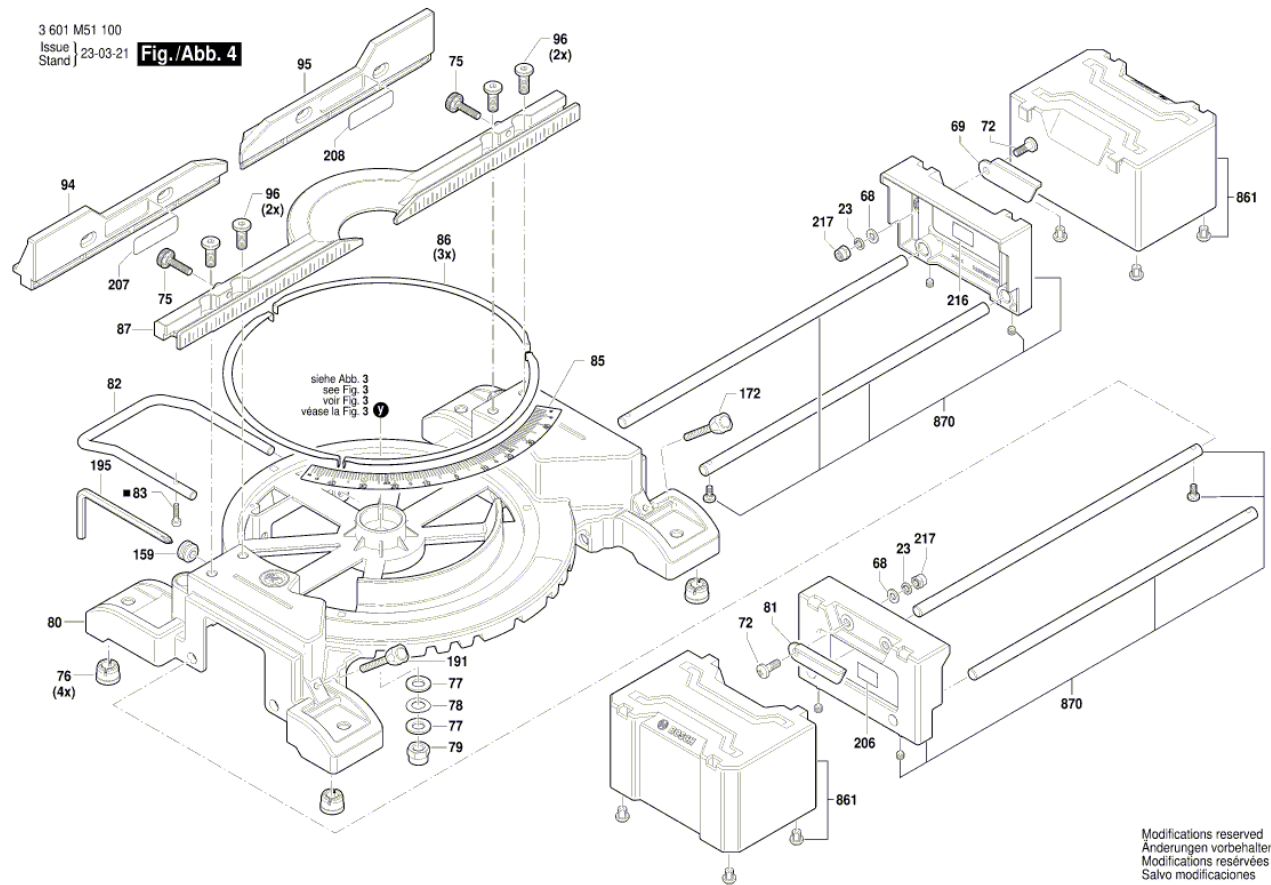


Illustration - Type - E

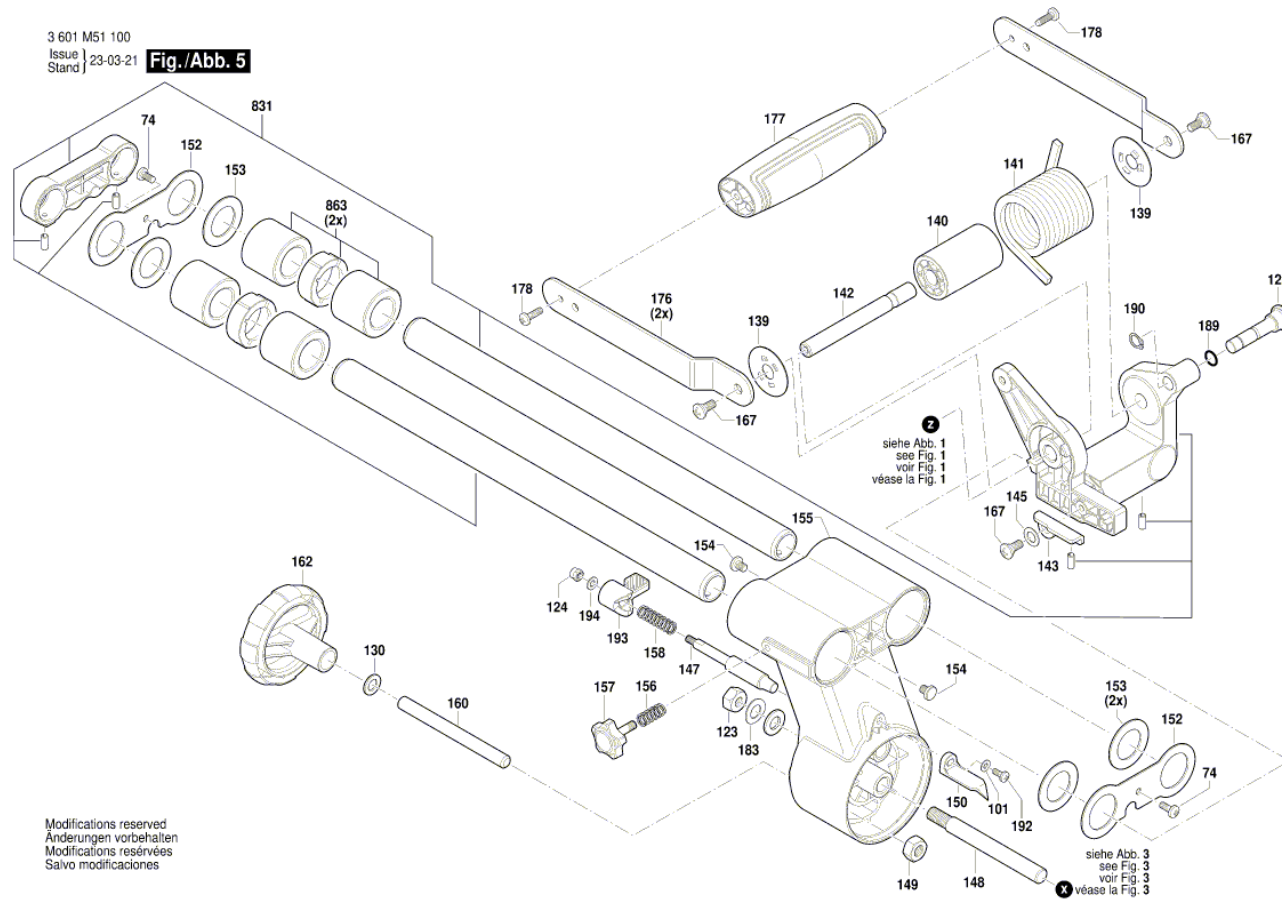
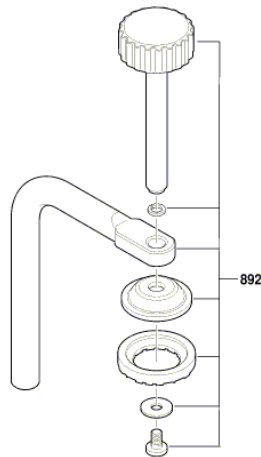


Illustration - Type - E

3 601 M51 100
 Issue | 23-03-21
 Stand | **Fig./Abb. 6**

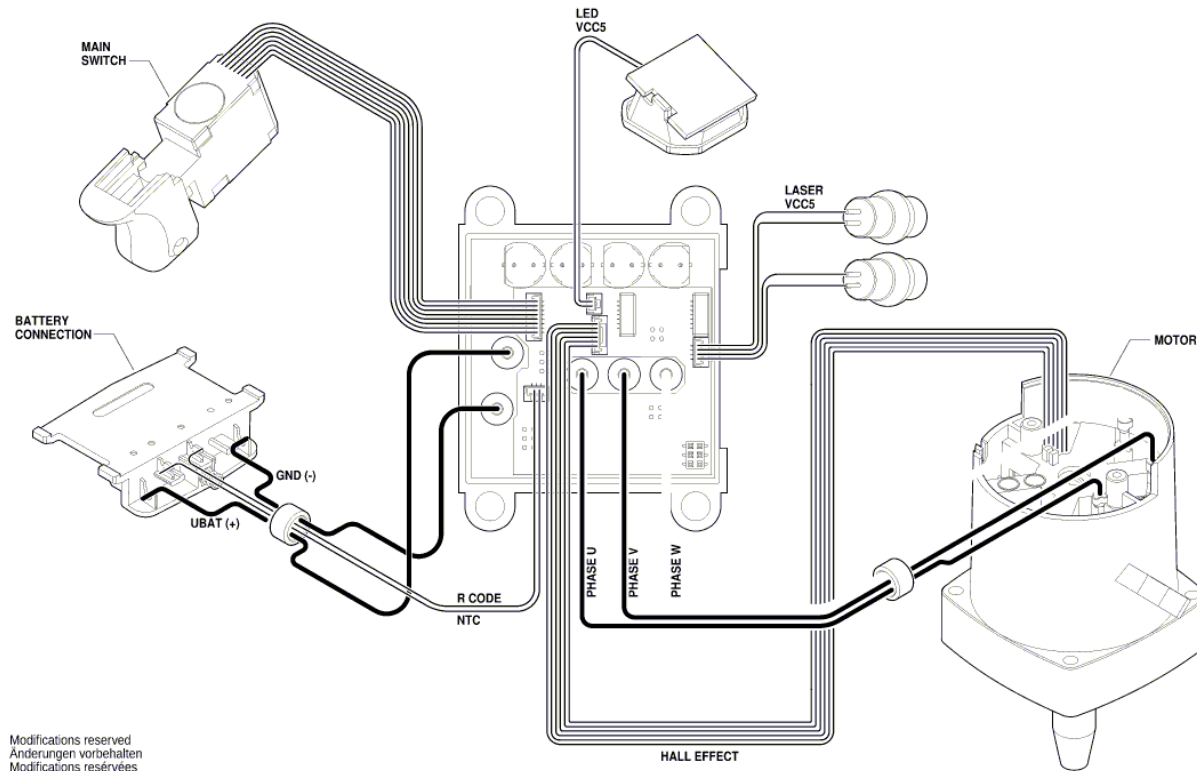


Pos.	Anzugsmomente Torque values C couple de serrage Pares de apriete
19	= 2,5 - 2,8 Nm
22	= 4,8 - 6,4 Nm
32	= 0,35 - 0,5 Nm
44	= 0,9 - 1,3 Nm
49	= 1,3 - 1,8 Nm
57	= 1,2 - 1,5 Nm
58	= 2,7 - 3,6 Nm
74	= 2,7 - 3,6 Nm
83	= 0,9 - 1,3 Nm
83	= 1,3 - 1,8 Nm
96	= 11,0 - 15,0 Nm
97	= 4,8 - 6,4 Nm
115	= 4,8 - 6,4 Nm
120	= 4,8 - 6,4 Nm
121	= 4,8 - 6,4 Nm
132	= 2,7 - 3,6 Nm
137	= 12,5 - 15,0 Nm
149	= 12,0 - 15,0 Nm
167	= 2,7 - 3,6 Nm
169	= 0,6 - 1,0 Nm
170	= 7,5 - 10,0 Nm
174	= 1,3 - 1,8 Nm
178	= 2,2 - 2,8 Nm
182	= 1,3 - 1,8 Nm
184	= 0,6 - 1,0 Nm
192	= 0,9 - 1,3 Nm
196	= 0,9 - 1,3 Nm
218	= 1,8 - 2,7 Nm

Modifications reserved
 Änderungen vorbehalten
 Modifications réservées
 Salvo modificaciones

Illustration - Type - E

3 601 M51 100
Issue | 23-03-21
Stand | **Fig./Abb. 7**



Modifications reserved
Änderungen vorbehalten
Modifications réservées
Salvo modificaciones