



BOSCH

Slide Mitre Saw

GCM 800 S | 3 601 L16 180

Table of Content

Spare parts list.....	2
Illustration - Type.....	7

Spare parts list

Item	Part Number	Description
1	1 619 P03 493	Motor Housing
2	1 619 P03 494	Field 230V
3	1 619 P03 495	Armature 230V
4	1 619 P03 496	Switch
7	1 619 P03 499	Clamp
8	1 619 P05 755	Label
12	1 619 P03 501	Motor Capacitor
13	1 619 P03 502	Bearing
14	1 619 P03 503	Bearing
15	1 619 P03 504	Fan
16	1 619 P03 505	Brush Holder
17	1 619 P04 814	Washer
19	1 619 P03 506	Screw
20	1 619 P04 792	Warning Label
30	1 619 P03 516	Safety Cover
31	1 619 P03 517	Housing Cover
32	1 619 P03 518	Handle
33	1 619 P03 519	Handle Cover
34	1 619 P03 520	Torsion Spring
35	1 619 P03 521	Plate
38	1 619 P03 523	Protective Cover
39	1 619 P03 524	Plate
40	1 619 P03 525	Linkage
52	1 619 P03 537	Bearing Cover Plate
57	1 619 P03 542	Torsion Spring
58	1 619 P03 543	Sleeve
59	1 609 203 J19	Toothed Gear
60	1 619 P03 544	Inner Disc
61	1 619 P03 545	Brush-Cover
65	1 619 P03 605	Screw
66	1 619 P03 606	Screw
68	1 619 P03 481	Flange
69	1 619 P03 482	Bolt
70	1 619 P03 608	Screw
77	1 619 P03 613	Self-locking nut

Spare parts list

Item	Part Number	Description
86	1 619 P03 615	Screw
88	1 619 P03 617	Washer
89	1 619 P03 618	Screw
90	1 619 P03 619	Screw
91	1 619 P03 556	Ball Bearing
92	1 619 P03 557	Key
93	1 619 P03 620	Spring retaining ring
94	1 619 P03 621	Spring retaining ring
95	1 619 P03 558	Needle-Roller Bearing
104	1 619 P03 629	Screw
105	1 619 P03 630	Screw
107	1 619 P03 631	Screw
108	1 619 P03 632	Screw
127	1 619 P03 572	Cover
128	1 619 P03 573	Plate
129	1 619 P03 642	Screw
130	1 619 P03 643	Self-locking nut
131	1 619 P03 574	Plate
136	1 619 P04 808	Cover
138	1 619 P03 486	Cover
154	1 619 P03 654	Nut
173	1 619 P03 662	Screw
175	1 619 P04 811	Housing
176	1 619 P03 664	Screw
177	1 619 P03 665	Screw
178	1 619 P03 666	Screw
179	1 619 P03 667	Screw
182	1 619 P03 671	Nut
183	1 619 P03 595	Air-Deflector Ring
187	1 619 P03 597	On-Off Switch
188	1 619 P03 589	Housing
189	1 619 P03 690	Plain Washer
192	1 619 P03 598	Spring
193	1 619 P03 483	Cable Set
200	1 619 P03 716	Bearing Cover

Slide Mitre Saw | GCM 800 S | 3 601 L16 180

Spare parts list

Item	Part Number	Description
204	1 619 P03 694	Pivot Shaft
205	1 619 P03 695	Compression Spring
206	1 619 P03 696	Plain Washer
207	1 619 P03 697	Knob
208	1 619 P03 698	Bolt
209	1 619 P03 699	Headless Screw
210	1 619 P03 700	Shaft
214	1 619 P03 712	Arm
217	1 619 P03 971	Wear Plate
810	1 619 P04 451	Carbon-Brush Set
815	1 619 P03 706	Lever
820	1 619 P03 708	Locking Pin
844	1 619 P03 710	Roller
5	1 619 P05 579	Power supply cord
6	1 619 P04 806	Grommet
25	1 619 P03 511	Pivot
26	1 619 P03 512	Handle
27	1 619 P03 513	Handle
28	1 619 P03 514	Handle
29	1 619 P03 515	Support Plate
45	1 619 P03 530	Retaining Plate
46	1 619 P05 009	Knob
47	1 619 P03 532	Pointer
55	1 619 P03 540	Ball Bearing
56	1 619 P03 541	Sliding Rail
78	1 619 P03 614	Screw
79	1 619 P03 549	Seal
80	1 619 P03 550	Rubber Pad
81	1 609 B03 755	Knob
82	1 619 P03 552	Contact strap
83	1 619 P03 553	Detent Pin
84	1 619 P03 554	Retaining Pin
85	1 619 P03 555	Spring retaining ring
96	1 619 P03 622	Screw
98	1 619 P03 559	Screw

Slide Mitre Saw | GCM 800 S | 3 601 L16 180

Spare parts list

Item	Part Number	Description
100	1 619 P03 625	Screw
101	1 619 P03 623	Screw
109	1 619 P03 633	Screw
111	1 619 P03 634	Washer
112	1 619 P03 635	Self-locking nut
115	1 619 P03 637	Washer
116	1 619 P03 565	Lever
120	1 619 P03 638	Washer
121	1 619 P03 569	Toggle
122	1 619 P03 570	Contact strap
123	1 619 P03 571	Ball Bearing
124	1 619 P03 639	Screw
125	1 619 P03 485	Clamping Piece
159	1 619 P04 809	Housing
162	1 619 P04 810	Housing
168	1 619 P03 658	Screw
169	1 619 P03 659	Screw
172	1 619 P03 661	Junction Box
194	1 619 P03 693	Cover
22	1 619 P03 508	Base
23	1 619 P03 509	Table
24	1 619 P03 510	Mitre Fence
37	1 619 P03 522	Pressure Plate
41	1 619 P03 526	Locking Lever
42	1 619 P03 527	Contact strap
43	1 619 P03 528	Tension Rod
48	1 619 P03 533	Pointer
49	1 619 P03 534	Scale
50	1 619 P03 535	Offset Screwdriver
51	1 619 P03 536	Rubber Bushing
53	1 619 P03 538	Sliding Plate
54	1 619 P03 539	Shaft
64	1 619 P03 587	Self-locking nut
71	1 619 P03 609	Washer
72	1 619 P03 547	Hex Screw

Spare parts list

Item	Part Number	Description
73	1 619 P03 610	Screw
75	1 619 P03 548	Rubber Bushing
76	1 619 P03 612	Screw
110	2 610 909 006	Warning Label
113	1 619 P03 636	Screw
114	1 619 P03 564	Bolt
211	1 619 P03 701	Plate
213	1 619 P03 703	Rod
216	1 619 P03 720	Knob
651	1 619 P05 772	Clamp
653/62	1 619 P03 546	Lengthening Piece
653/63	1 619 P03 563	Screw
817	1 619 P03 707	Adjustable Foot
836	1 619 P03 709	Insert

Illustration - Type - E

3 601 L16 100
 Issue |
 Stand | 11-01-18 **Fig./Abb. 1**

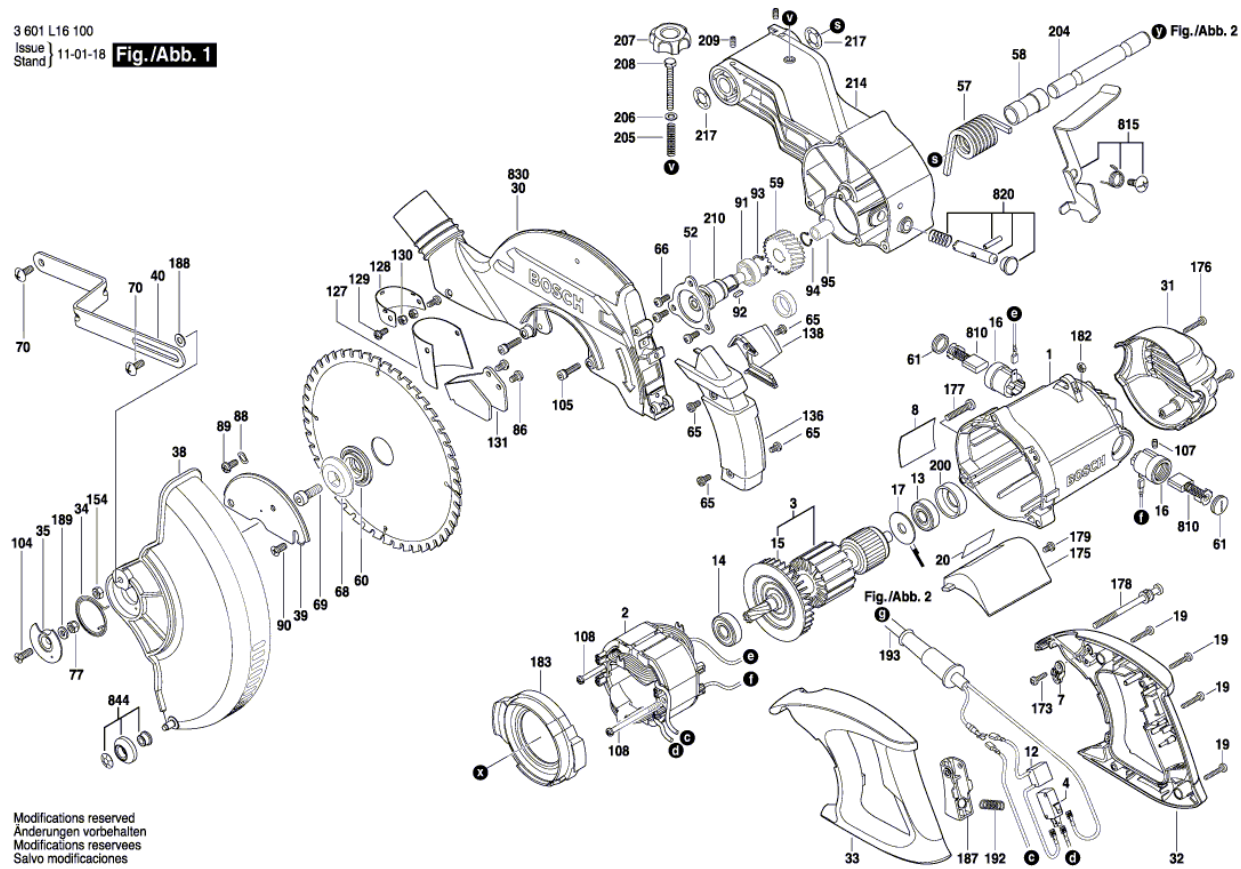


Illustration - Type - E

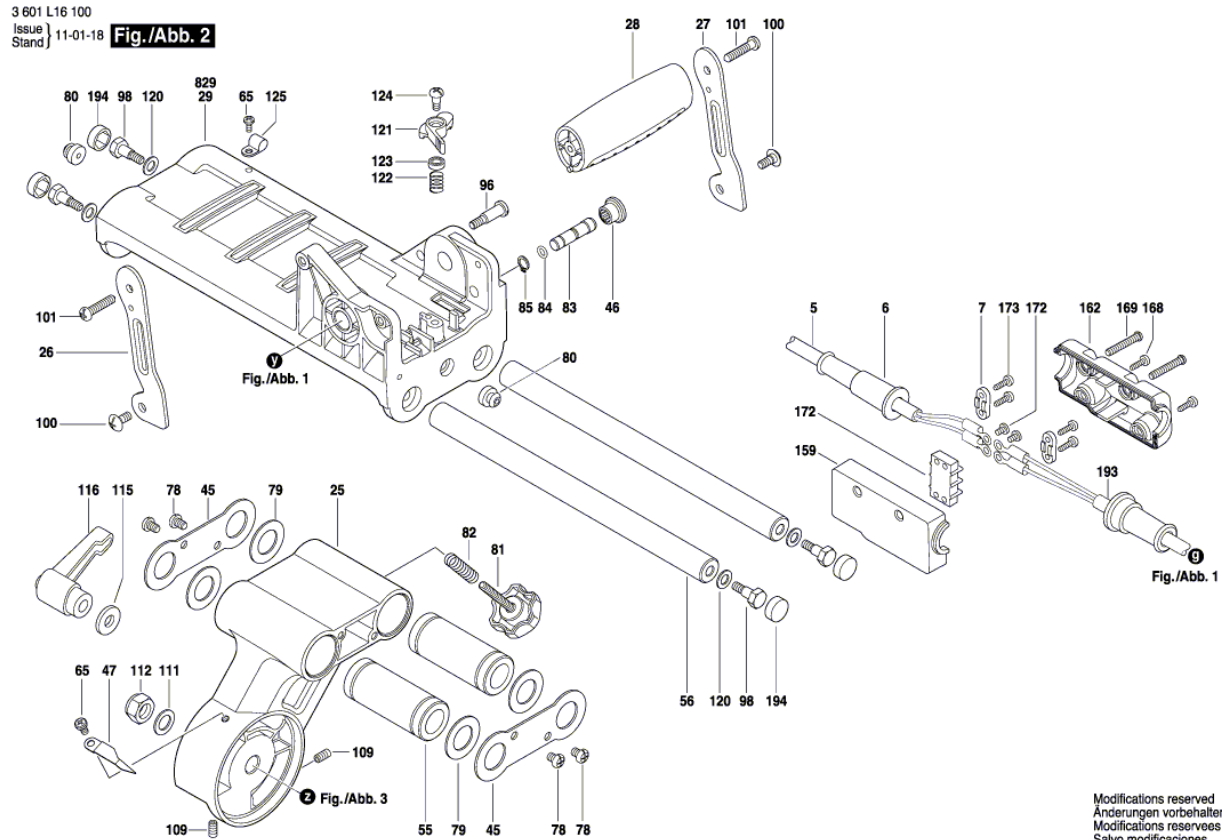


Illustration - Type - E

3 601 L16 100
 Issue | 11-01-18
 Stand | **Fig./Abb. 3**

