



**BOSCH**

# Marble Saw

GDC 140 | 3 601 CA0 080

---

## Table of Content

Spare parts list.....	2
Illustration - Type.....	4

## Spare parts list

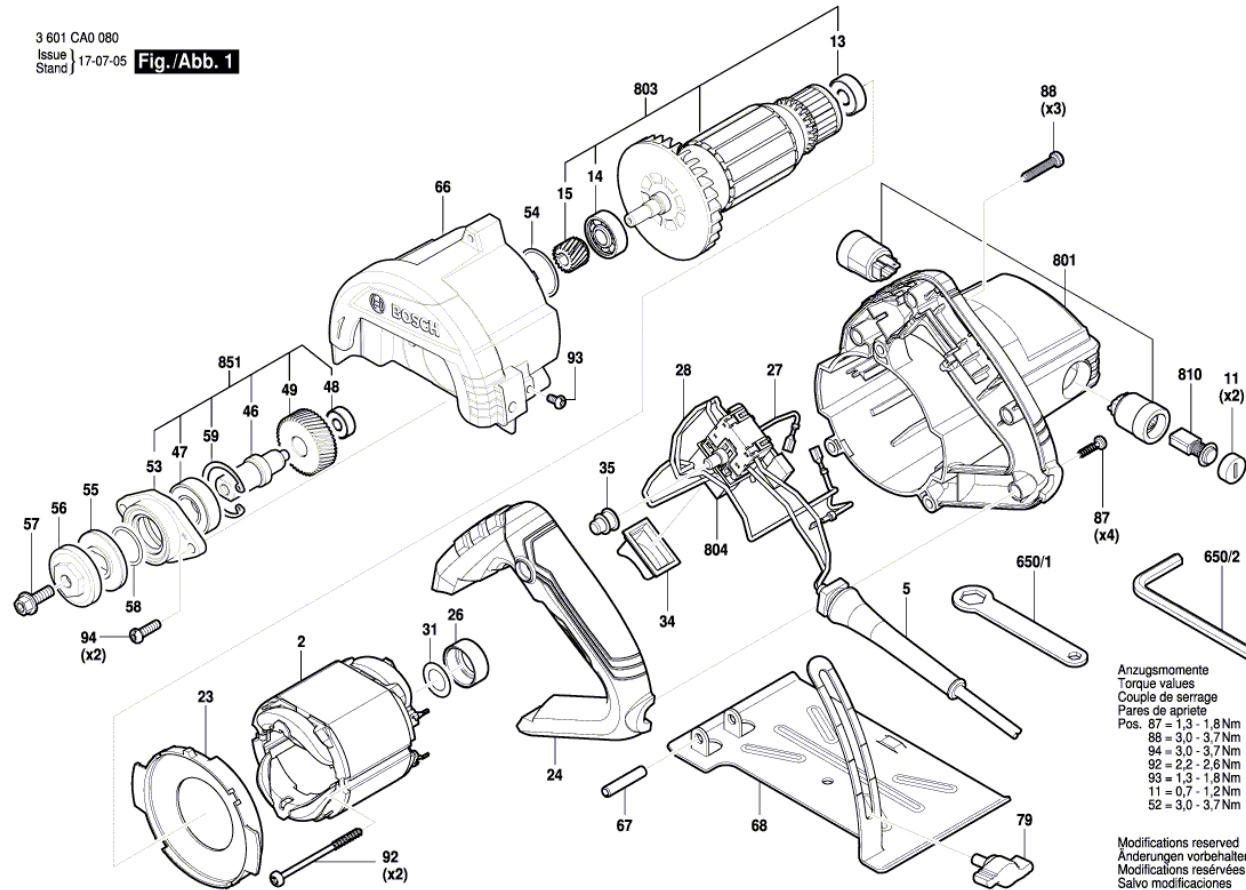
Item	Part Number	Description
2	1 619 P20 361	Field
5	1 619 P20 333	Power supply cord
11	1 619 P06 286	Insulating Cap
13	2 600 905 110	groove ball bearing 8x22x7
14	1 619 P10 651	groove ball bearing
15	1 619 P13 823	Pinion
23	1 619 P13 819	Baffle
24	1 619 P13 817	Handle
26	1 600 206 030	Rubber Ring
27	1 619 P07 060	Connecting Cable
28	1 619 P09 987	Connecting Cable
31	2 600 101 665	Shim washer 0,2 MM
34	1 619 P20 279	Protection cover
35	1 619 P20 329	Protection cover
46	1 619 P13 825	Output Shaft
47	2 610 015 361	groove ball bearing
48	1 619 P00 285	groove ball bearing
49	1 619 P13 824	Gear
53	1 619 P13 821	Flange
54	F 000 640 007	O-Ring
55	1 619 P13 830	Sealing washer
56	1 619 P13 831	Washer
57	1 619 P00 278	Hex Screw
58	1 619 P13 832	O-Ring
59	2 916 660 013	Retaining clip DIN 472-32x1,2 MM
66	1 619 P13 820	Upper guard
67	2 917 760 156	Slotted Spring Pin 6x32 DIN 1481
68	1 619 P13 826	Base Plate
79	1 619 P20 331	Wing Screw
87	2 603 490 022	Screw 4x16
88	1 619 P13 834	Screw
92	1 603 435 024	Tapping Screw C4,8x63 MM
93	2 603 410 048	Thread-forming tap. Screw M4x8
94	2 603 410 054	Thread-forming tap. Screw M 5x16
650/1	1 619 P20 278	Chuck Wrench

Spare parts list

Item	Part Number	Description	I
650/2	2 610 364 015	Hexagon Socket Screw Key 5 MM	
801	1 619 P20 374	Housing Set	
803	1 619 P20 375	Armature	
804	1 619 P20 376	Switch	
810	1 619 P20 377	Carbon Brush	
851	1 619 P20 378	spindle assembly	

Illustration - Type - E

3 601 CA0 080  
 Issue |  
 Stand | 17-07-05 **Fig./Abb. 1**



Anzugsmomente  
 Torque values  
 Couple de serrage  
 Pares de apriete  
 Pos. 87 = 1,3 - 1,8 Nm  
 88 = 3,0 - 3,7 Nm  
 94 = 3,0 - 3,7 Nm  
 92 = 2,2 - 2,6 Nm  
 93 = 1,3 - 1,8 Nm  
 11 = 0,7 - 1,2 Nm  
 52 = 3,0 - 3,7 Nm

Modifications reserved  
 Änderungen vorbehalten  
 Modificaciones reservées  
 Salvo modificaciones