



BOSCH

Marble Saw

GDM 13-34 | 3 601 C6A 280

Table of Content

| | |
|--------------------------|---|
| Spare parts list..... | 2 |
| Illustration - Type..... | 4 |

Spare parts list

| Item | Part Number | Description | |
|------|---------------|-------------------------------|--------------------|
| 2 | 1 619 P08 588 | Field | 230V |
| 5 | 1 604 460 256 | Power supply cord H05 RN-F | CN 2,65m 2 x 1,0mm |
| 6 | 2 600 703 012 | Grommet | Ø6,5-Ø6,9x95 MM |
| 7 | 2 601 035 001 | Cable Clip | |
| 11 | 1 619 P06 286 | Insulating Cap | |
| 12 | 1 619 P06 277 | Suppression Filter | |
| 13 | 2 600 905 032 | Ball Bearing | 7x19x6 |
| 14 | 1 619 P00 290 | groove ball bearing | |
| 15 | F 000 618 002 | Cylindrical Gear | |
| 19 | 2 603 490 022 | Screw | 4x16 |
| 23 | 1 619 P06 288 | Air-Deflector Ring | |
| 24 | 1 619 P06 289 | Handle Cover | |
| 26 | 1 619 P06 227 | Rubber Ring | |
| 27 | 1 619 P07 060 | Connecting Cable | |
| 28 | 1 619 P06 291 | Connecting Cable | |
| 29 | 1 619 P06 292 | Connecting Cable | |
| 30 | 1 619 P04 476 | Sealing disk | |
| 35 | 1 619 P06 293 | Protecting Cover | |
| 39 | 1 619 P07 448 | connecting terminal | |
| 46 | F 000 619 026 | Spindle | |
| 47 | 1 619 P00 352 | groove ball bearing | |
| 48 | 1 600 200 029 | Plain bearing | |
| 49 | F 000 617 024 | Cylindrical Gear | |
| 53 | 1 619 P07 061 | Bearing Flange | |
| 54 | F 000 640 007 | O-Ring | |
| 55 | F 000 640 008 | O-Ring | |
| 67 | 2 917 760 156 | Slotted Spring Pin | 6x32 DIN 1481 |
| 79 | 1 619 P06 316 | Wing Screw | |
| 88 | 1 619 P06 301 | Torx Oval-Head Screw | 5x38 |
| 94 | 1 619 P07 062 | Thread-Forming Screw | |
| 801 | 1 619 P07 455 | Housing Set | |
| 803 | 1 619 P06 303 | Armature set | 230V |
| 804 | 1 619 P09 074 | Switch | |
| 808 | 1 619 P06 951 | Nameplate | |

Spare parts list

| Item | Part Number | Description |
|---------|---------------|-------------------------------|
| 810 | 1 619 P06 304 | Carbon-Brush Set |
| 853 | 1 619 P07 457 | Spindle Assembly |
| 866 | 1 619 P08 845 | Gear Housing |
| 650/1 | 1 619 P06 295 | Washer |
| 650/2 | 1 619 P07 057 | Retaining Washer |
| 650/25 | 1 619 P00 278 | Hex Screw |
| 650/3 | 1 619 P00 281 | Chuck Wrench |
| 650/653 | 2 610 364 015 | Hexagon Socket Screw Key 5 MM |
| 851 | 1 619 P07 059 | Mitre Fence |

Illustration - Type - E

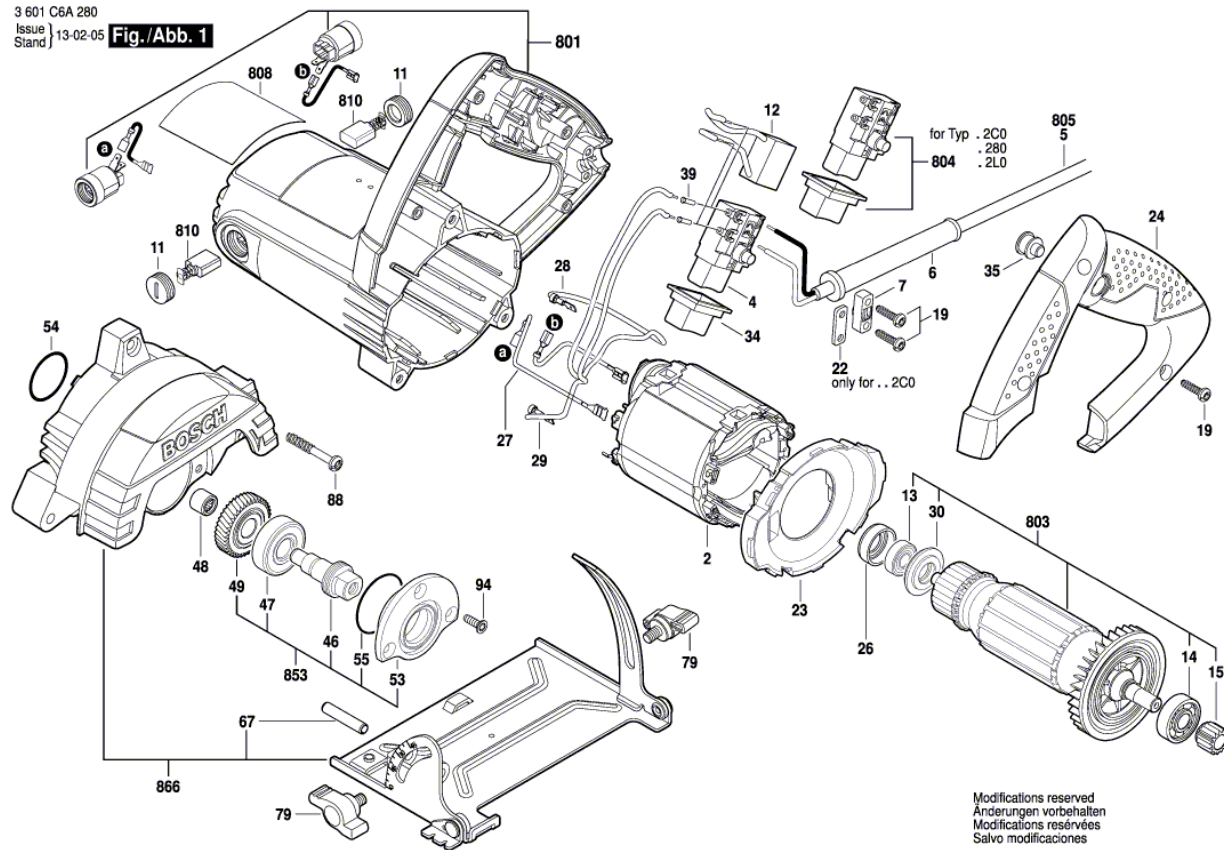
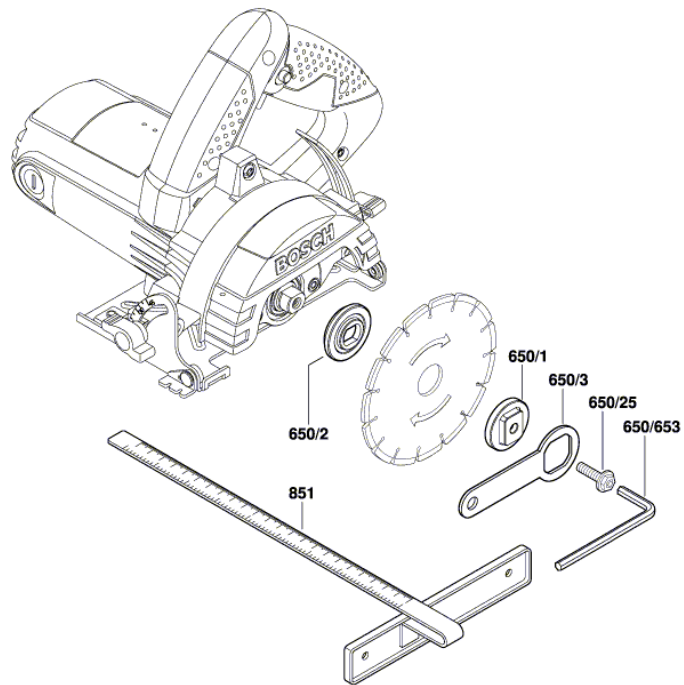


Illustration - Type - E

3 601 C6A 280
Issue |
Stand | 13-02-05 **Fig./Abb. 2**



Modifications reserved
Änderungen vorbehalten
Modifications réservées
Salvo modificaciones