



BOSCH

Impact Wrench

GDR 120-LI | 3 601 JF0 081

Table of Content

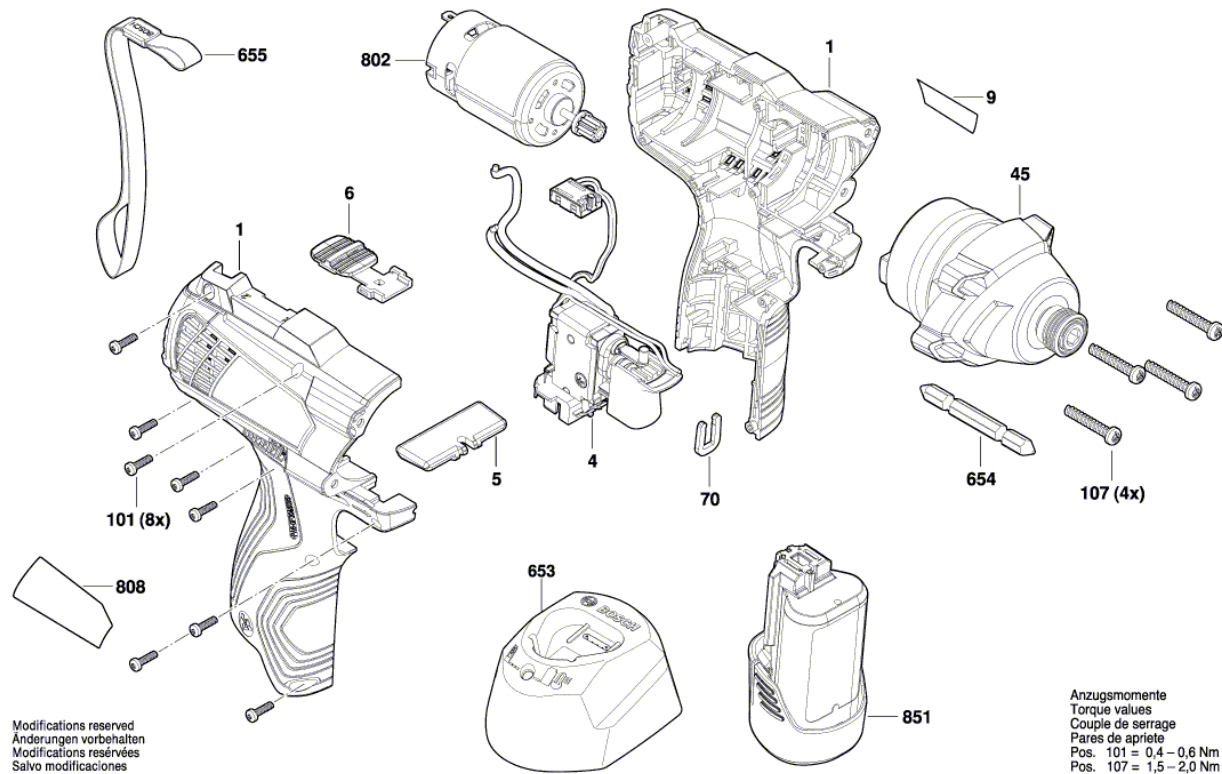
Spare parts list.....	2
Illustration - Type.....	3

Spare parts list

Item	Part Number	Description
1	2 609 101 534	Housing
4	2 607 202 312	Electronics Module
5	2 609 100 698	Button
6	2 609 101 661	Switchover Unit
9	2 609 136 058	Nameplate GDR 120-LI
45	1 600 A02 4GR	Gear Box
70	2 609 110 537	Clip
101	2 609 110 883	Screw
107	2 609 110 327	Screw
653	2 607 226 203	Fast Charger GAL 12V-20 220V/12V/2A
654	2 609 110 342	Screwdriver Blade
655	2 609 170 129	Carrying Loop
802	1 600 A02 6X6	Motor assembly
808	1 601 11A 8MF	Nameplate
851	1 607 A35 0C5	Battery Pack GBA 12V 2.0Ah Li SCM

Illustration - Type - E

3 601 JF0 000
 Issue | 16-04-06
 Stand | **Fig./Abb. 1**



Modifications reserved
 Änderungen vorbehalten
 Modifications réservées
 Salvo modificaciones

Anzugsmomente
 Torque values
 Couple de serrage
 Pares de apriete
 Pos. 101 = 0,4 – 0,6 Nm
 Pos. 107 = 1,5 – 2,0 Nm