



**BOSCH**

# Impact Wrench

GDR 14,4 V-LI | 3 601 JA1 480

---

## Table of Content

Spare parts list.....	2
Illustration - Type.....	3

## Spare parts list

Item	Part Number	Description
1	2 609 101 136	Housing
4	1 607 233 479	Electronics Module
5	2 609 100 698	Button
9	2 609 132 047	Manufacturer's nameplate      GDR 14,4V-LI
21	2 609 111 485	Wire Mesh
45	2 609 199 693	Gear Box
45/60	2 609 170 128	Cap
46	1 609 280 477	Compression Spring
91	1 607 A35 0B9	Battery Pack      EU GBA 14.4V 2.0Ah Li SCM
91	2 607 336 813	Battery Pack      BBS-MR XL-PACK 14,4V, LI, 4,0 Ah
100	2 609 110 833	Clip
101	2 609 110 201	Torx Flat-Head Screw      3x16
103	2 609 110 835	Nut
105	2 609 110 834	Screw
109	2 609 110 342	Screwdriver Blade
653	2 607 225 937	Charger      CN GAL 1880 CV 220V/14,4-18V
802	2 609 199 312	DC motor
802/33	2 609 170 104	O-Ring
804	1 609 280 474	Contact retainer
808	2 609 132 197	Nameplate
816	2 609 199 169	Carbon-Brush Set
848	2 609 199 190	Brush-Cover
849	2 609 199 223	Bit holder

Illustration - Type - E

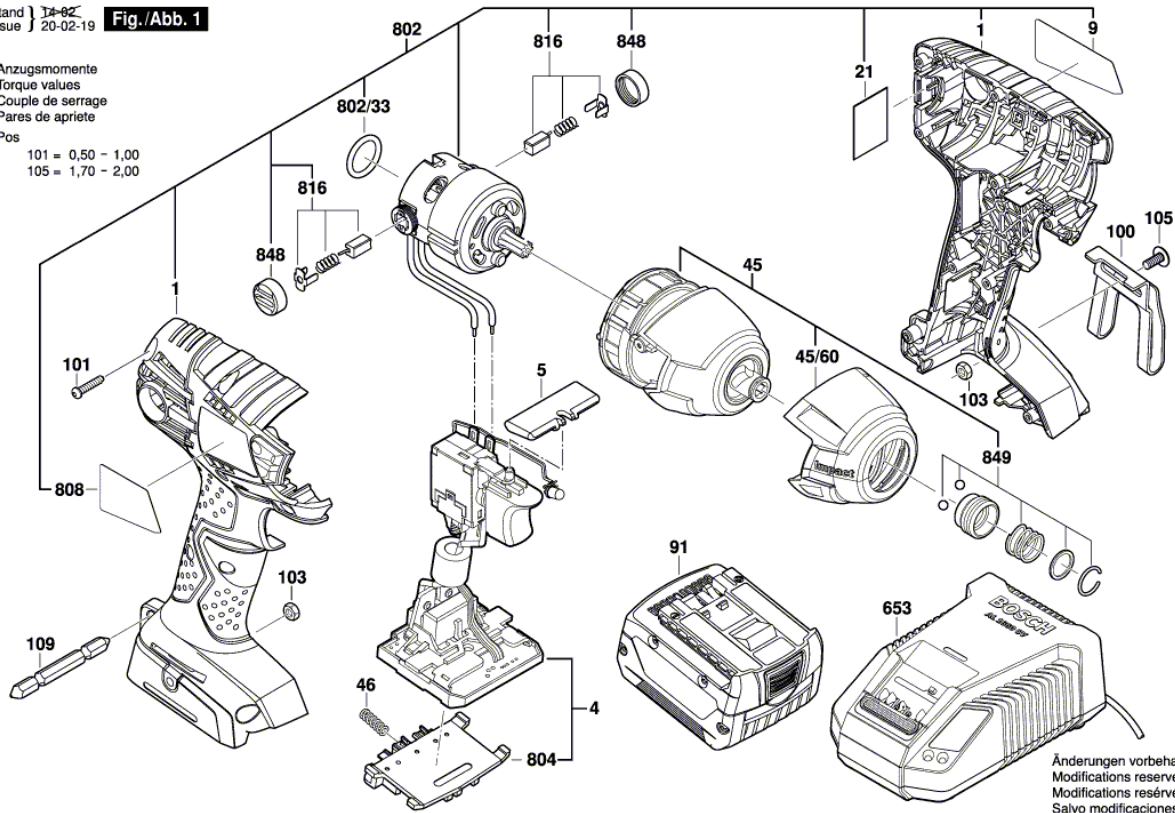
3 601 JA1 400  
 Stand } 14-82  
 Issue } 20-02-19

Fig./Abb. 1

Anzugsmomente  
 Torque values  
 Couple de serrage  
 Pares de apriete

Pos

101 = 0,50 - 1,00  
 105 = 1,70 - 2,00



Änderungen vorbehalten  
 Modifications reserved  
 Modifications réservées  
 Salvo modificaciones