



BOSCH

Impact Wrench

GDR 14,4 V-LI | 3 601 JA1 481

Table of Content

| | |
|--------------------------|---|
| Spare parts list..... | 2 |
| Illustration - Type..... | 3 |

Spare parts list

| Item | Part Number | Description | |
|-------------|--------------------|--------------------------|-------------------------------------|
| 1 | 2 609 101 136 | Housing | |
| 4 | 1 607 233 479 | Electronics Module | |
| 5 | 2 609 100 698 | Button | |
| 9 | 2 609 132 047 | Manufacturer's nameplate | GDR 14,4V-LI |
| 21 | 2 609 111 485 | Wire Mesh | |
| 45 | 2 609 199 693 | Gear Box | |
| 45/60 | 2 609 170 128 | Cap | |
| 46 | 1 609 280 477 | Compression Spring | |
| 91 | 1 607 A35 0B9 | Battery Pack | EU GBA 14.4V 2.0Ah Li SCM |
| 91 | 2 607 336 813 | Battery Pack Ah | BBS-MR XL-PACK 14,4V, LI, 4,0 Ah |
| 100 | 2 609 110 833 | Clip | |
| 101 | 2 609 110 201 | Torx Flat-Head Screw | 3x16 |
| 103 | 2 609 110 835 | Nut | |
| 105 | 2 609 110 834 | Screw | |
| 109 | 2 609 110 342 | Screwdriver Blade | |
| 653 | 2 607 225 937 | Charger | CN GAL 1880 CV 220V/14,4-18V |
| 802 | 2 609 199 275 | DC motor | 14,4V |
| 802/33 | 2 609 170 104 | O-Ring | |
| 804 | 1 609 280 474 | Contact retainer | |
| 808 | 2 609 132 557 | Nameplate | |
| 816 | 2 609 199 169 | Carbon-Brush Set | |
| 848 | 2 609 199 190 | Brush-Cover | |
| 849 | 2 609 199 223 | Bit holder | |

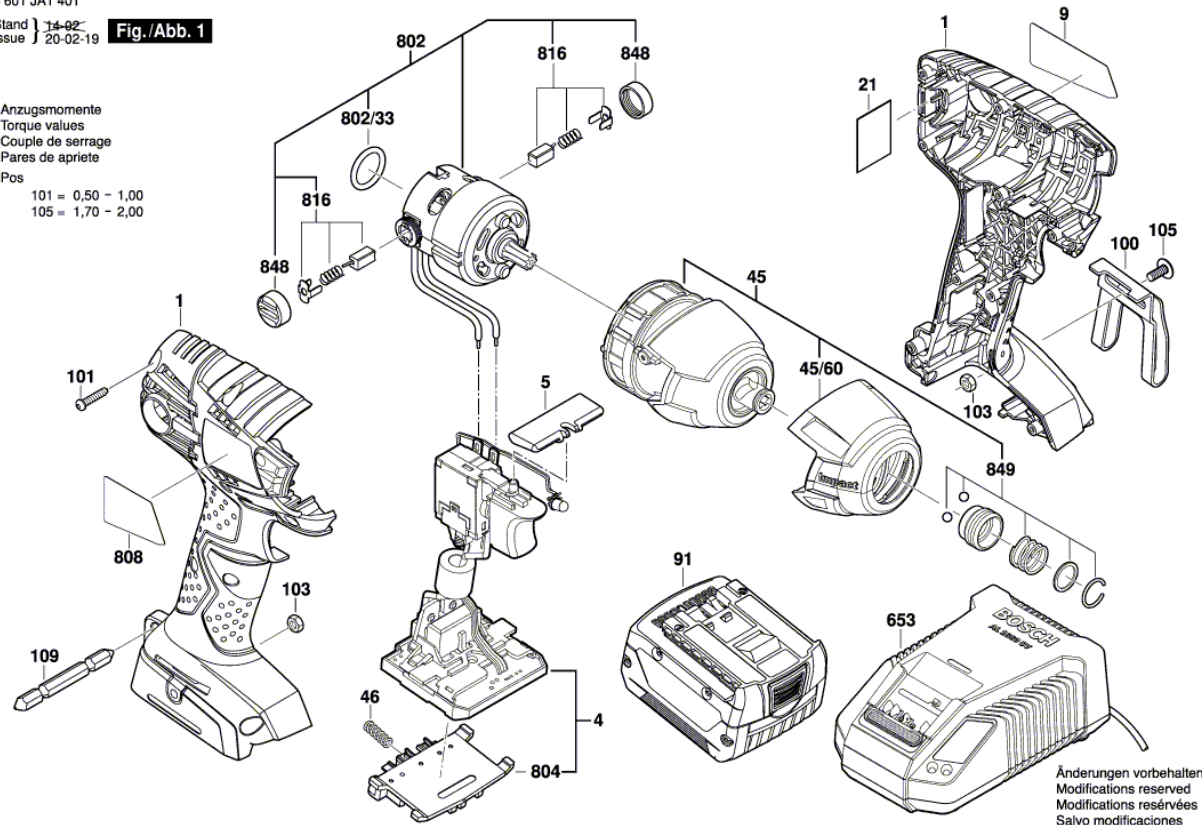
Illustration - Type - E

3 601 JA1 401
 Stand } 14-02
 Issue } 20-02-19

Fig./Abb. 1

Anzugsmomente
 Torque values
 Couple de serrage
 Pares de apriete

Pos
 101 = 0,50 - 1,00
 105 = 1,70 - 2,00



Änderungen vorbehalten
 Modifications reserved
 Modifications réservées
 Salvo modificaciones