



BOSCH

Impact Wrench

GDR 14,4 V-LI MF | 3 601 JA1 980

Table of Content

Spare parts list.....	2
Illustration - Type.....	3

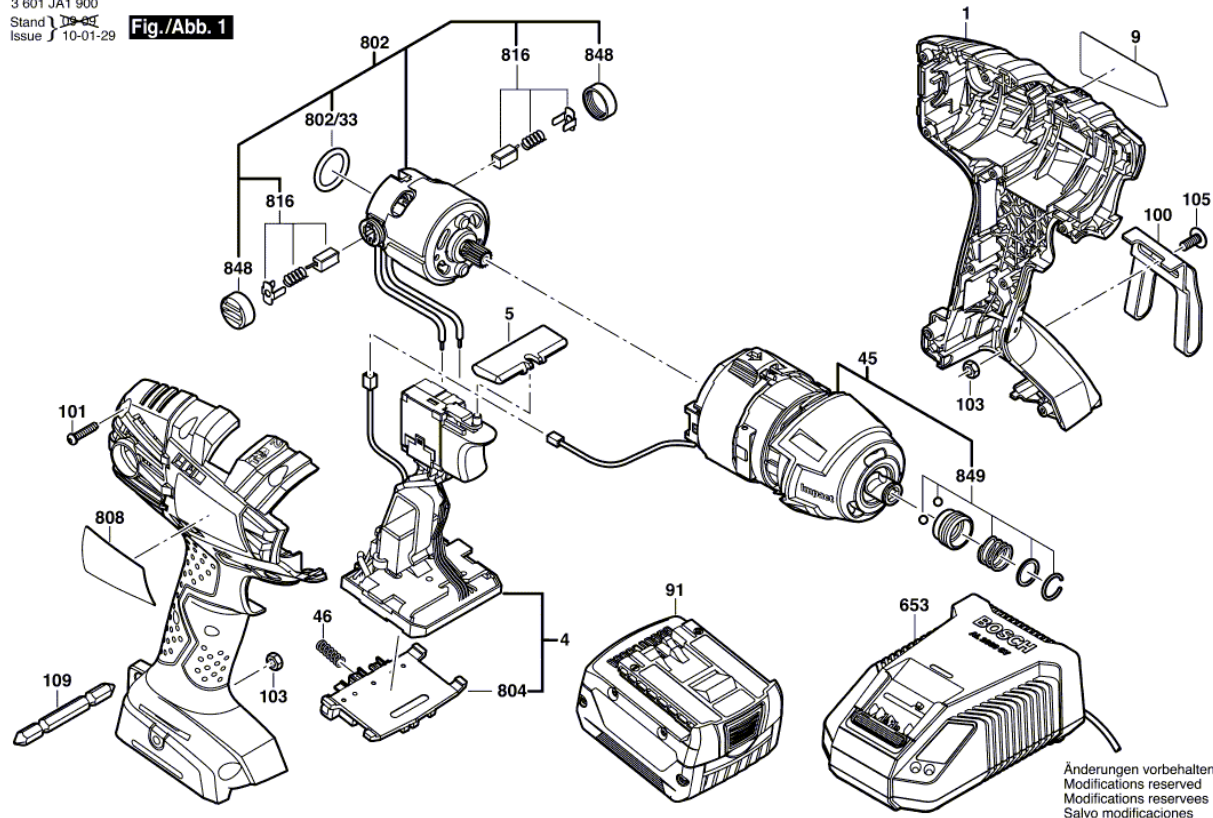
Spare parts list

Item	Part Number	Description
1	2 609 100 788	Housing BLUE
4	1 607 233 350	Electronic Assembly
5	2 609 100 698	Button
9	2 609 132 428	Manufacturer's nameplate GDR 14;4V-LI MF
45	2 609 199 230	Gear Box
46	1 609 280 477	Compression Spring
91	2 607 336 813	Battery Pack BBS-MR XL-PACK 14,4V, LI, 4,0 Ah
100	2 609 110 833	Clip
101	2 609 110 201	Torx Flat-Head Screw 3x16
103	2 609 110 835	Nut
105	2 609 110 834	Screw
109	2 609 110 342	Screwdriver Blade
653	2 607 225 937	Charger CN GAL 1880 CV 220V/14,4-18V
802	2 609 199 262	DC motor 14,4V
802/33	2 609 170 104	O-Ring
804	1 609 280 474	Contact retainer
808	2 609 132 415	Nameplate
816	2 609 199 169	Carbon-Brush Set
848	2 609 199 190	Brush-Cover
849	2 609 199 223	Bit holder

Illustration - Type - E

3 601 JA1 900
Stand } 10-01-29
Issue }

Fig./Abb. 1



Änderungen vorbehalten
Modifications reserved
Modifications reserves
Salvo modificaciones